



*The carronade was a short smoothbore, cast iron cannon, developed for the Royal Navy by the Carron Company, an ironworks in Falkirk, Scotland, UK. Also known as a smasher, it was used from the 1770s to the 1850s. Its main function was to serve as a powerful, short-range anti-ship and anti-crew weapon. While considered very successful early on, carronades eventually disappeared as long-range naval artillery led to fewer close-up engagements.*

*Model Built by Mike Rohrer*

*Materials Used:*

*Base - 1/2" thk. Plywood with 1/16" Trim Around Exposed Edges*

*Deck Planking - Basswood*

*Frame - Basswood*

*Side Planking - Yellow Hart*

*Sheer Rail - Walnut*

*Carronade - Ebony*

*Mobile Platform - Beech*

*Chock - Beech*

*Pedestal - Beech*

*Axel - Beech*

*Truck - Beech*

*Pillow Block - Beech*

*Elevation Turn Screw - Ebony with Beech Handle*

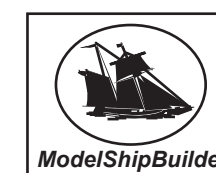
*Blocks - Yellow Hart*

*Breech Rope - Mason Line Dyed Brown*

*Optional -*

*(4) 3/4x3/4x1/8" thk. Beech Feet to the Base*

1/16 SCALE MODEL 3/4" = 1'-0"



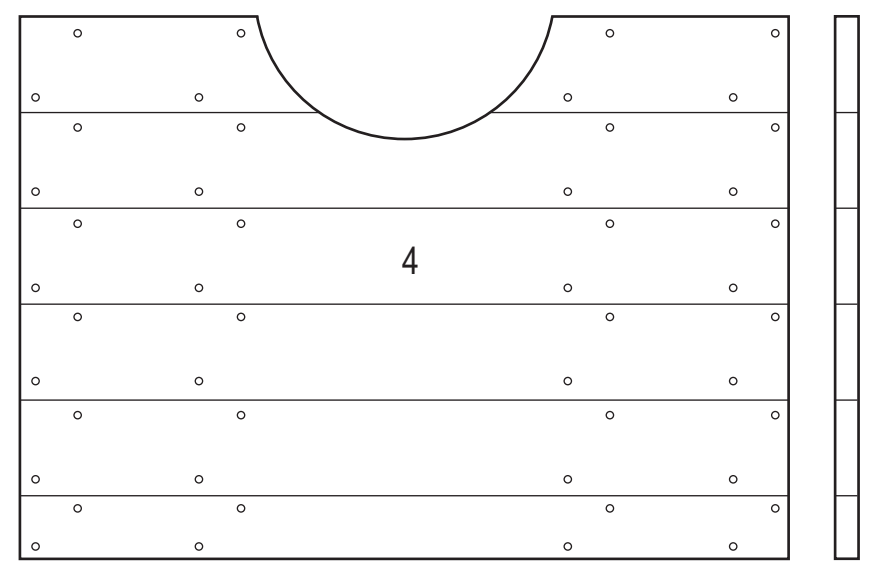
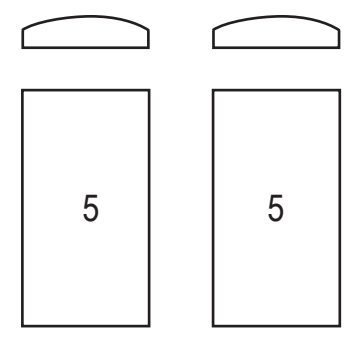
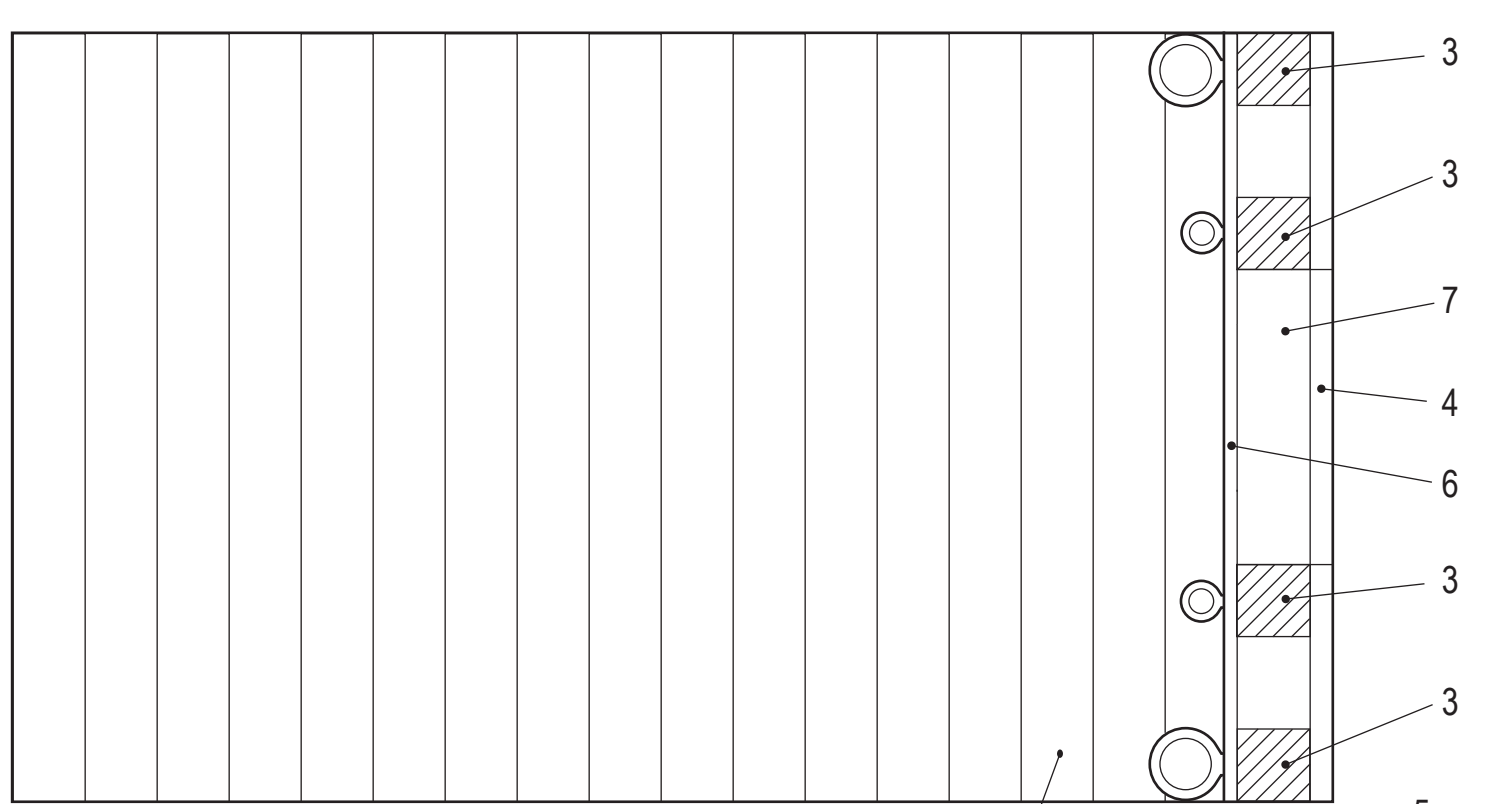
www.modelshipbuilder.com

**"THE SMASHER"**

**• 42 Pounder Carronade •**

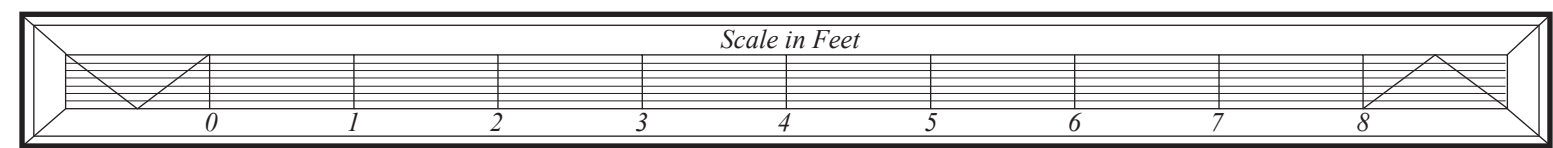
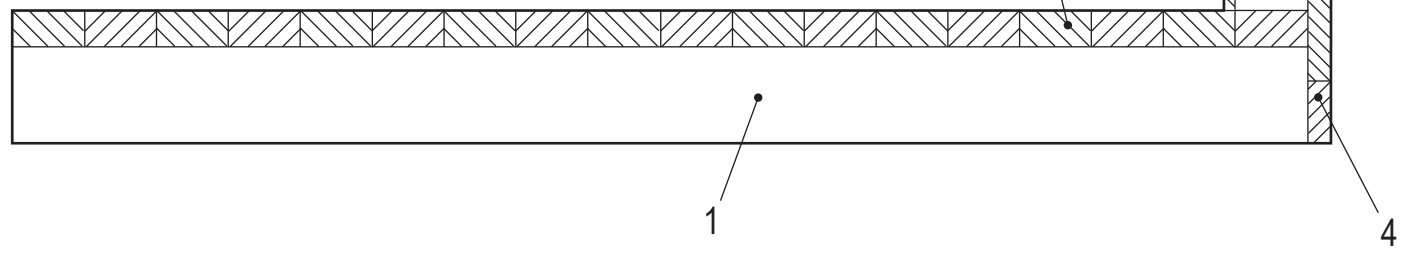
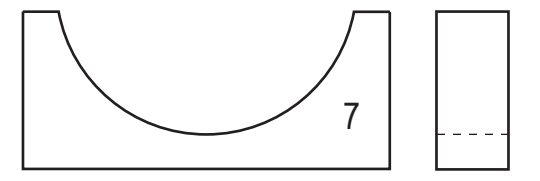
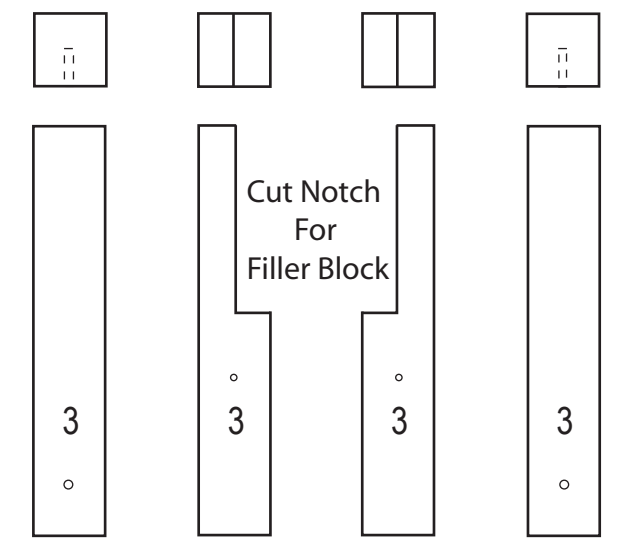
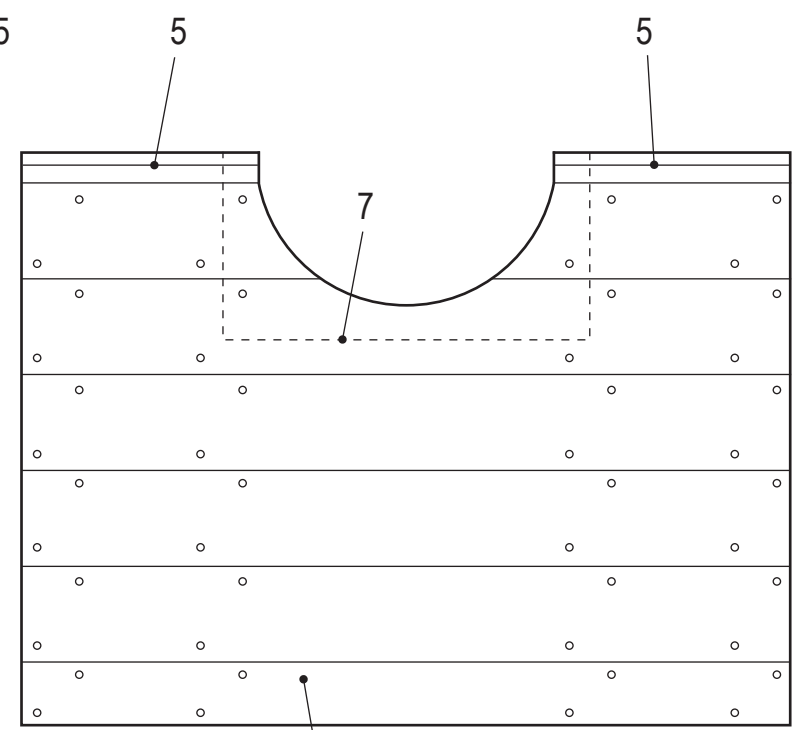
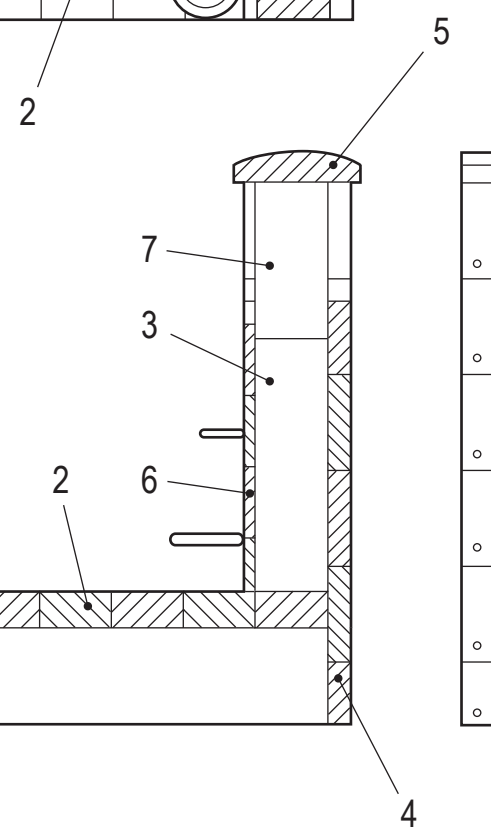
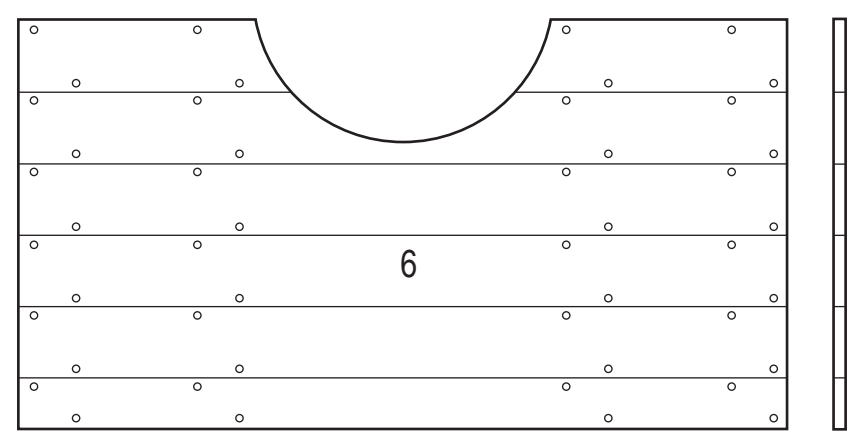
Drawn by Jeff Staudt - January, 2011





**BASE**

- 1. Base
- 2. Deck Planking
- 3. Frame
- 4. Side Planking
- 5. Sheer Rail
- 6. Lining
- 7. Filler Block

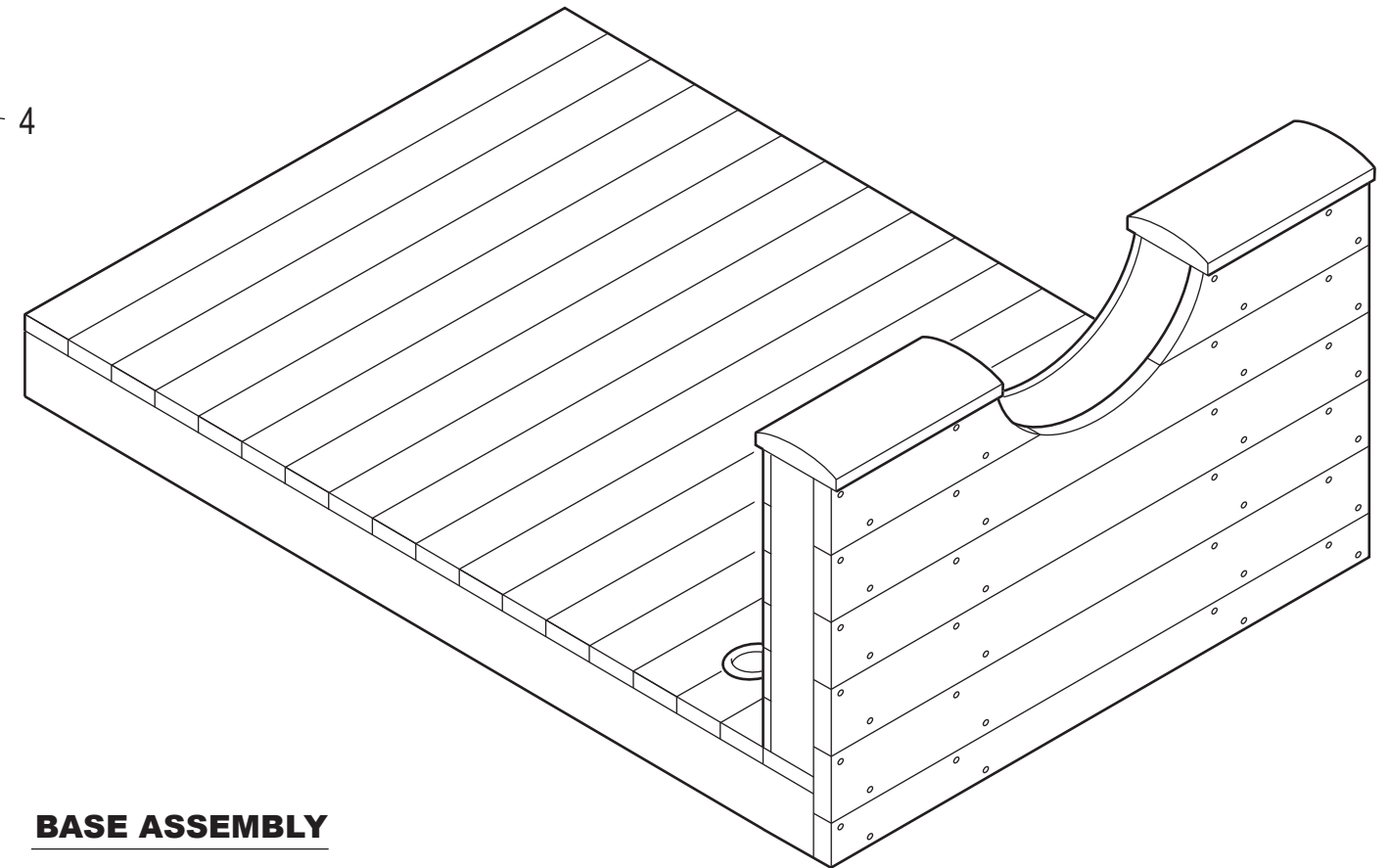
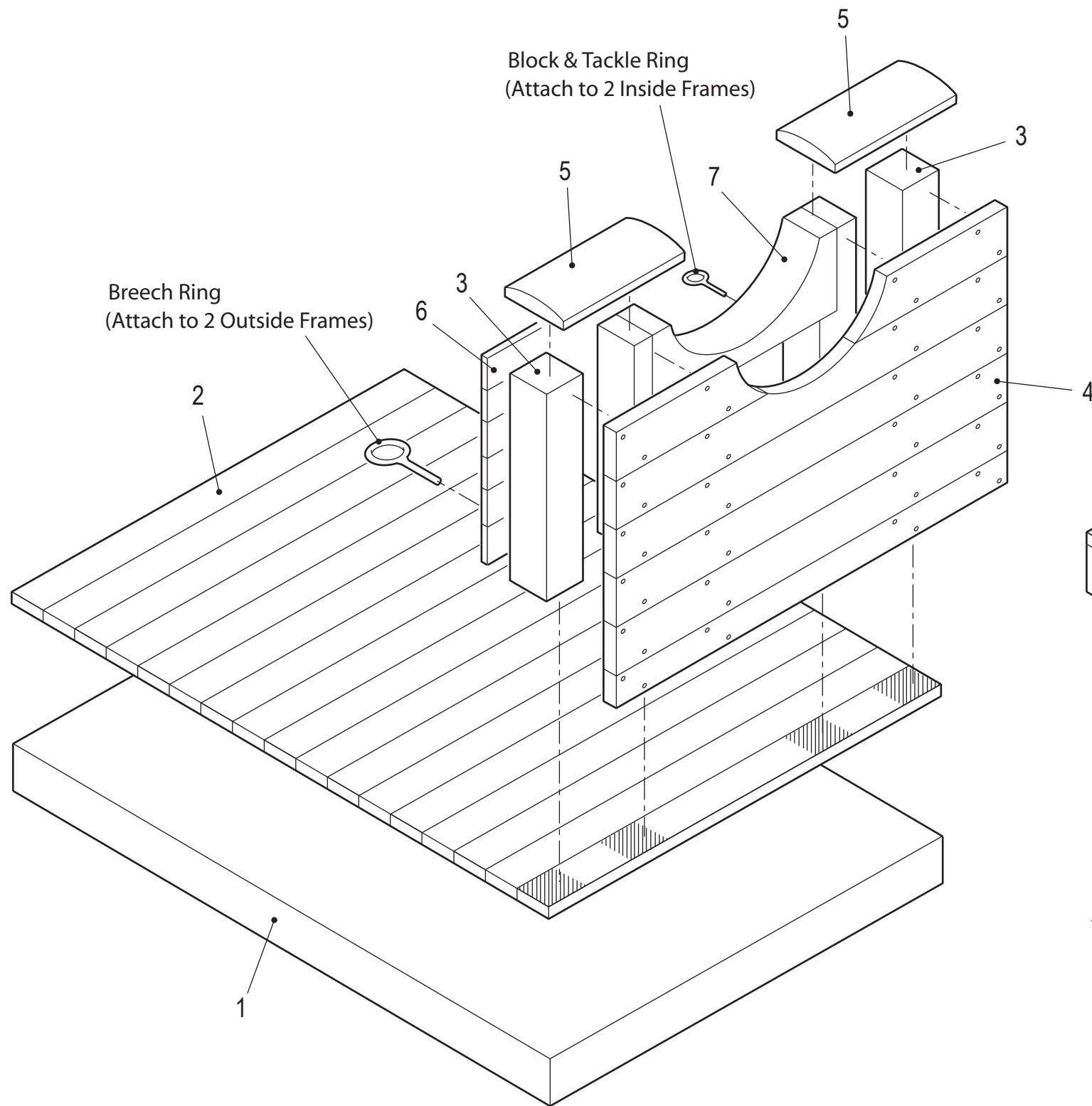


**“THE SMASHER”**

• 42 Pounder Carronade •

Drawn by Jeff Staudt - January, 2011





**BASE ASSEMBLY**

- 1. Base
- 2. Deck Planking
- 3. Frame
- 4. Side Planking
- 5. Sheer Rail
- 6. Lining
- 7. Filler Block



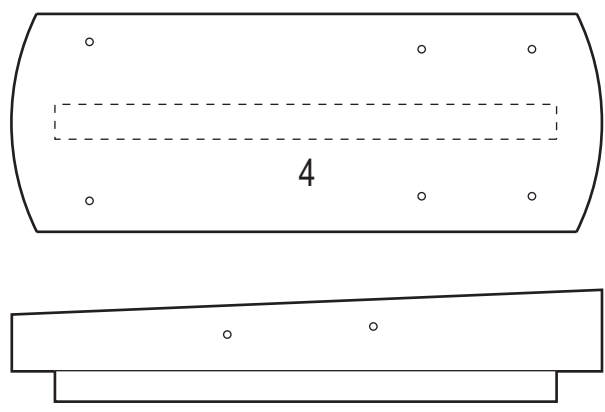
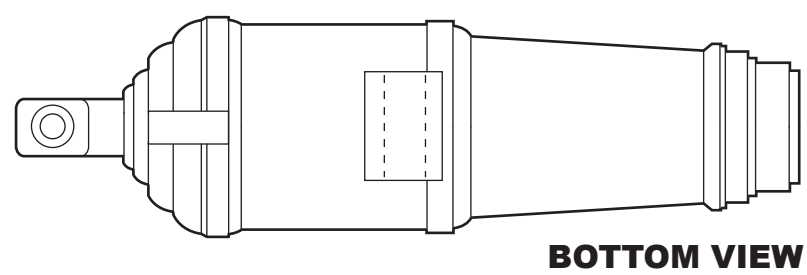
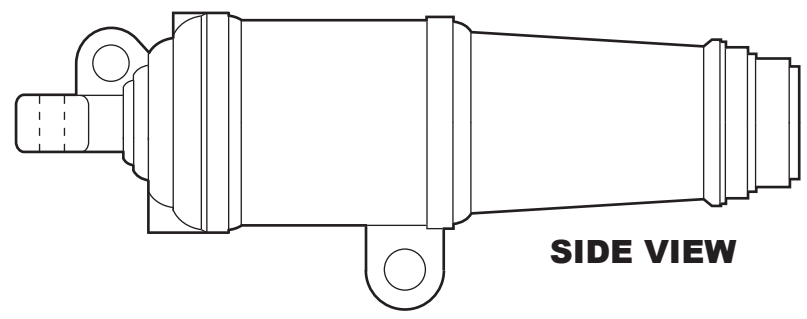
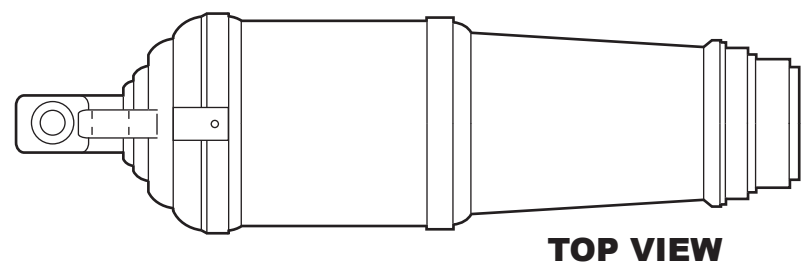
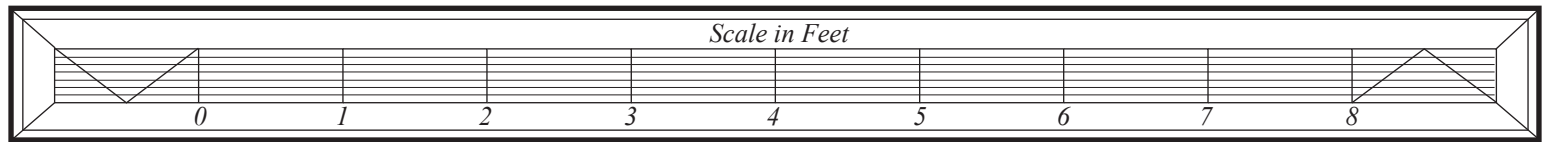
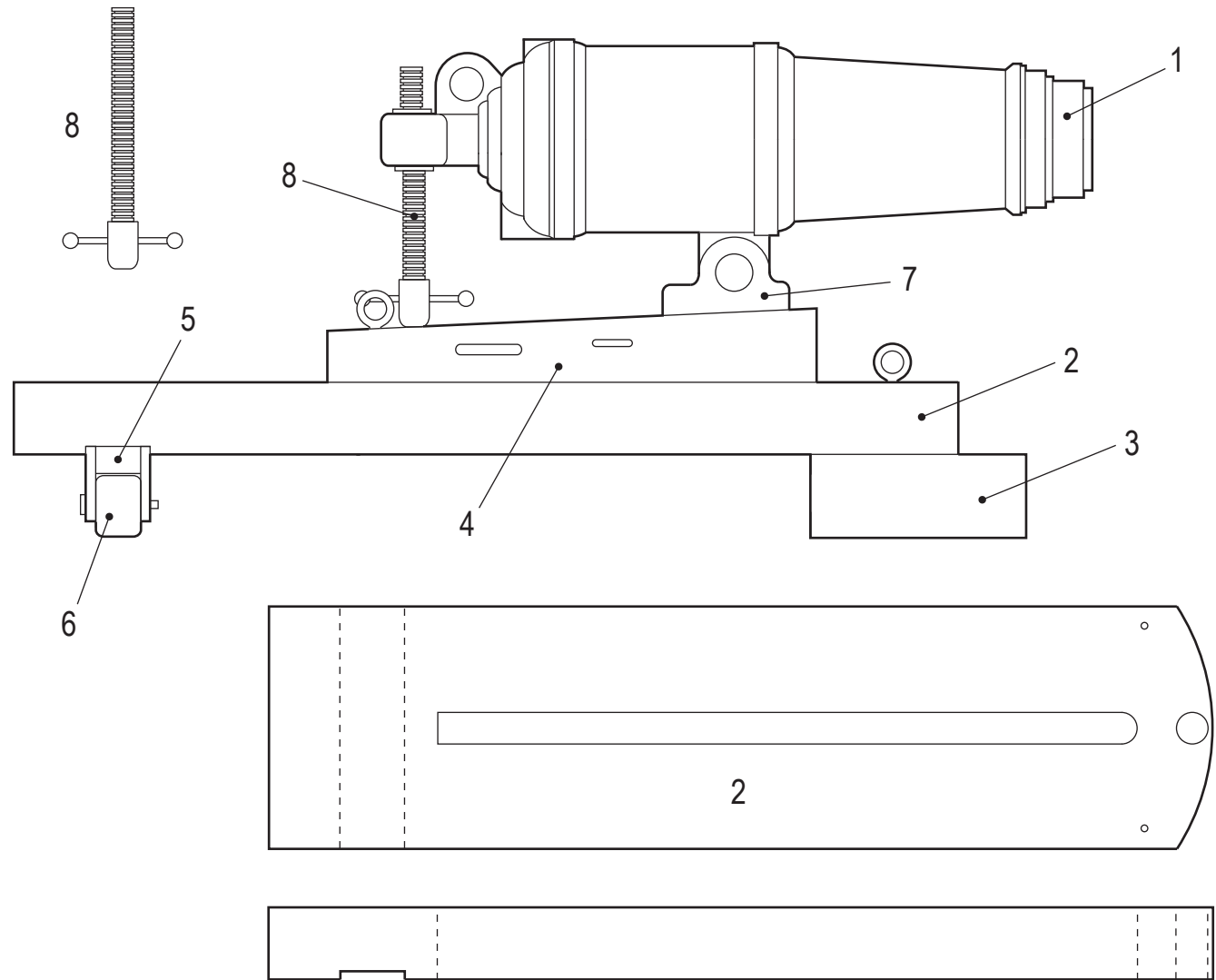
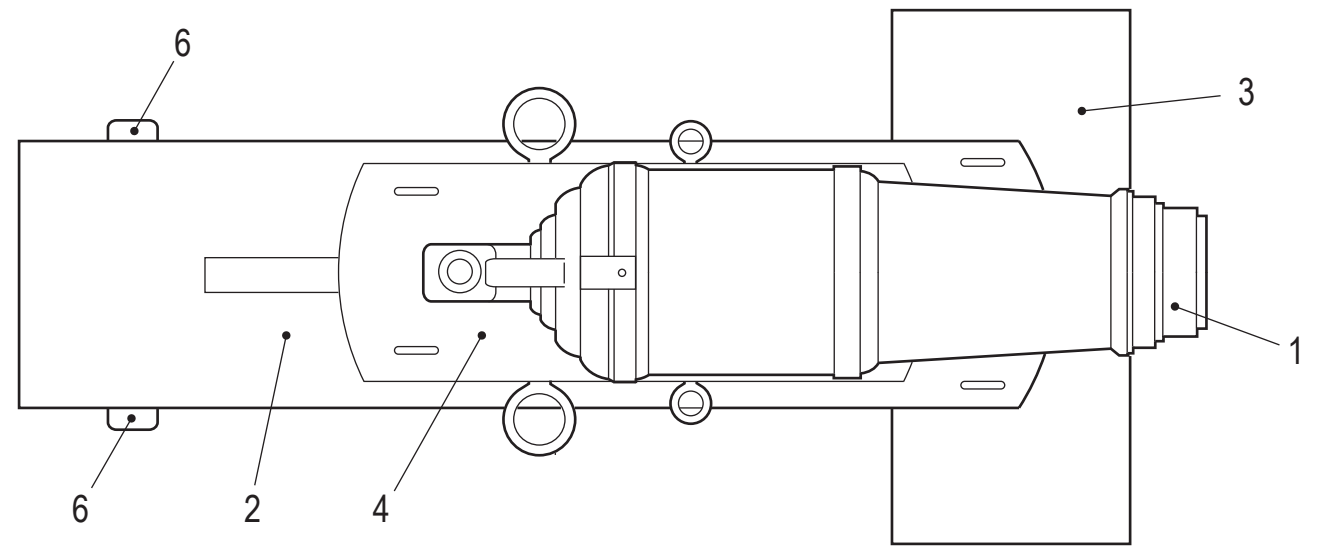
www.modelshipbuilder.com

**“THE SMASHER”**

**• 42 Pound Carronade •**

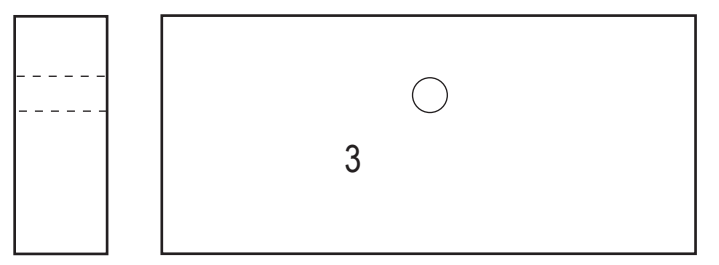
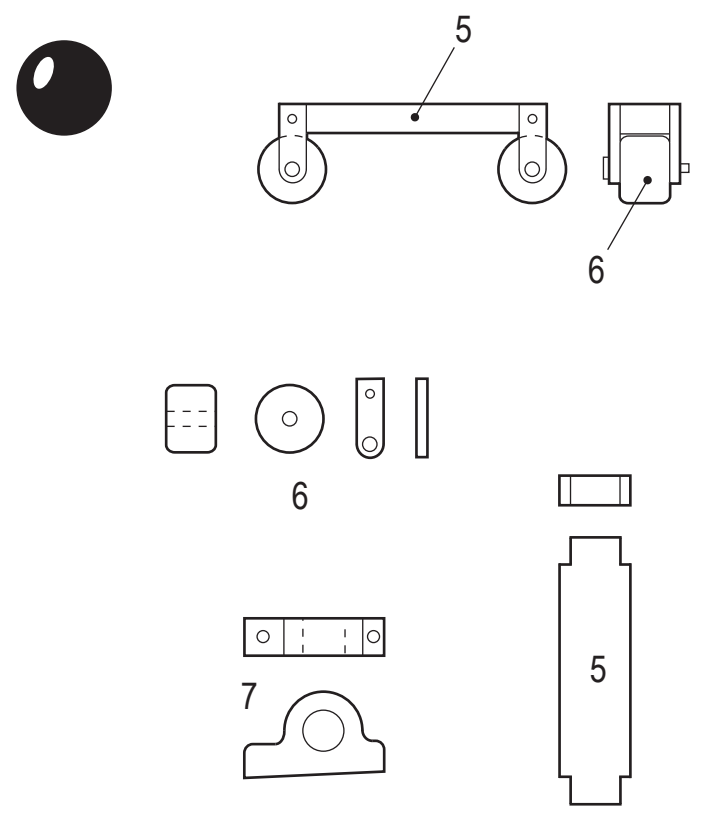
Drawn by Jeff Staudt - January, 2011





**CARRONADE**

- 1. Carronade
- 2. Mobile Platform
- 3. Chock
- 4. Pedestal
- 5. Axle
- 6. Truck
- 7. Pillow Block
- 8. Elevation Turnscrew



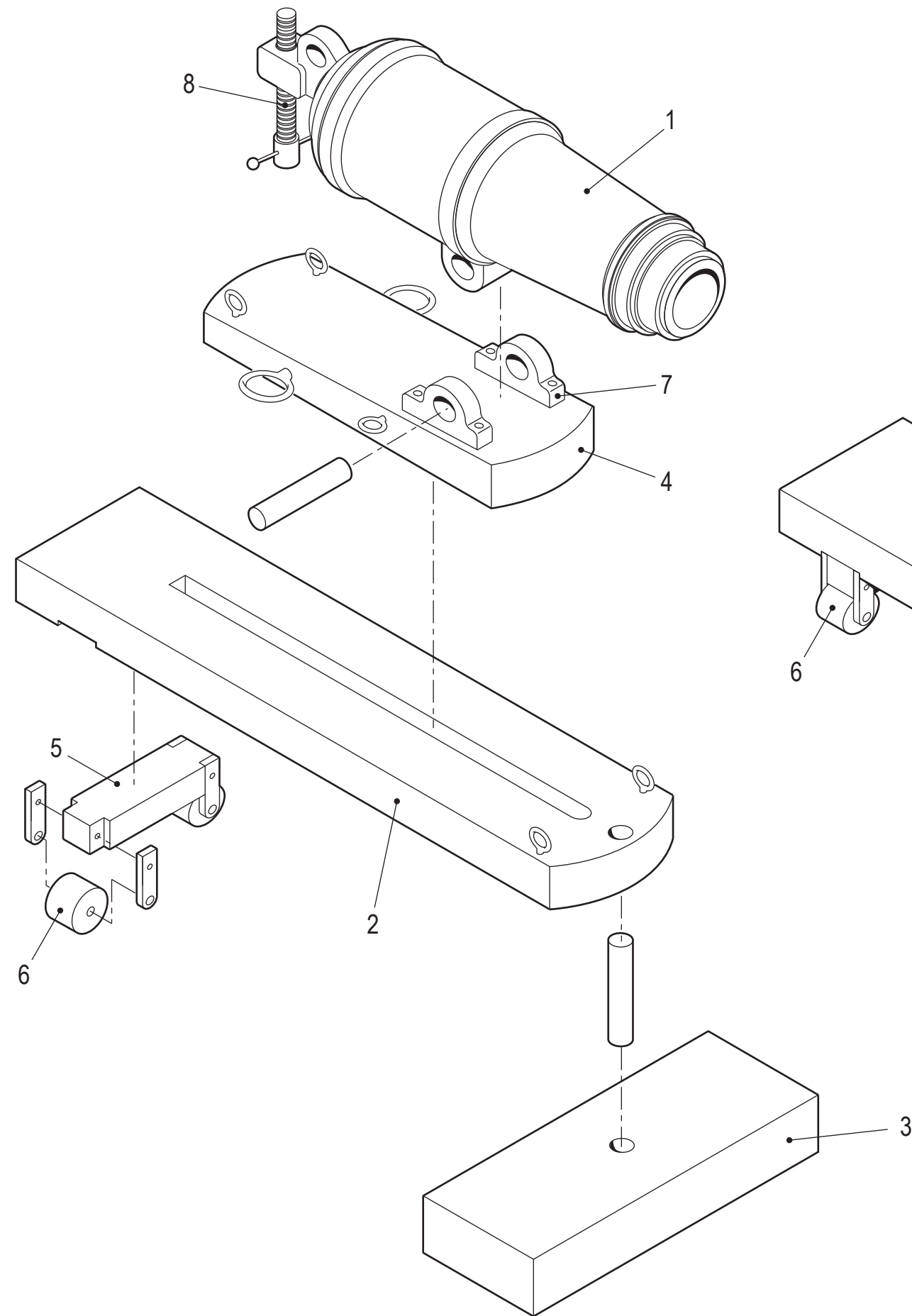
www.modelshipbuilder.com

**“THE SMASHER”**

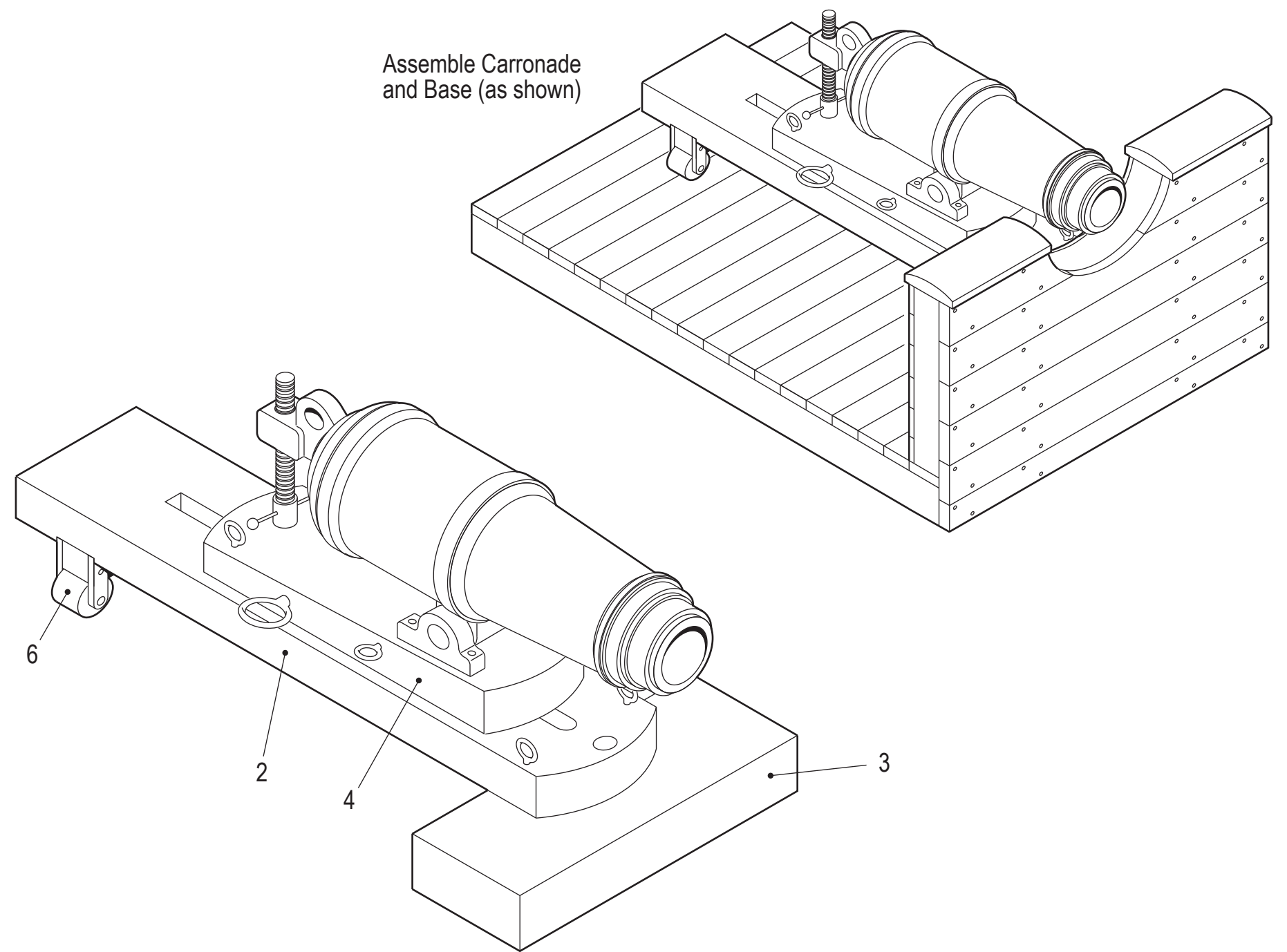
**• 42 Pounder Carronade •**

Drawn by Jeff Staudt - January, 2011





Assemble Carronade  
and Base (as shown)



**CARRONADE ASSEMBLY**

- |                    |                        |
|--------------------|------------------------|
| 1. Carronade       | 6. Truck               |
| 2. Mobile Platform | 7. Pillow Block        |
| 3. Chock           | 8. Elevation Turnscrew |
| 4. Pedestal        |                        |
| 5. Axle            |                        |



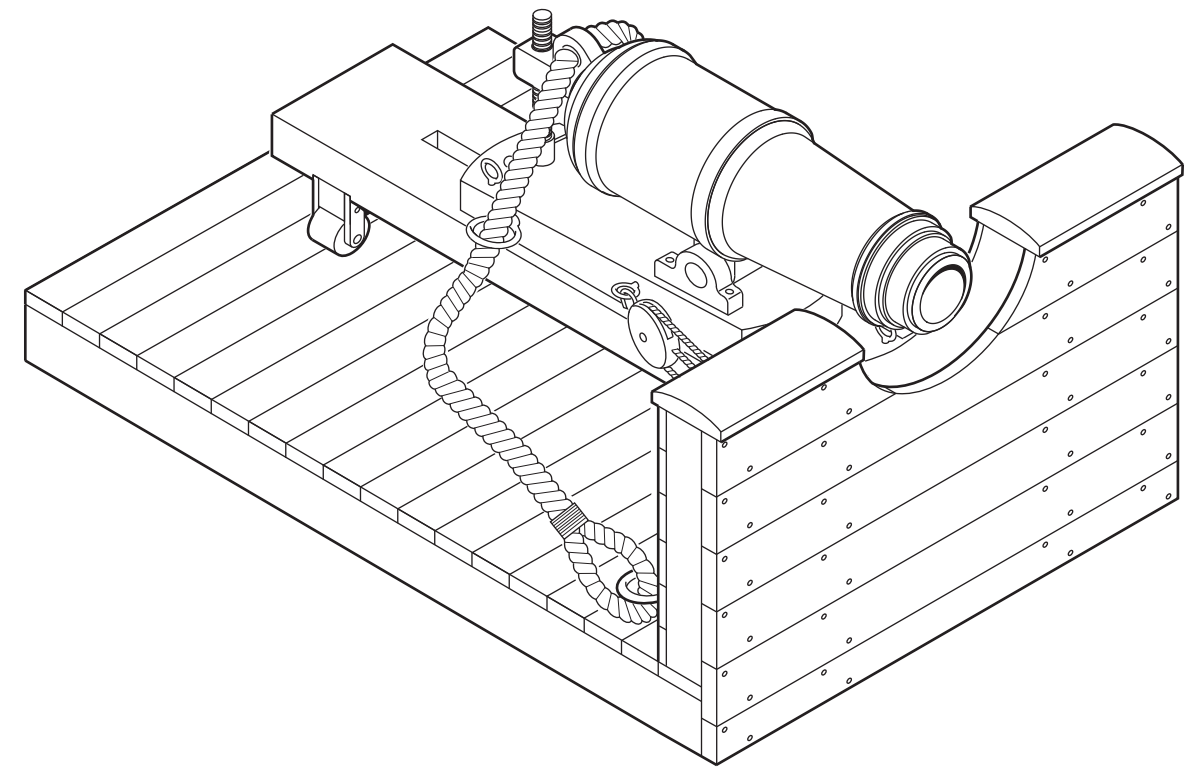
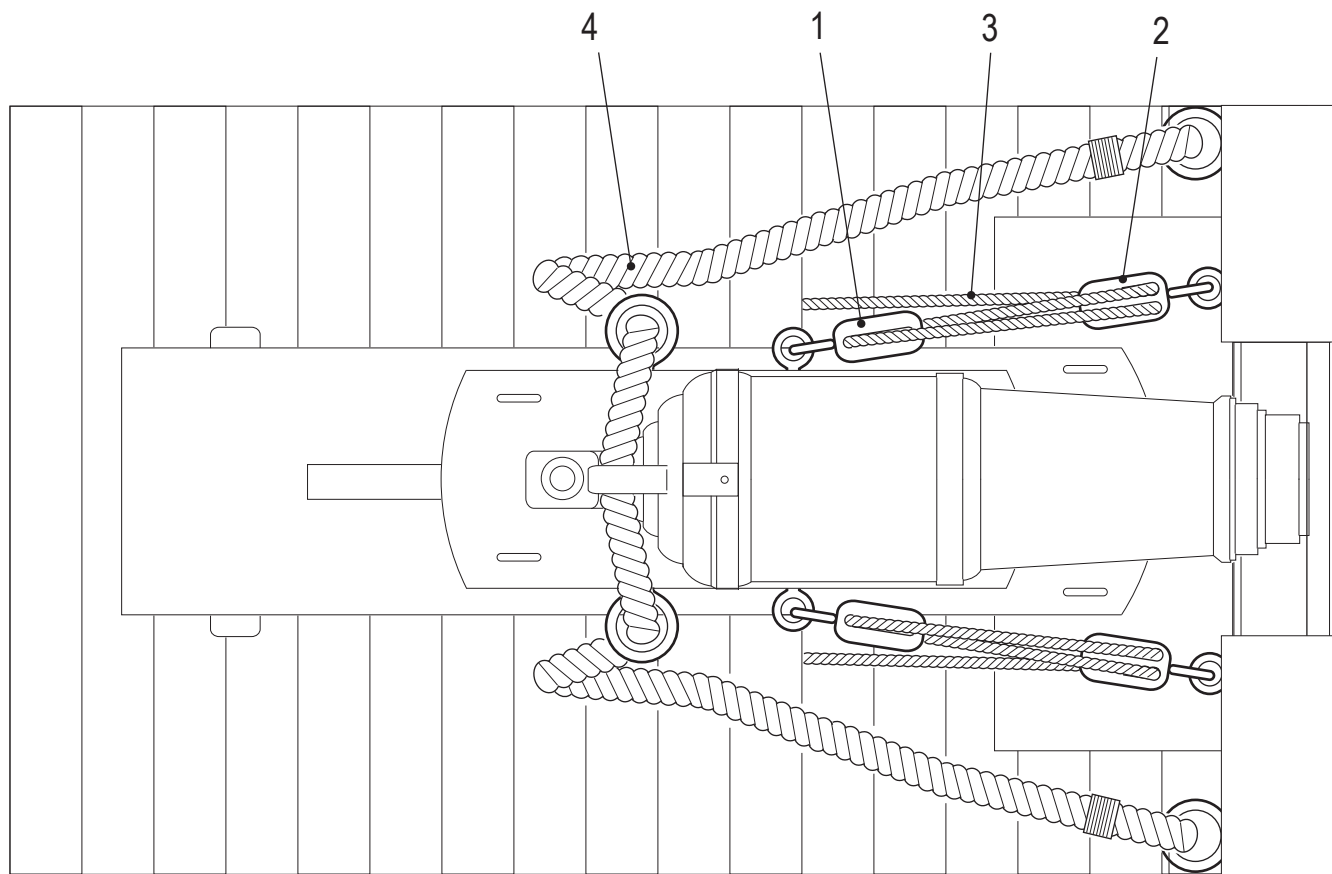
www.modelshipbuilder.com

**“THE SMASHER”**

**• 42 Pounder Carronade •**

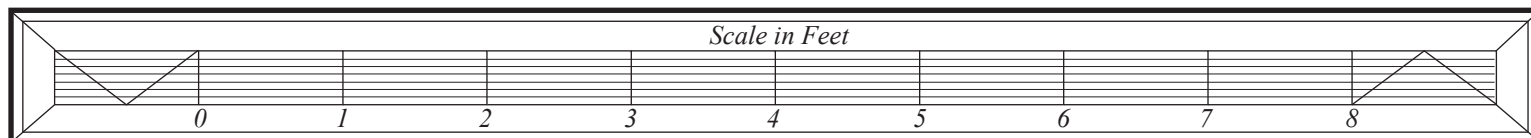
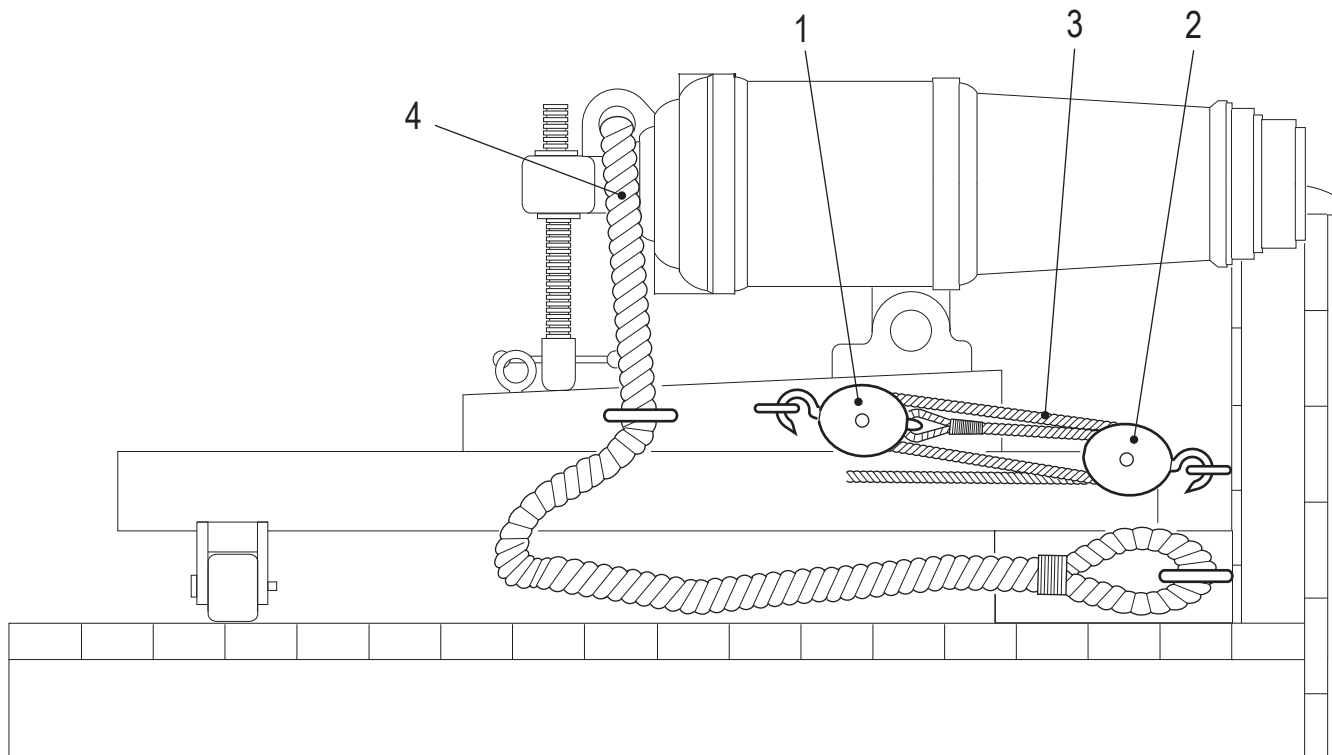
Drawn by Jeff Staudt - January, 2011





**CARRONADE RIGGING**

- 1. Single Block
- 2. Double Block
- 3. Block & Tackle Rope
- 4. Breech Rope



www.modelshipbuilder.com

**“THE SMASHER”**

**• 42 Pounder Carronade •**

Drawn by Jeff Staudt - January, 2011

