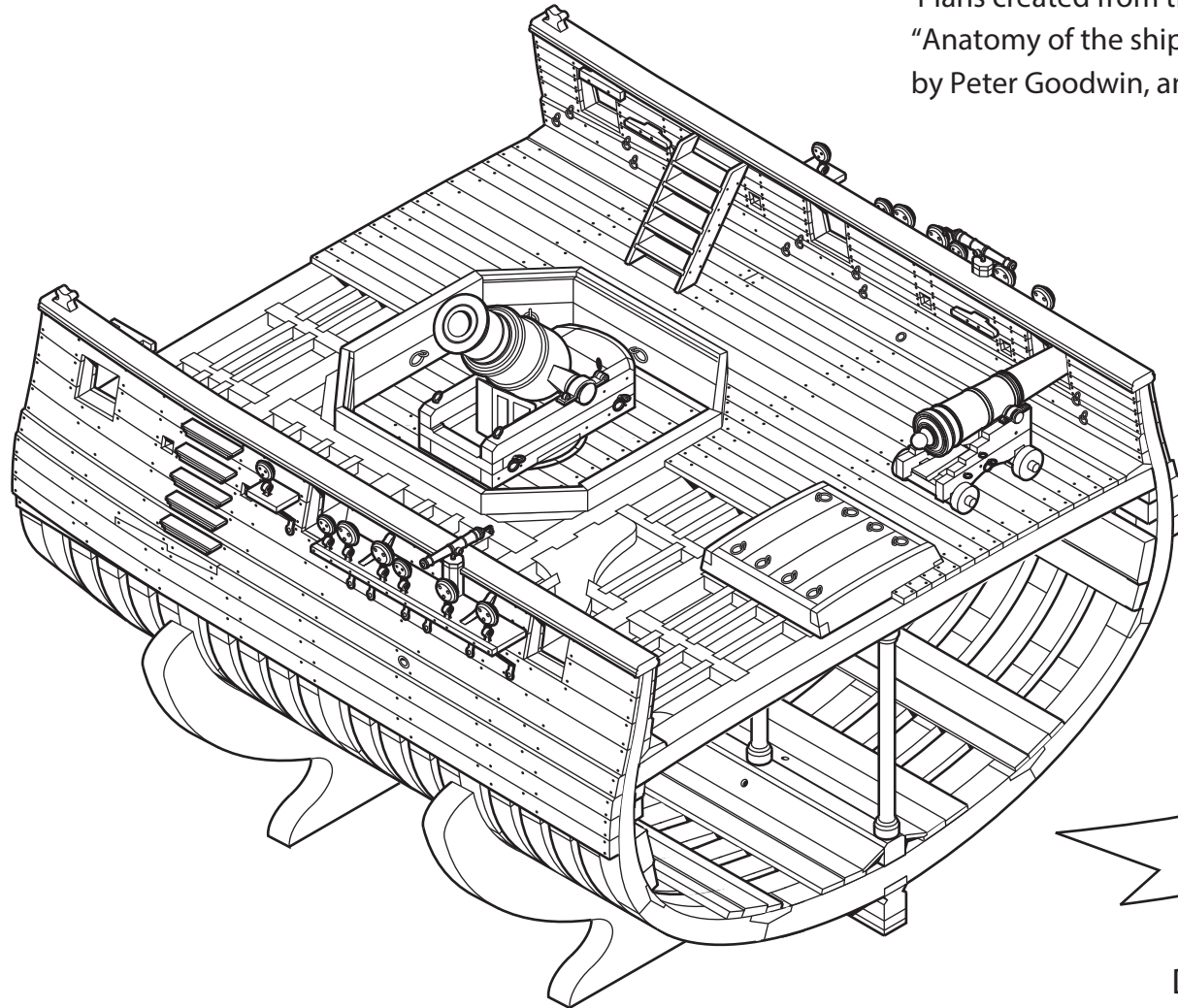


Area of Cross Section Through Ship

Plans created from the sources:

"Anatomy of the ship - The Bomb Vessel Granado - 1742"

by Peter Goodwin, and original bomb vessel drawings by Thomas Slade.



ModelShipBuilder

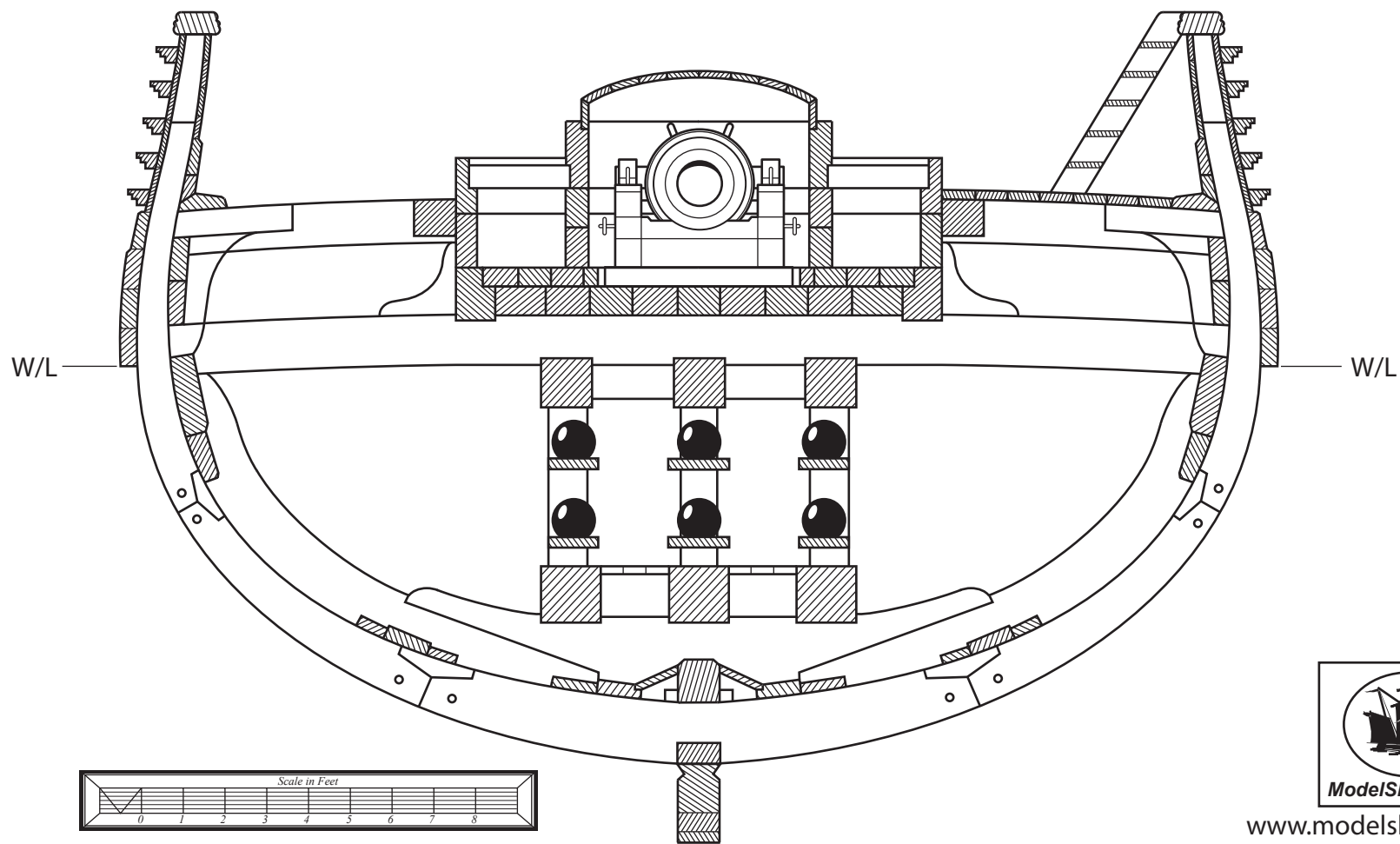
www.modelshipbuilder.com

• BOMB VESSEL •

1742

CROSS SECTIONAL MODEL

Drawn by Jeff Staudt - February, 2010



◦ BOMB VESSEL ◦

1742

CROSS SECTIONAL VIEW

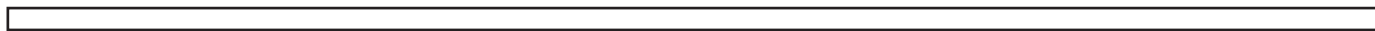
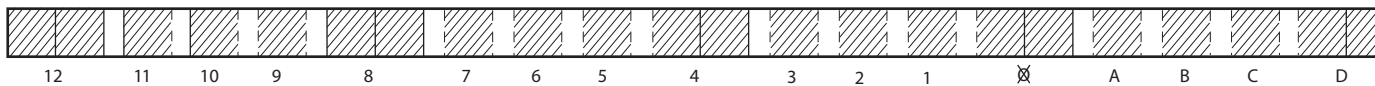
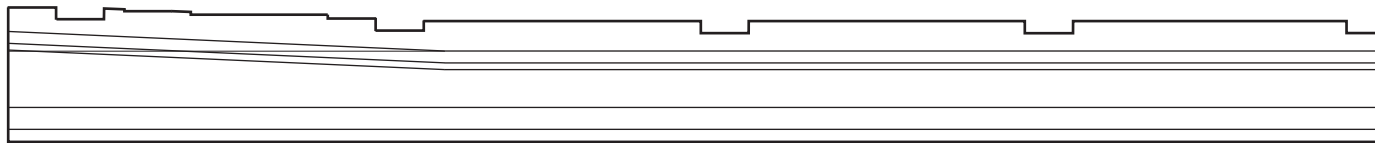
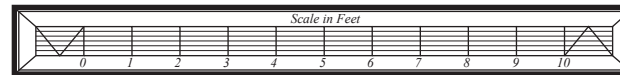
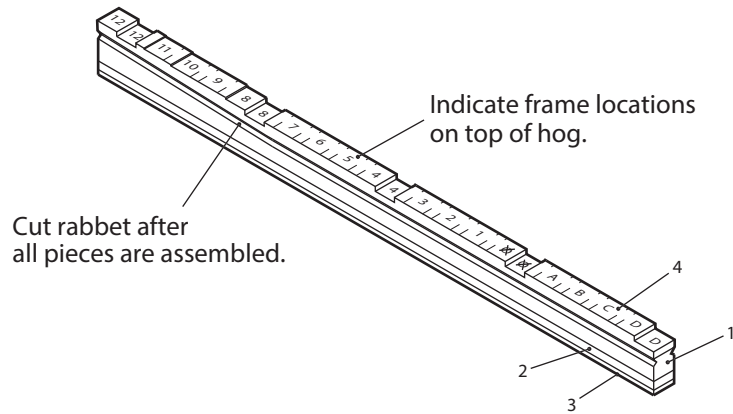


www.modelshipbuilder.com



KEEL & HOG

1. Keel
2. False Keel (Upper)
3. False Keel (Lower)
4. Hog

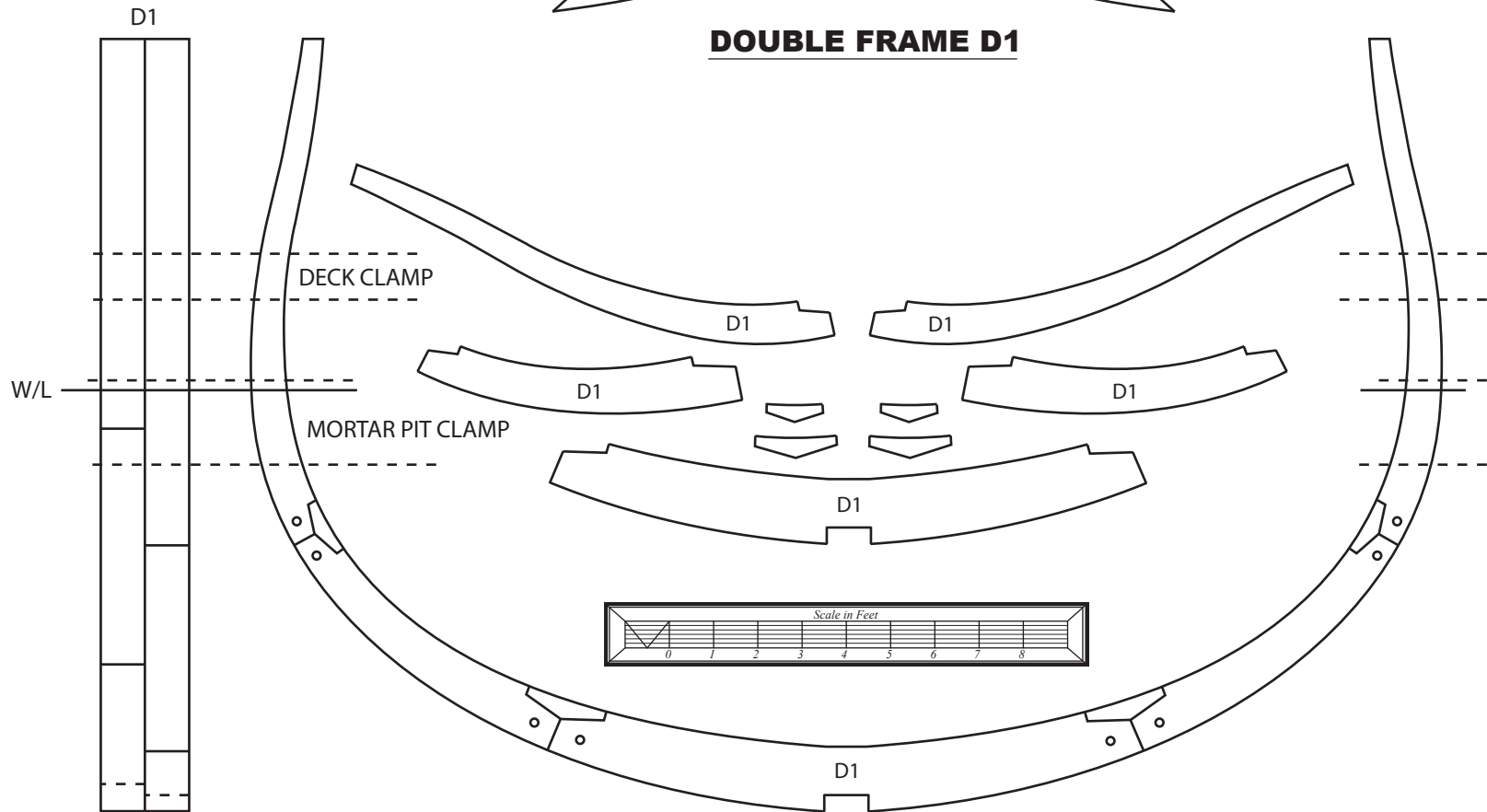




www.modelshipbuilder.com

◦ BOMB VESSEL ◦
1742

DOUBLE FRAME D1



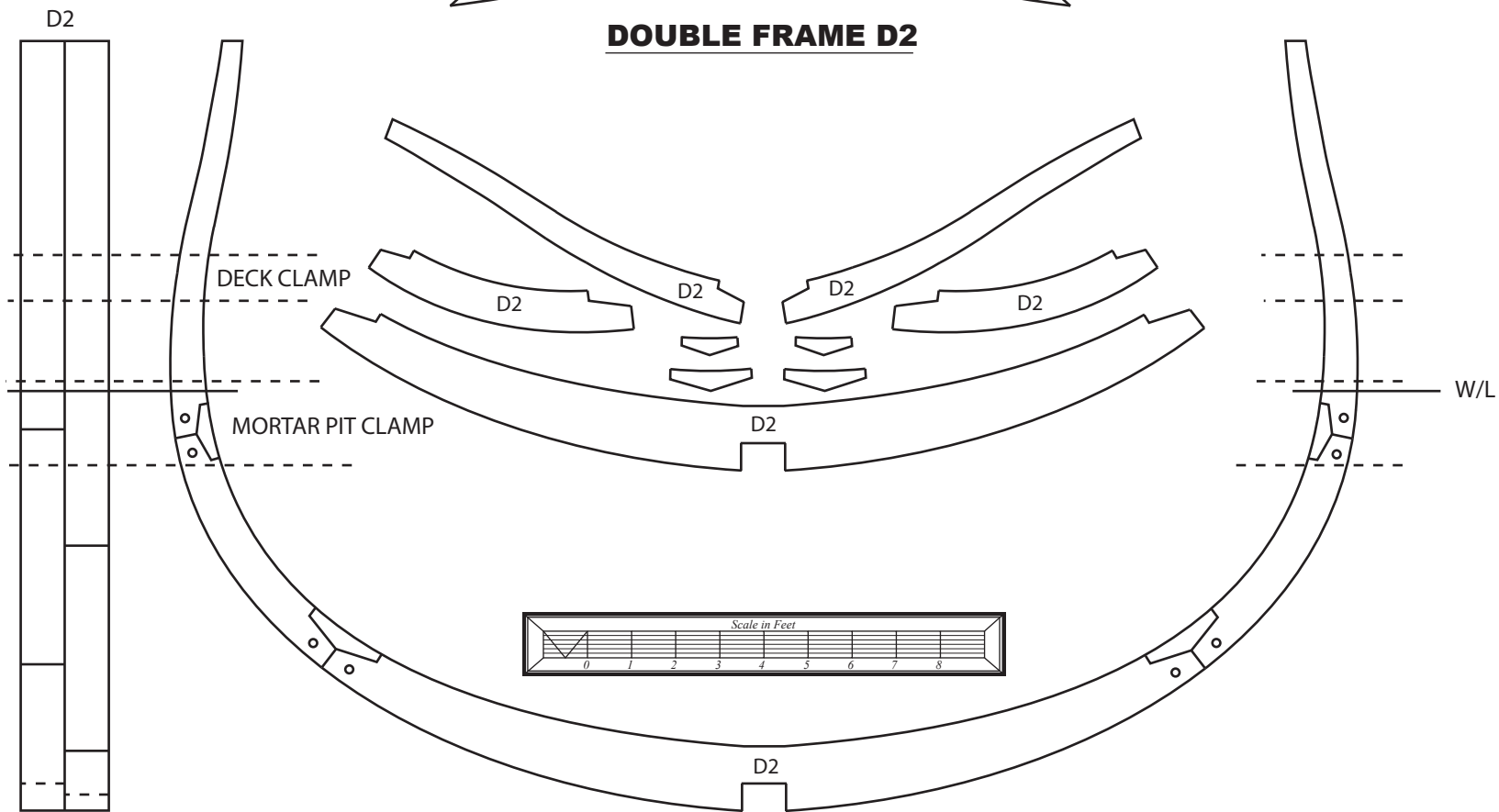


ModelShipBuilder

www.modelshipbuilder.com



DOUBLE FRAME D2

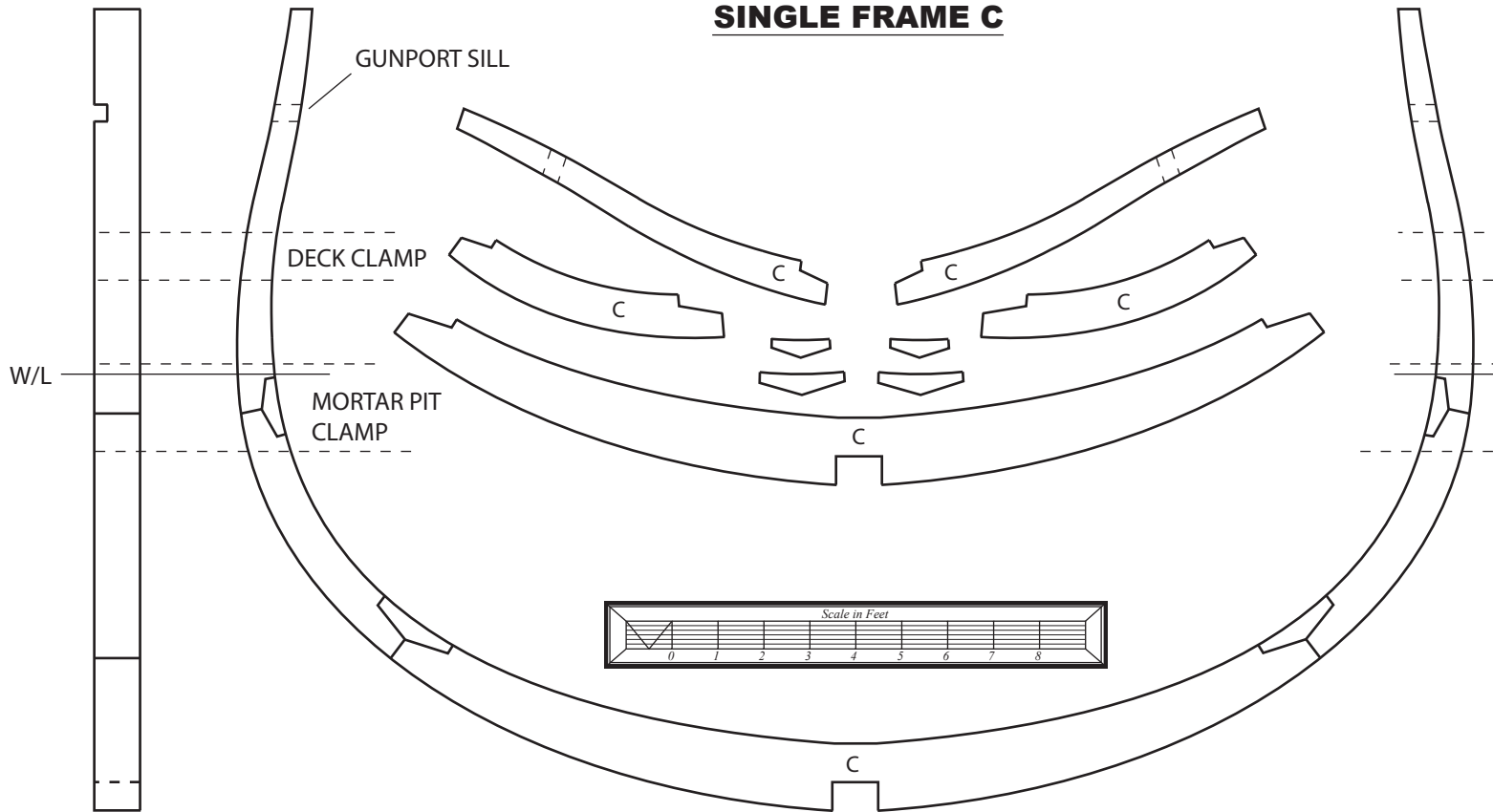




www.modelshipbuilder.com

◦ BOMB VESSEL ◦
1742

SINGLE FRAME C

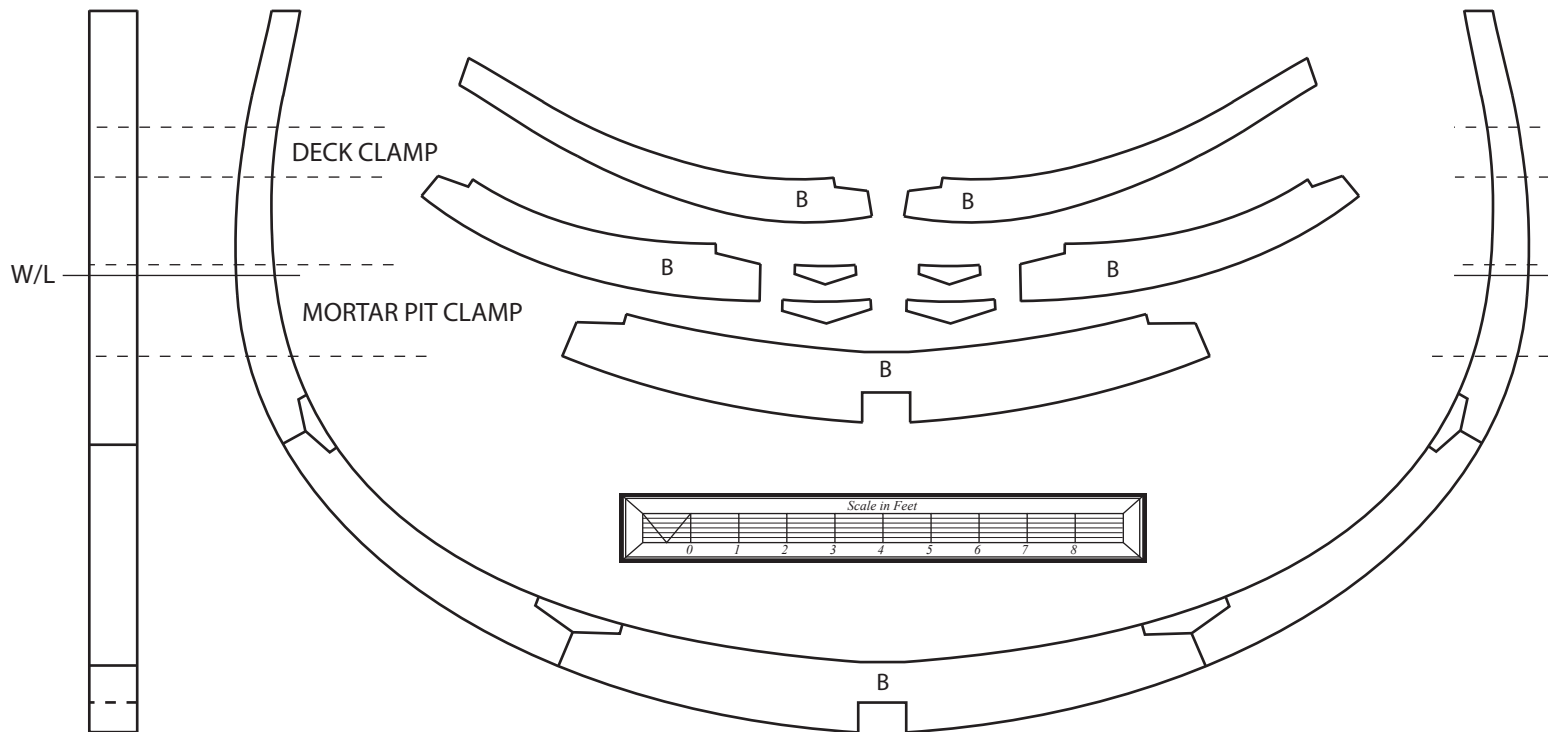




www.modelshipbuilder.com

◦ BOMB VESSEL ◦
1742

SINGLE FRAME B

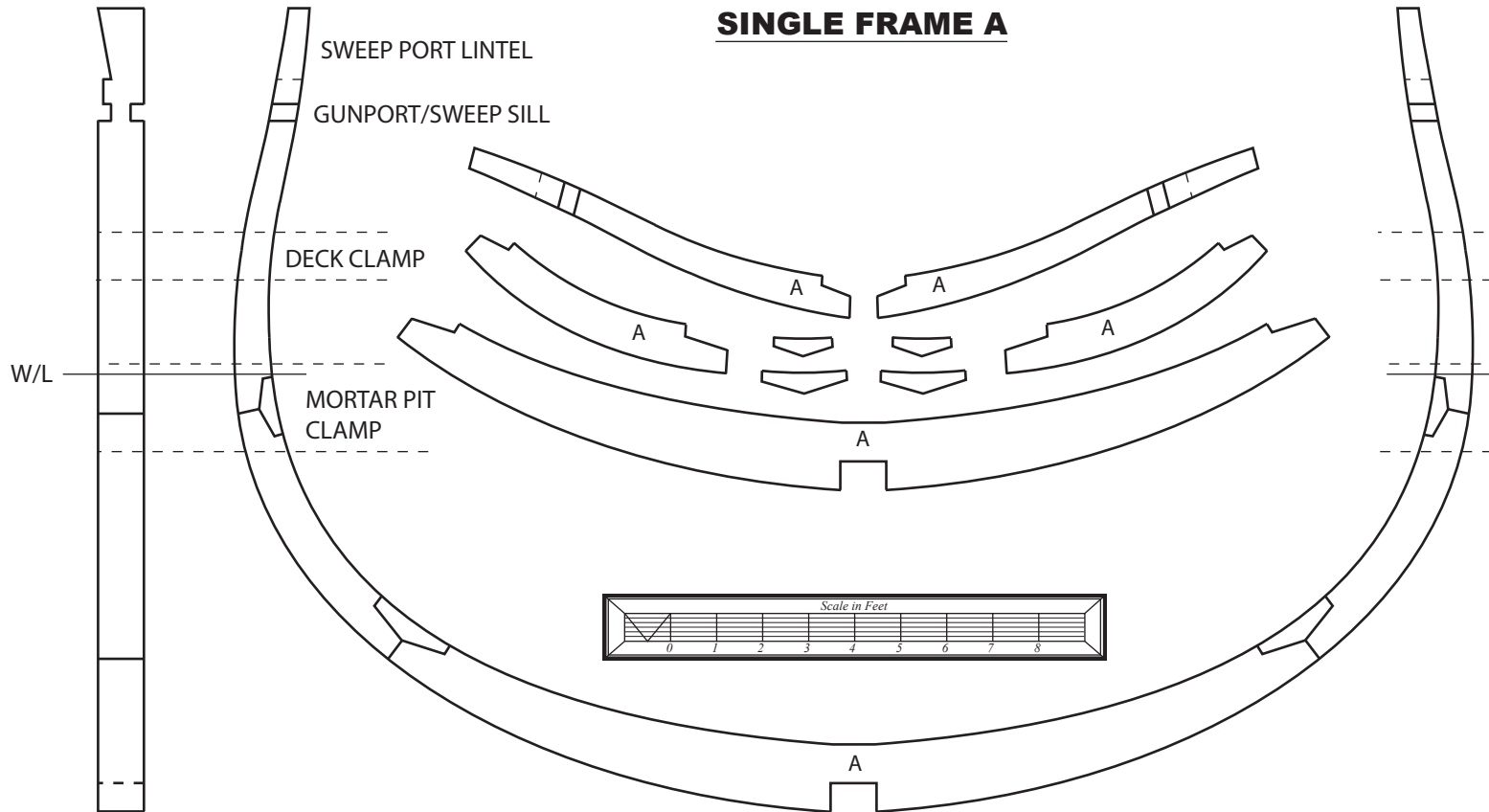




www.modelshipbuilder.com

◦ BOMB VESSEL ◦
1742

SINGLE FRAME A

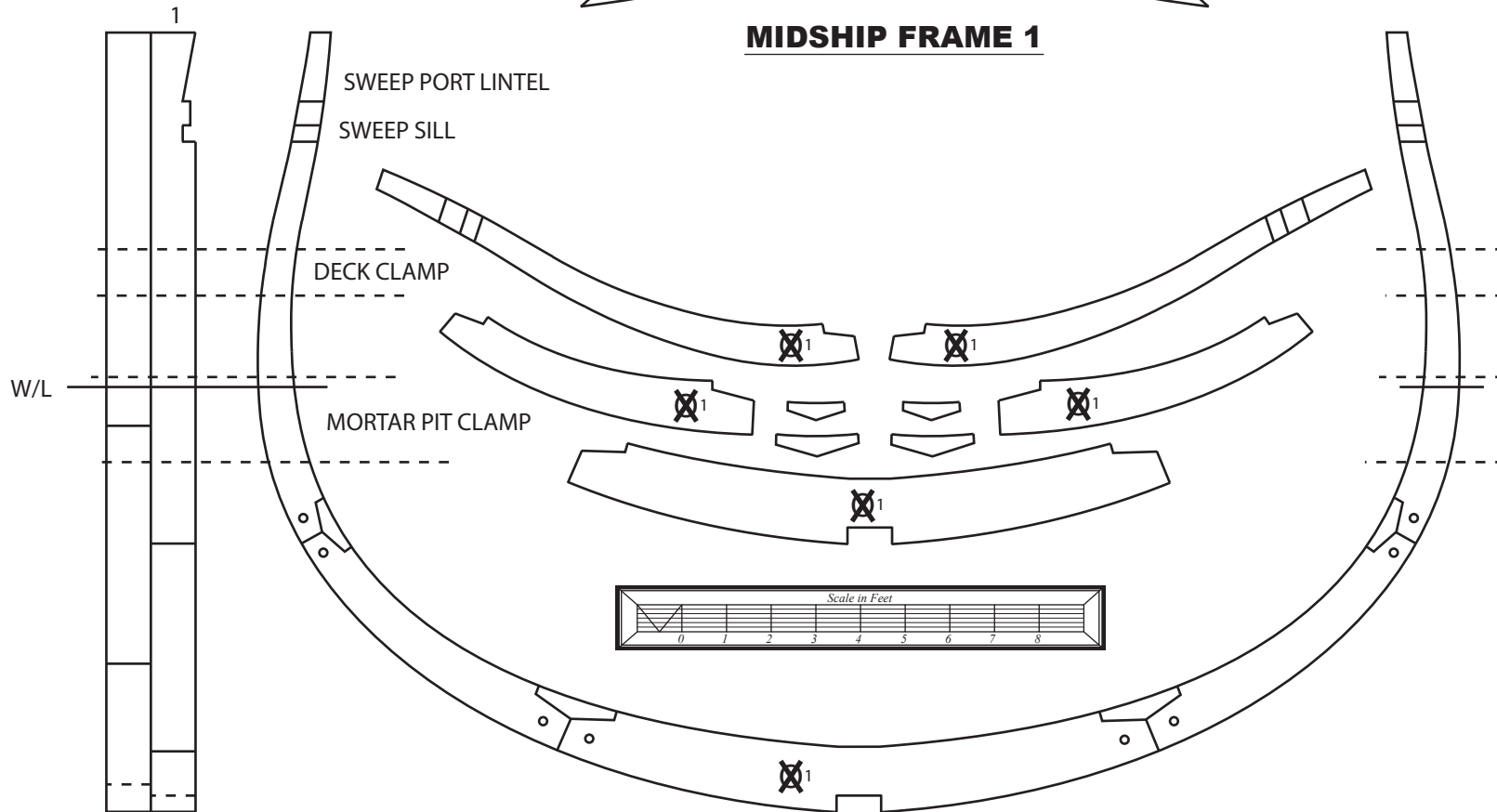




www.modelshipbuilder.com

• BOMB VESSEL •
1742

MIDSHIP FRAME 1

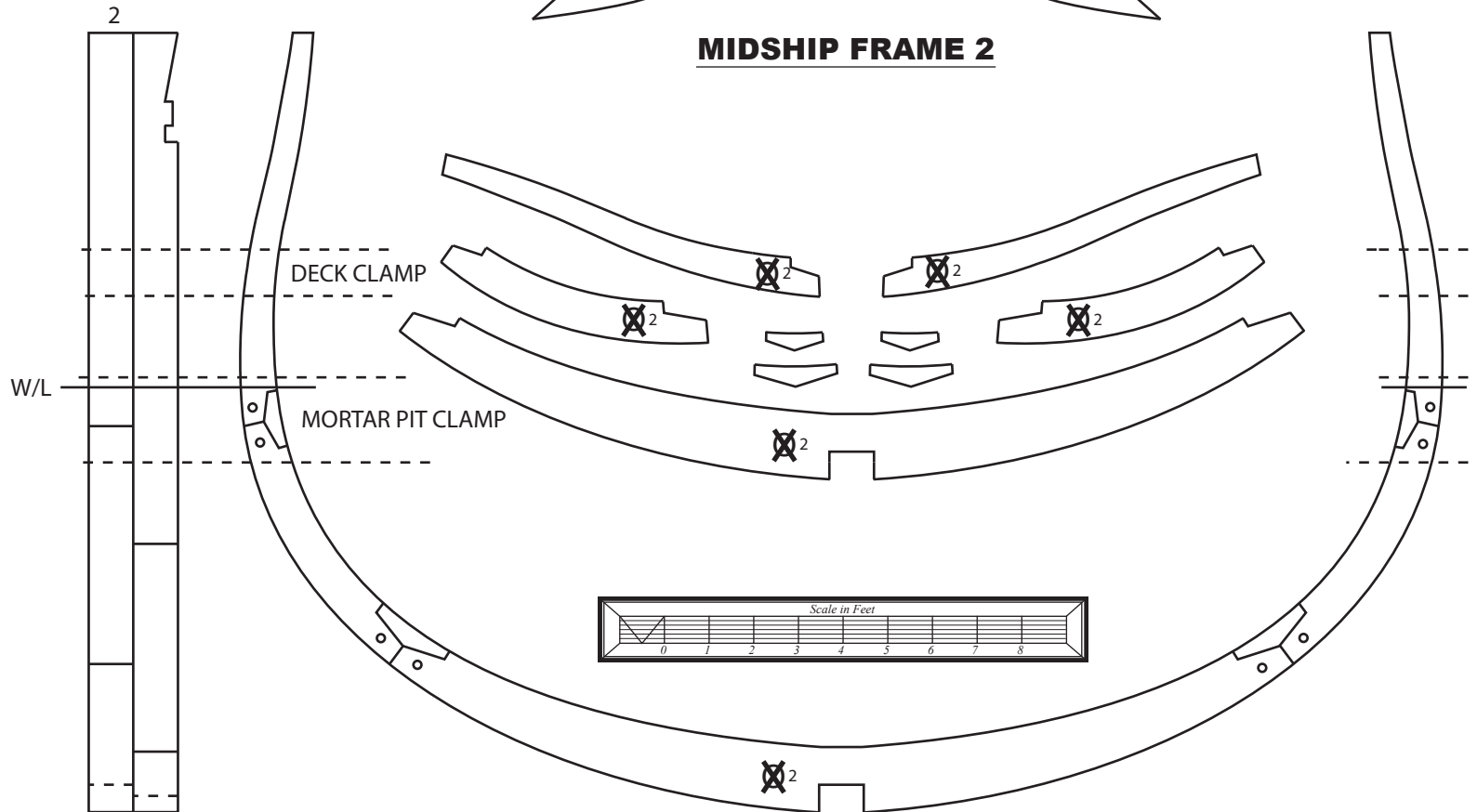




www.modelshipbuilder.com

◦ BOMB VESSEL ◦
1742

MIDSHIP FRAME 2

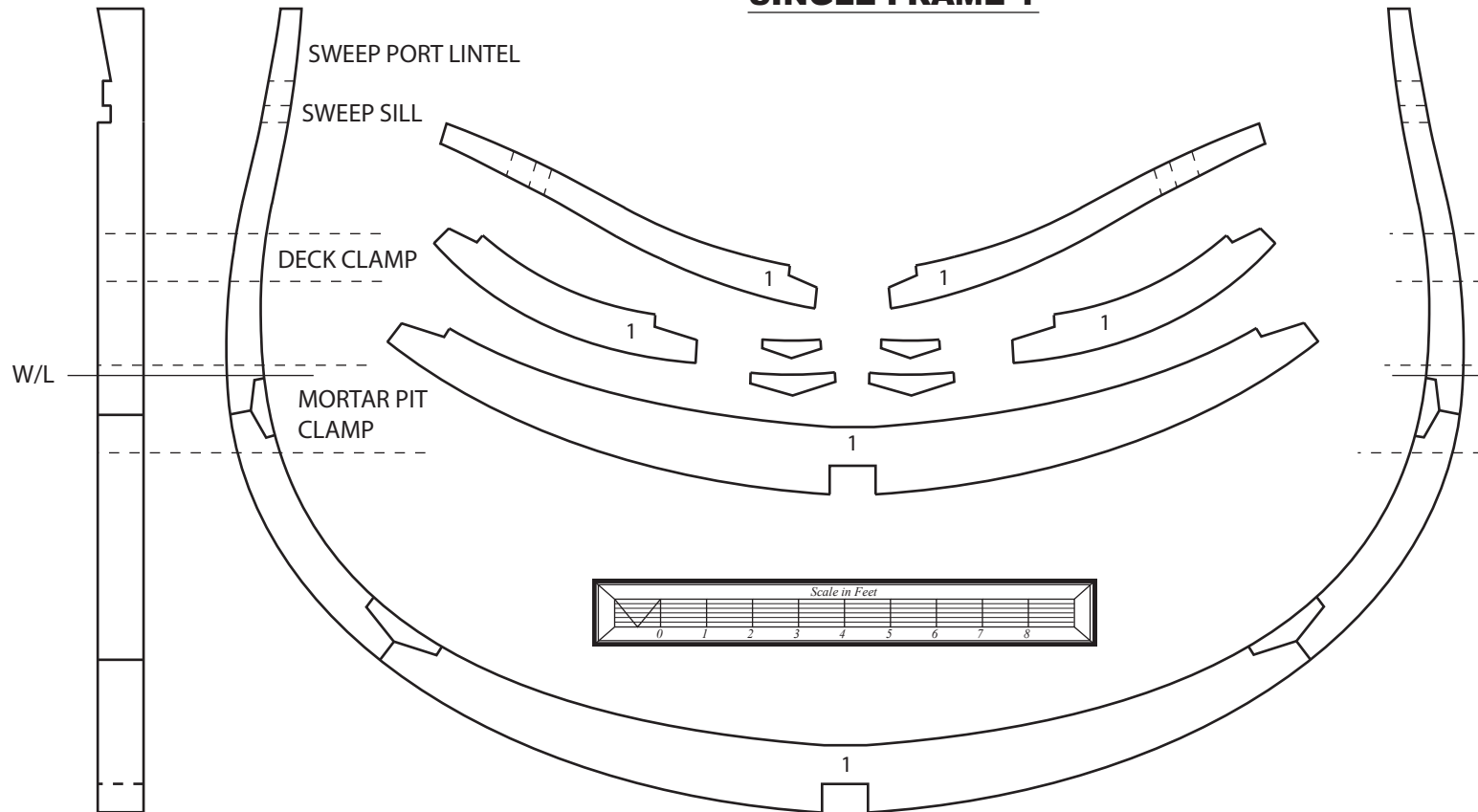




www.modelshipbuilder.com

• BOMB VESSEL •
1742

SINGLE FRAME 1

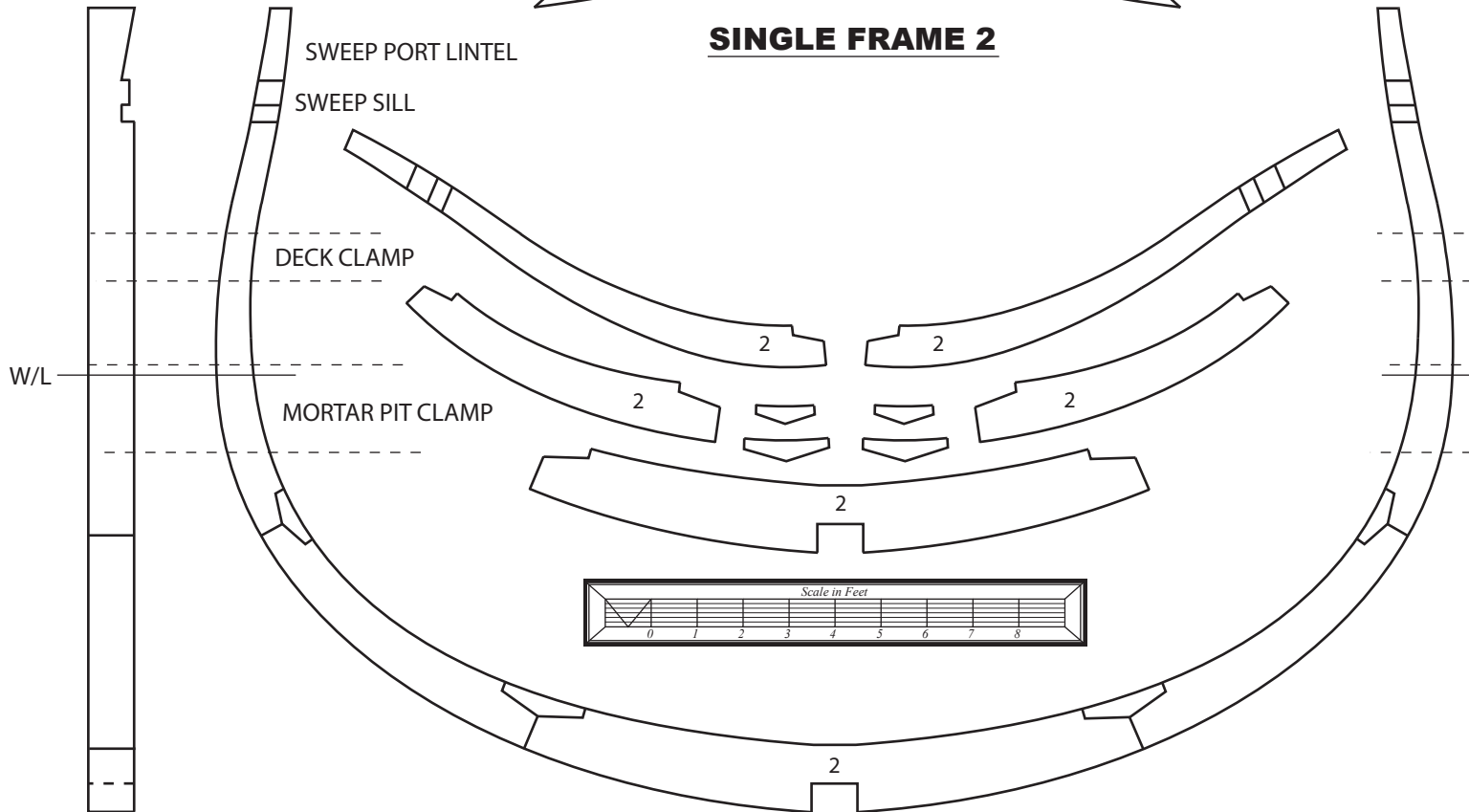




www.modelshipbuilder.com

◦ BOMB VESSEL ◦
1742

SINGLE FRAME 2

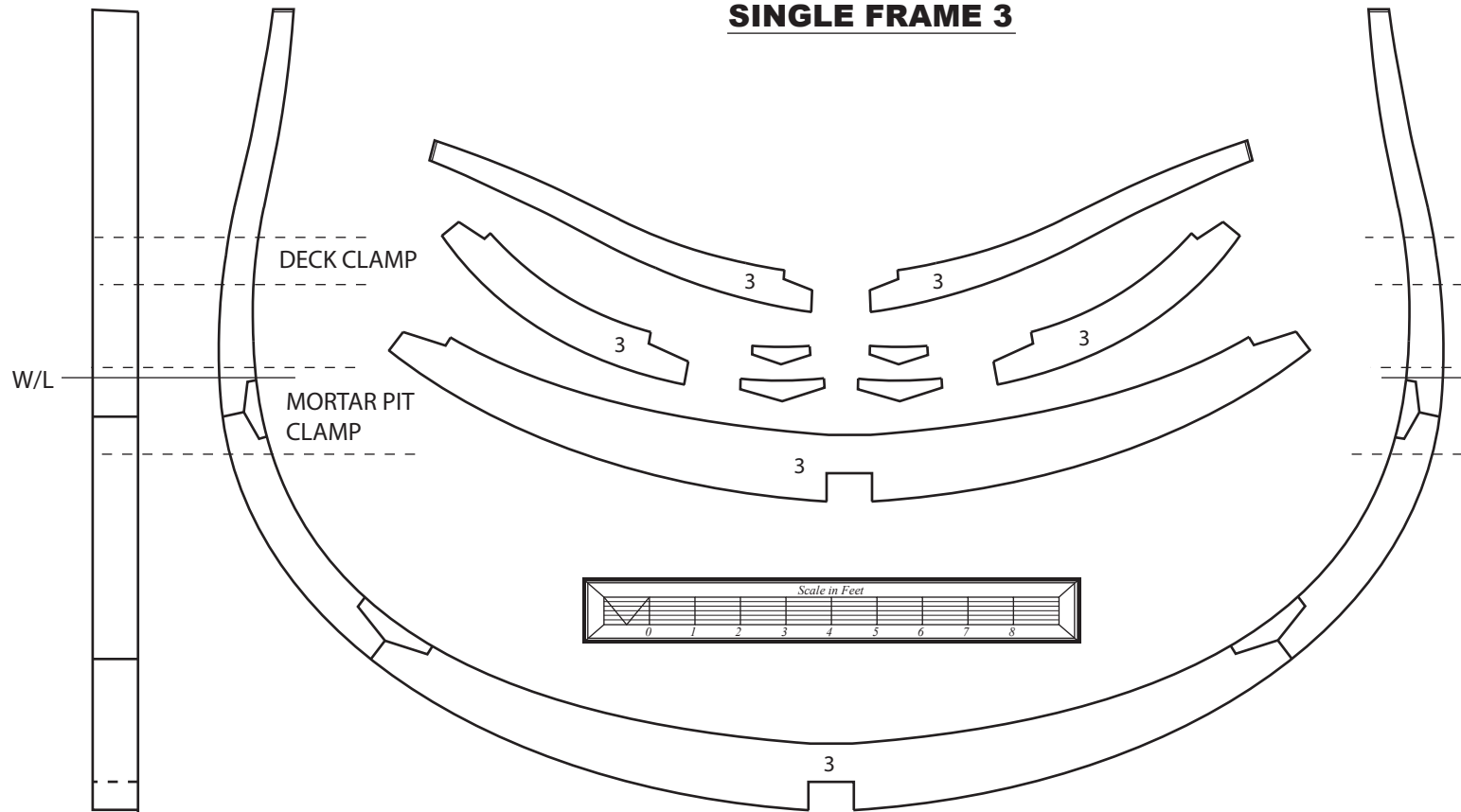




www.modelshipbuilder.com

· BOMB VESSEL ·
1742

SINGLE FRAME 3

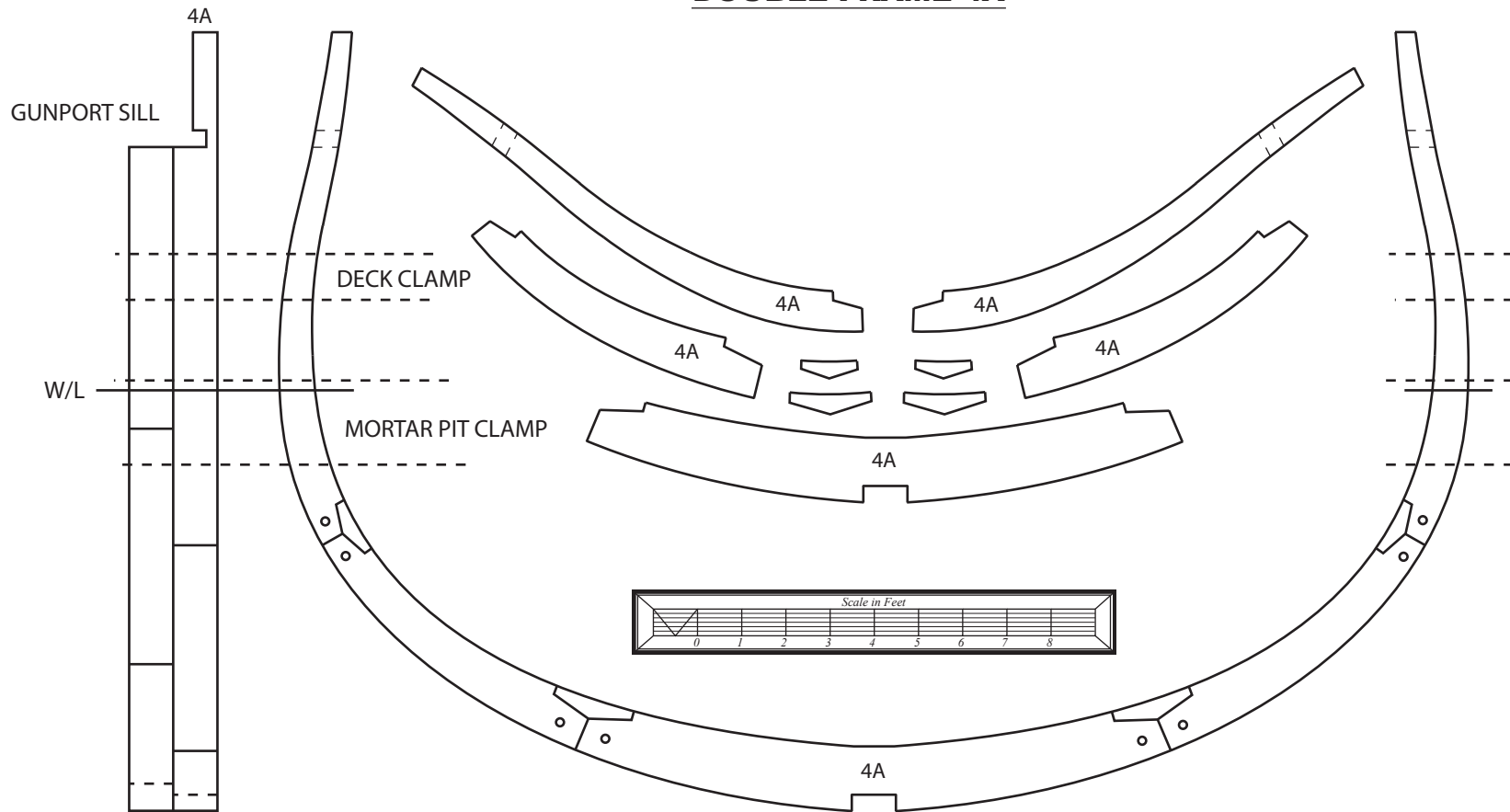




www.modelshipbuilder.com

◦ BOMB VESSEL ◦
1742

DOUBLE FRAME 4A

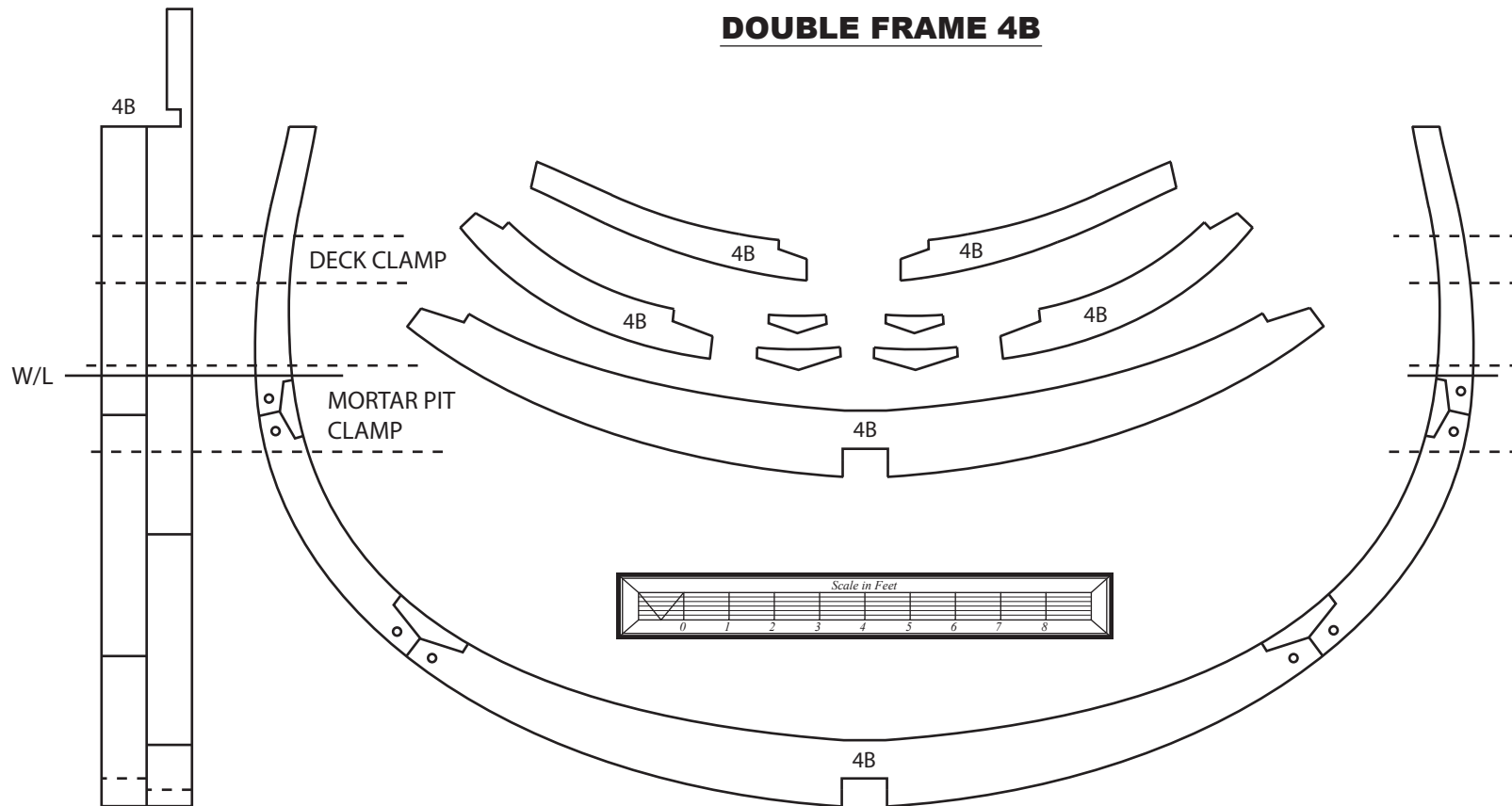




www.modelshipbuilder.com

◦ BOMB VESSEL ◦
1742

DOUBLE FRAME 4B

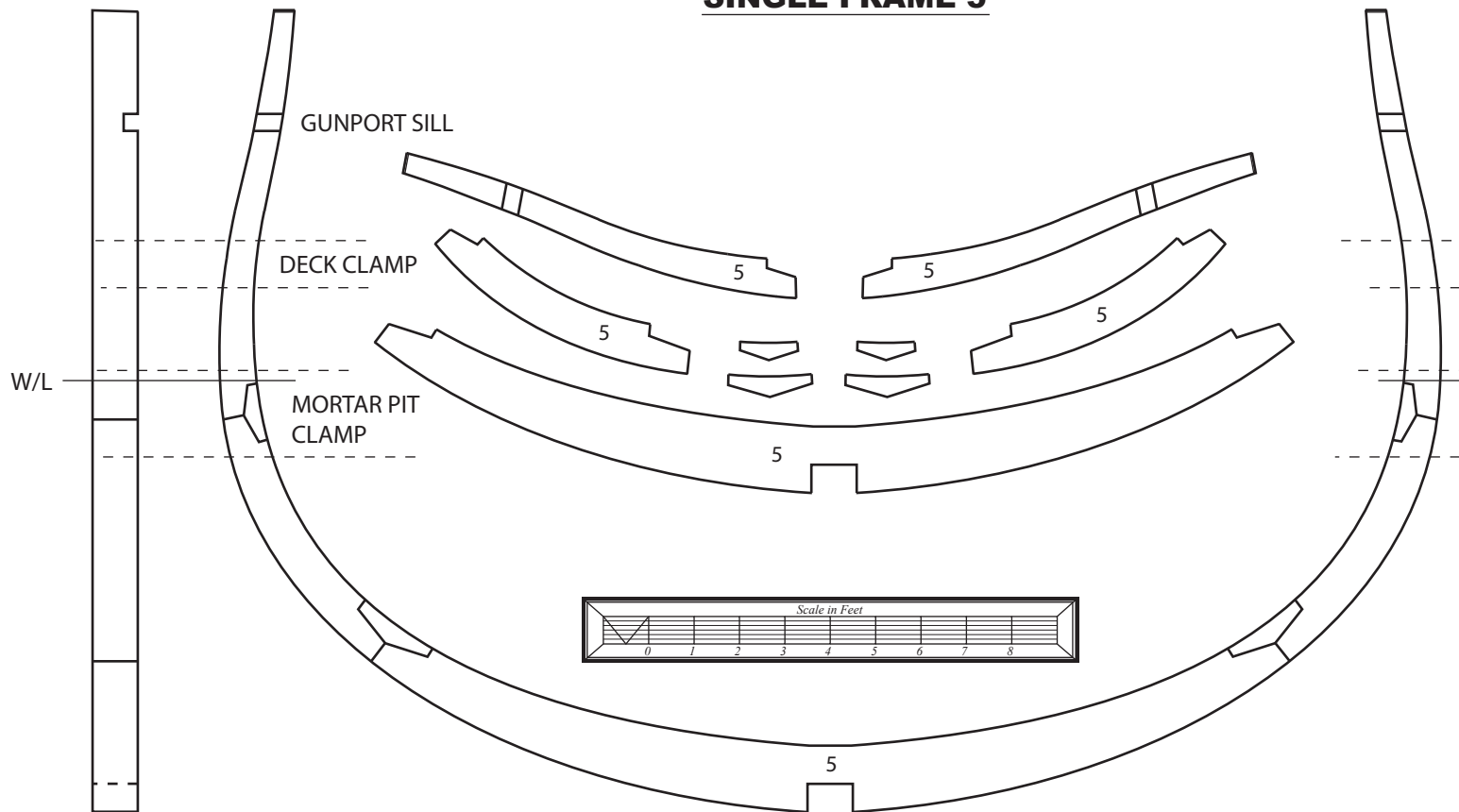




www.modelshipbuilder.com

◦ BOMB VESSEL ◦
1742

SINGLE FRAME 5

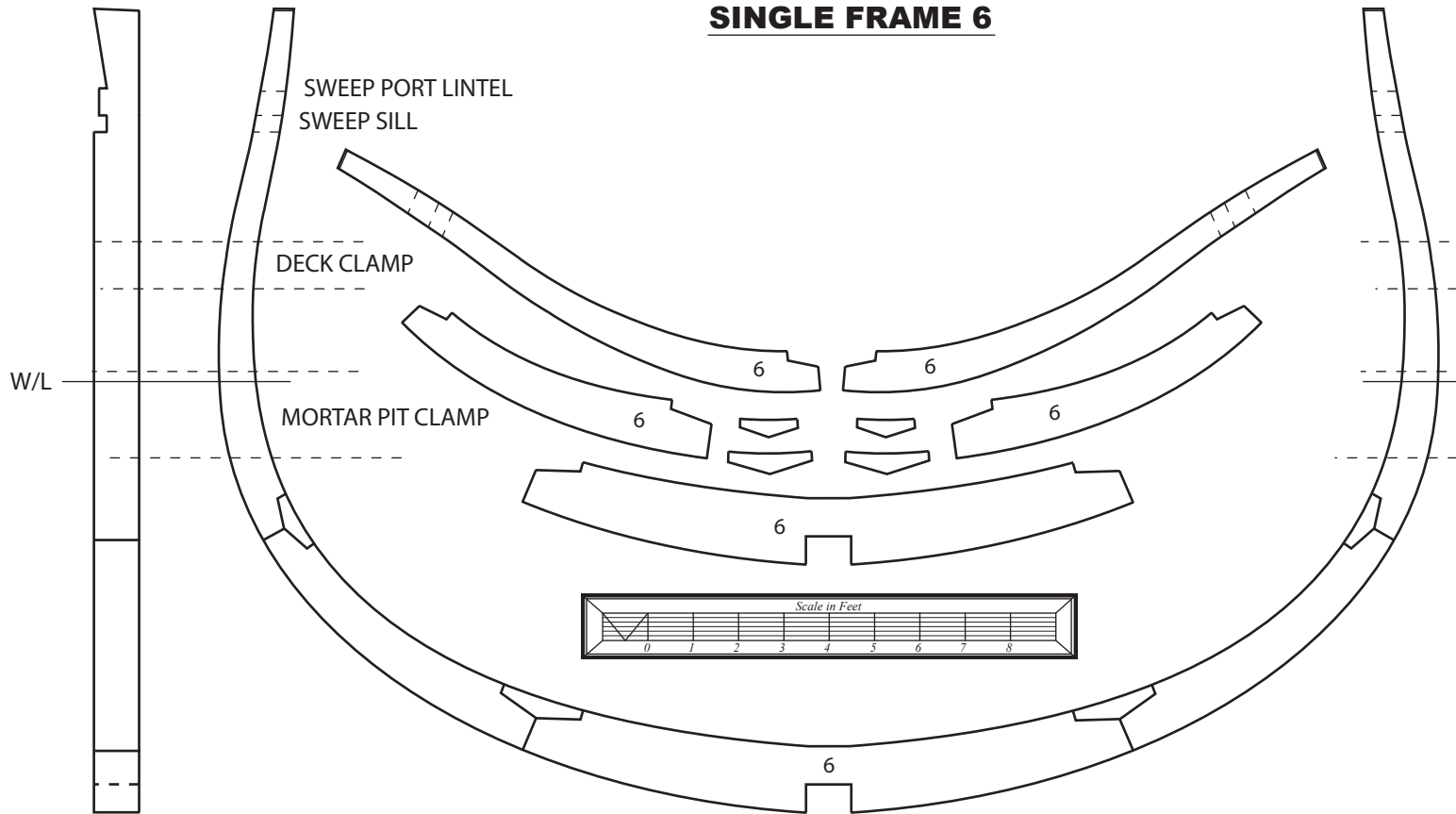




www.modelshipbuilder.com

◦ BOMB VESSEL ◦
1742

SINGLE FRAME 6

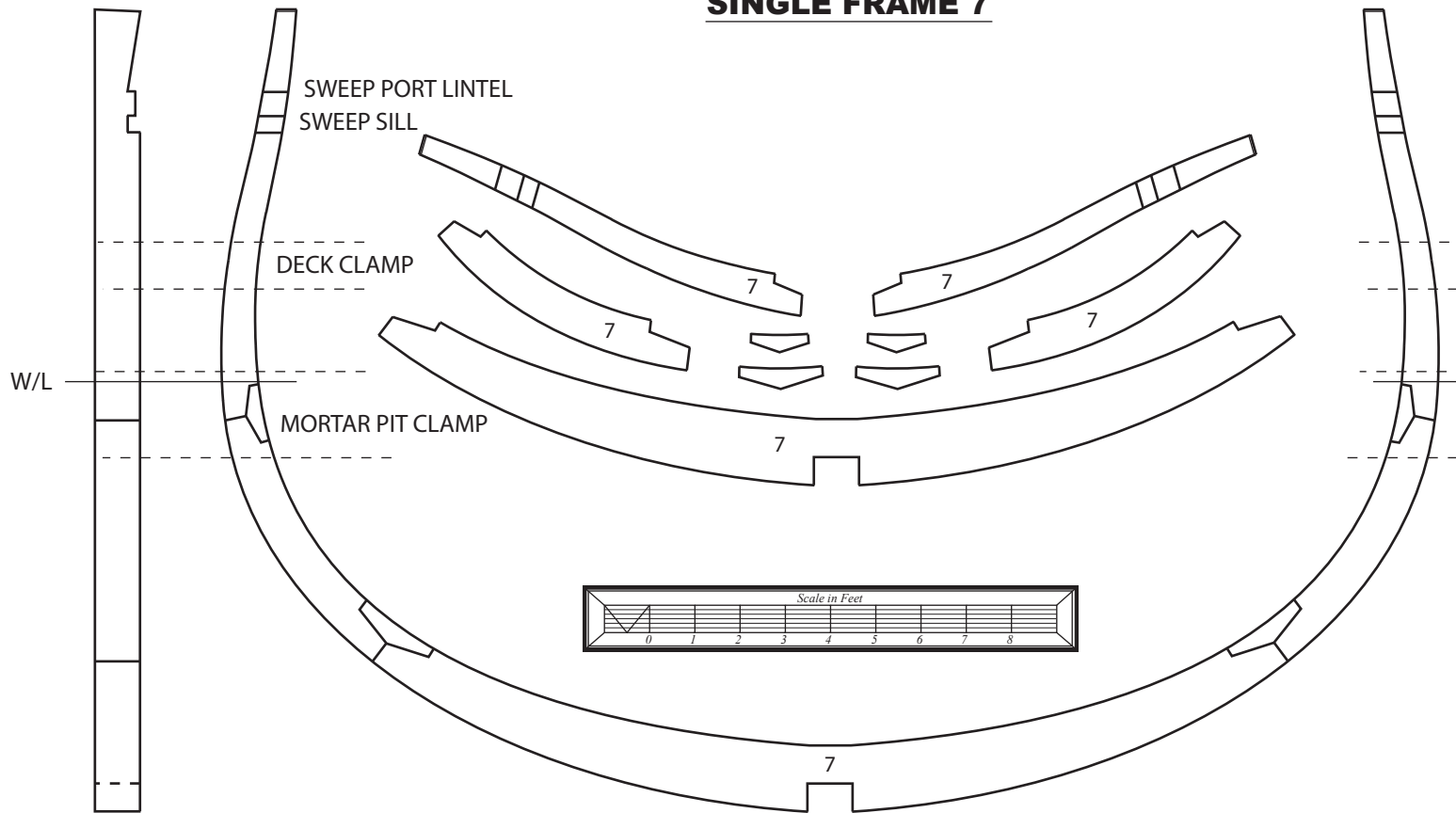




www.modelshipbuilder.com

◦ BOMB VESSEL ◦
1742

SINGLE FRAME 7

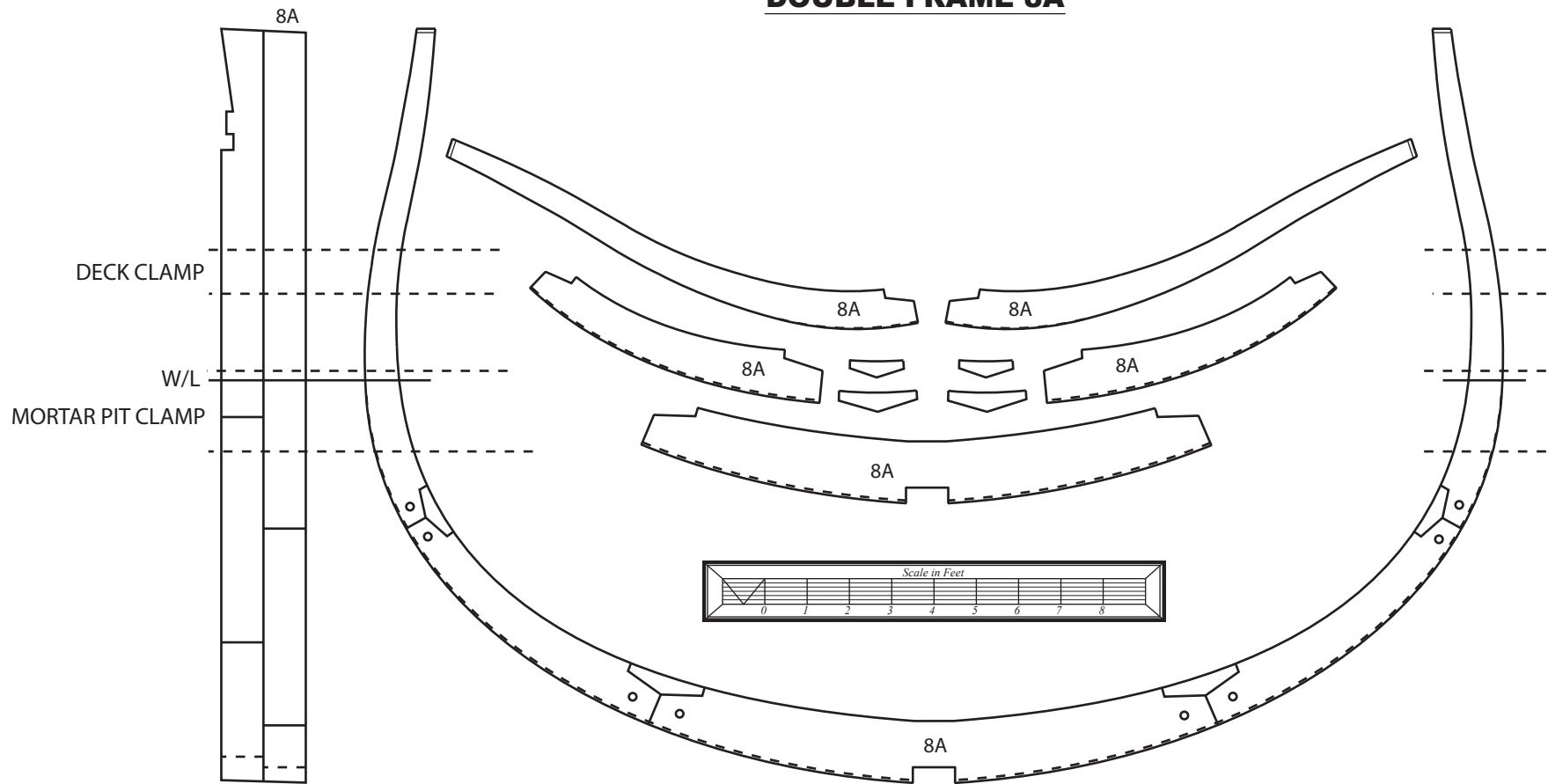




www.modelshipbuilder.com

• BOMB VESSEL •
1742

DOUBLE FRAME 8A

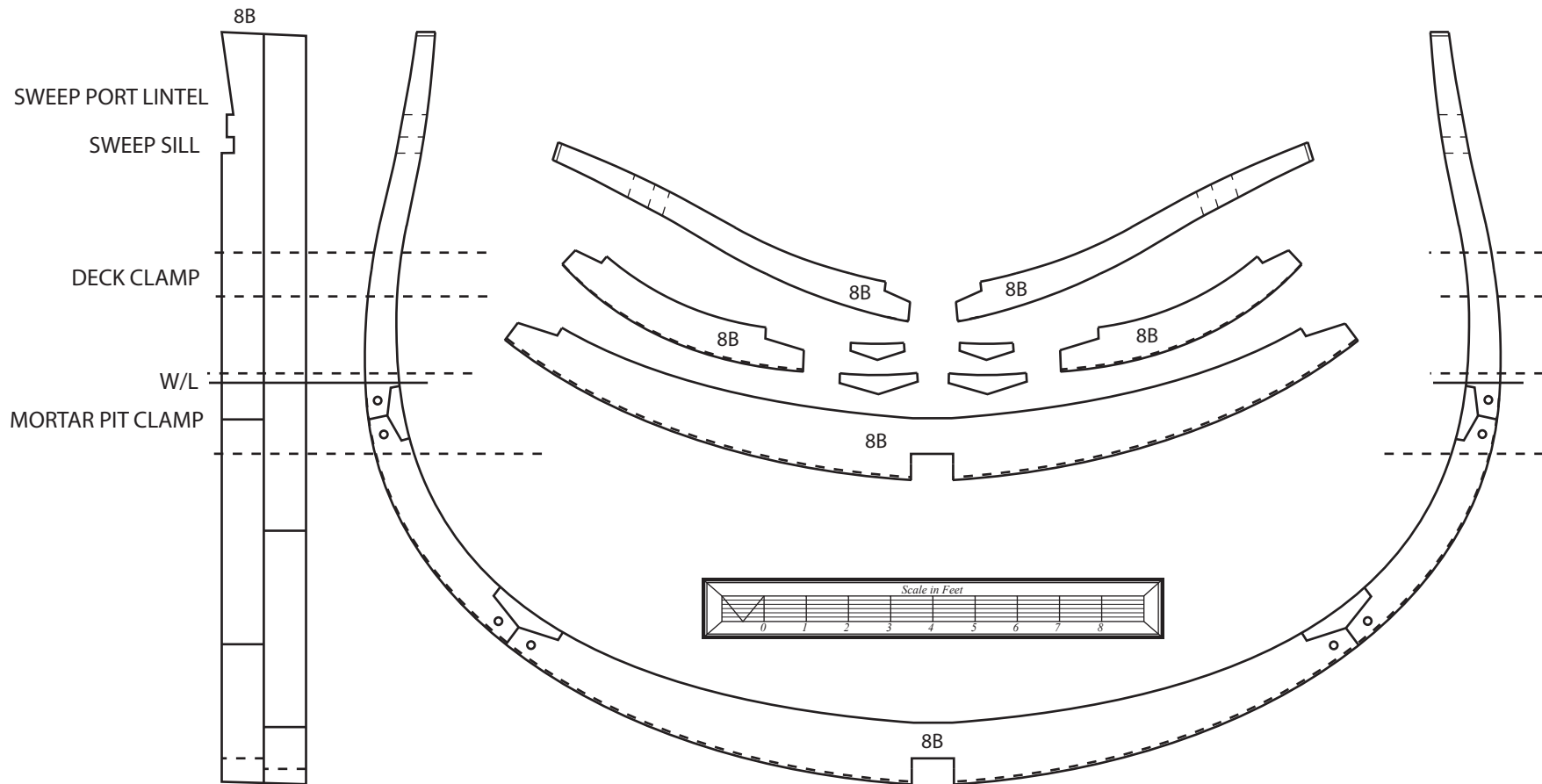




www.modelshipbuilder.com

• BOMB VESSEL •
1742

DOUBLE FRAME 8B

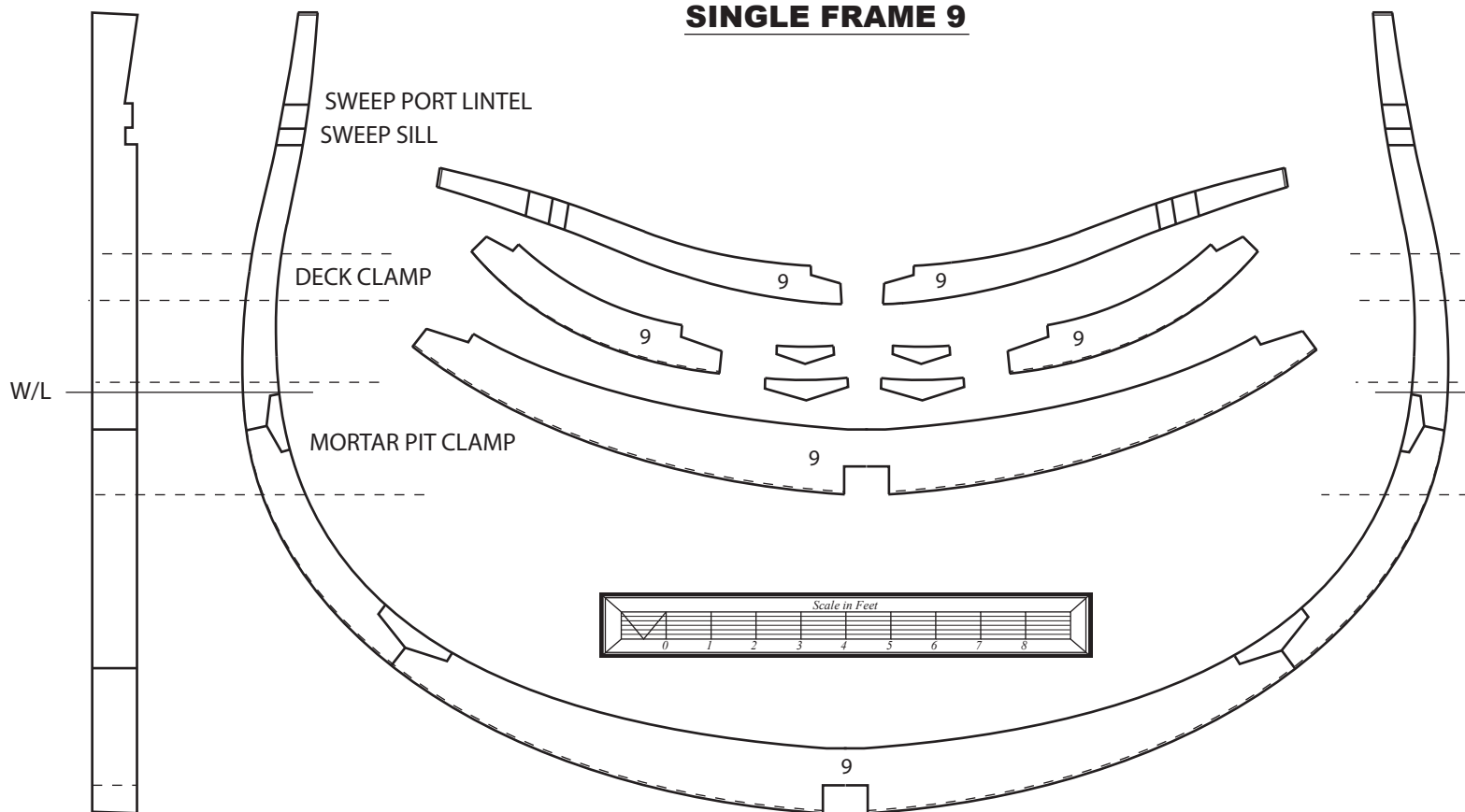




www.modelshipbuilder.com

◦ BOMB VESSEL ◦
1742

SINGLE FRAME 9

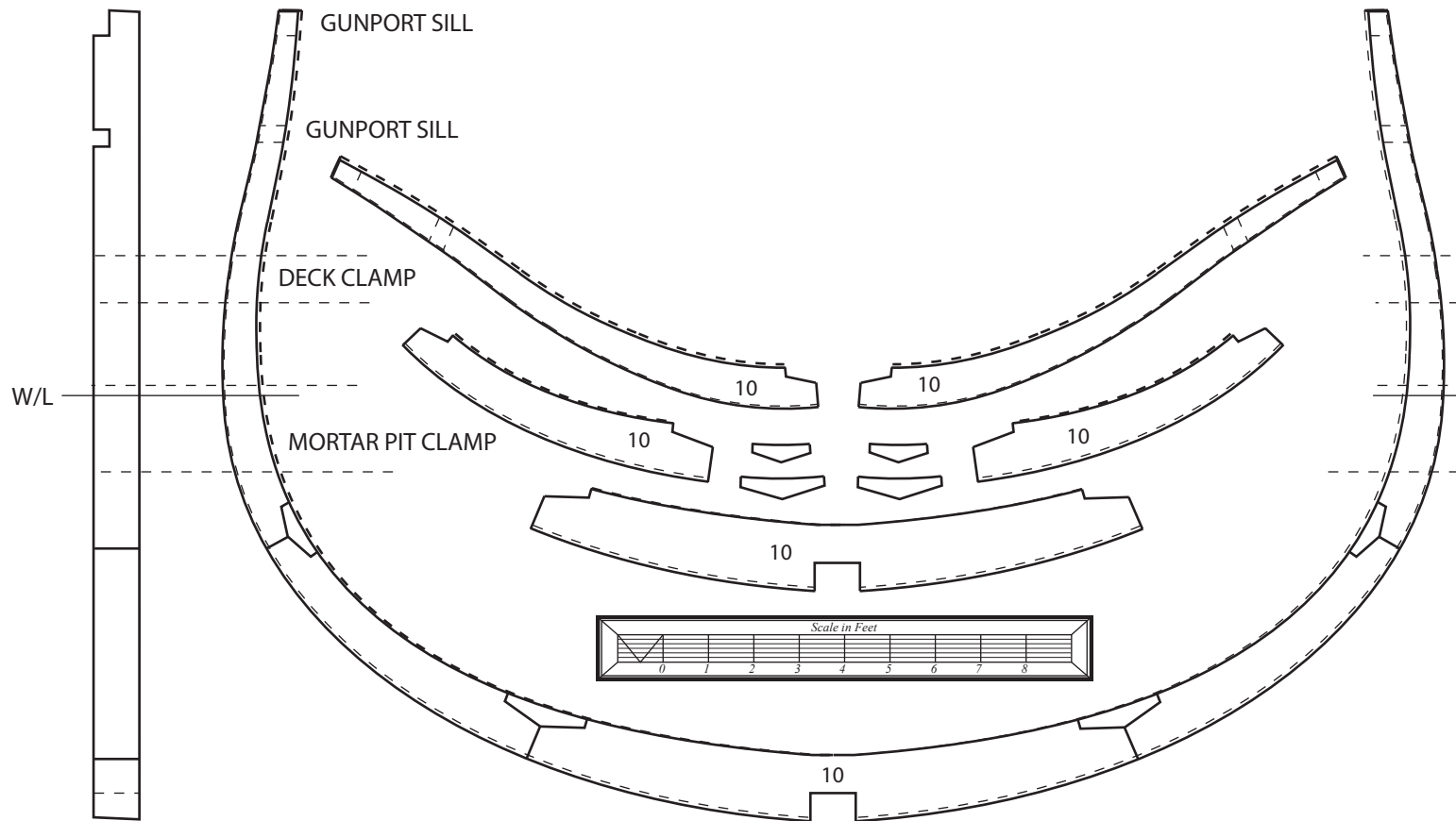




www.modelshipbuilder.com

• BOMB VESSEL •
1742

SINGLE FRAME 10

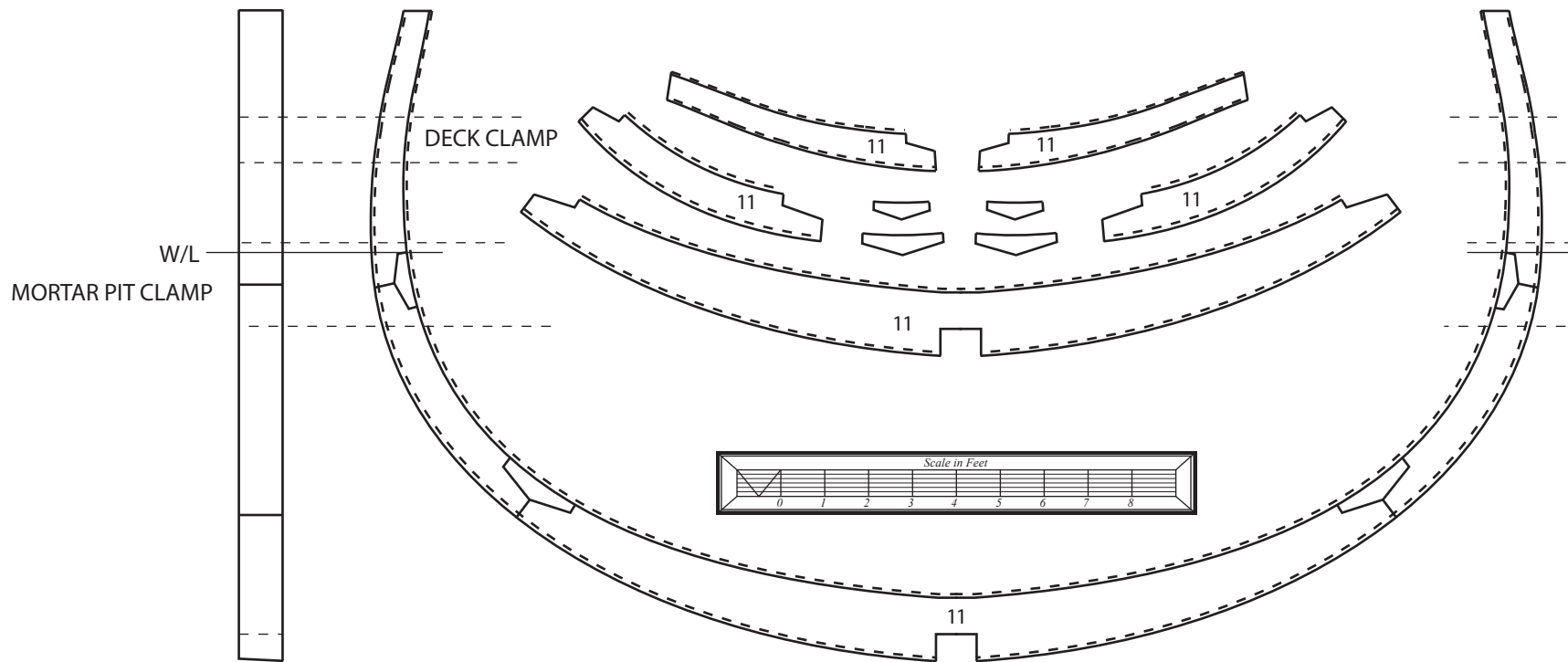




www.modelshipbuilder.com

· BOMB VESSEL ·
1742

SINGLE FRAME 11



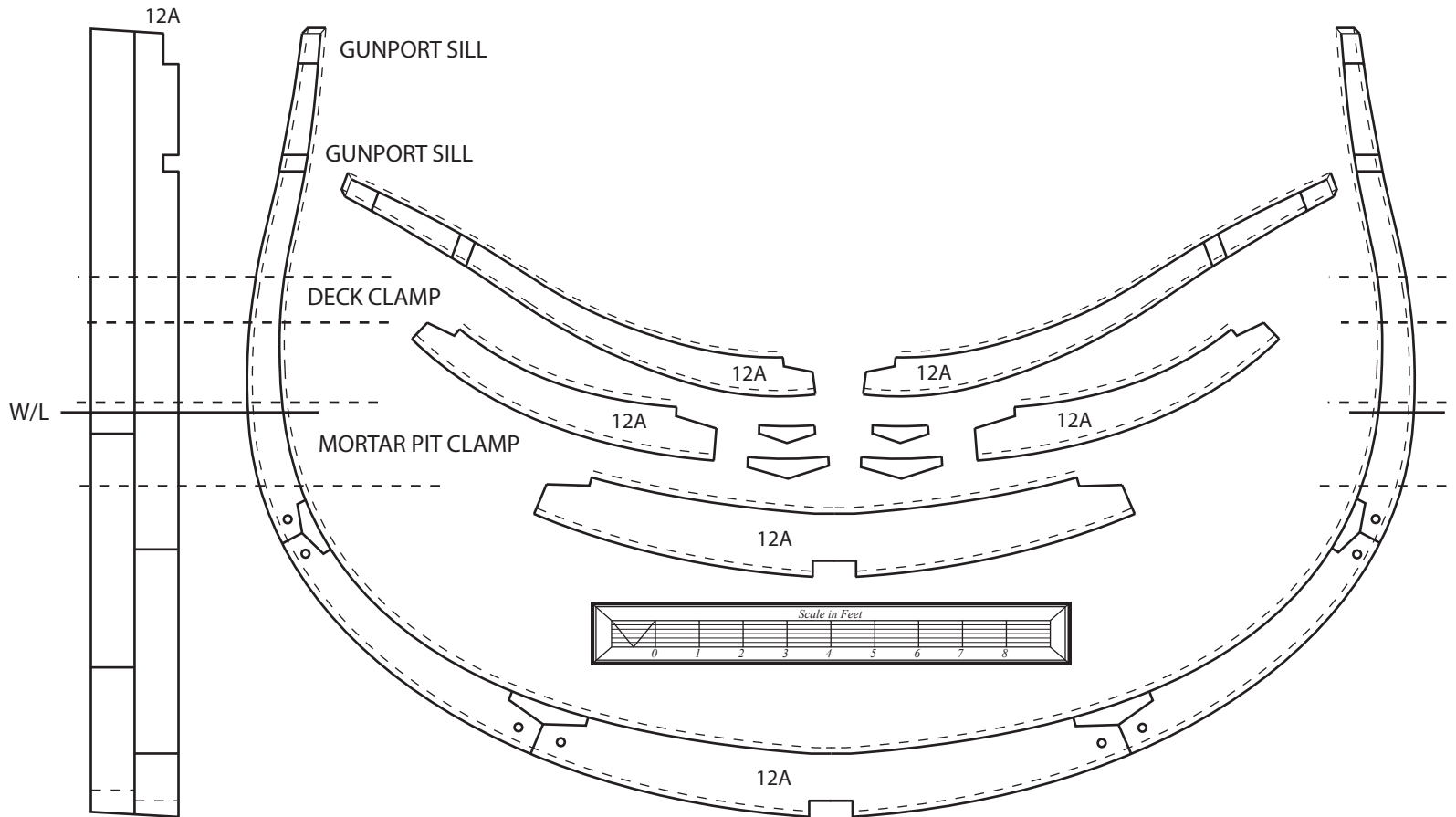


ModelShipBuilder

www.modelshipbuilder.com



DOUBLE FRAME 12A

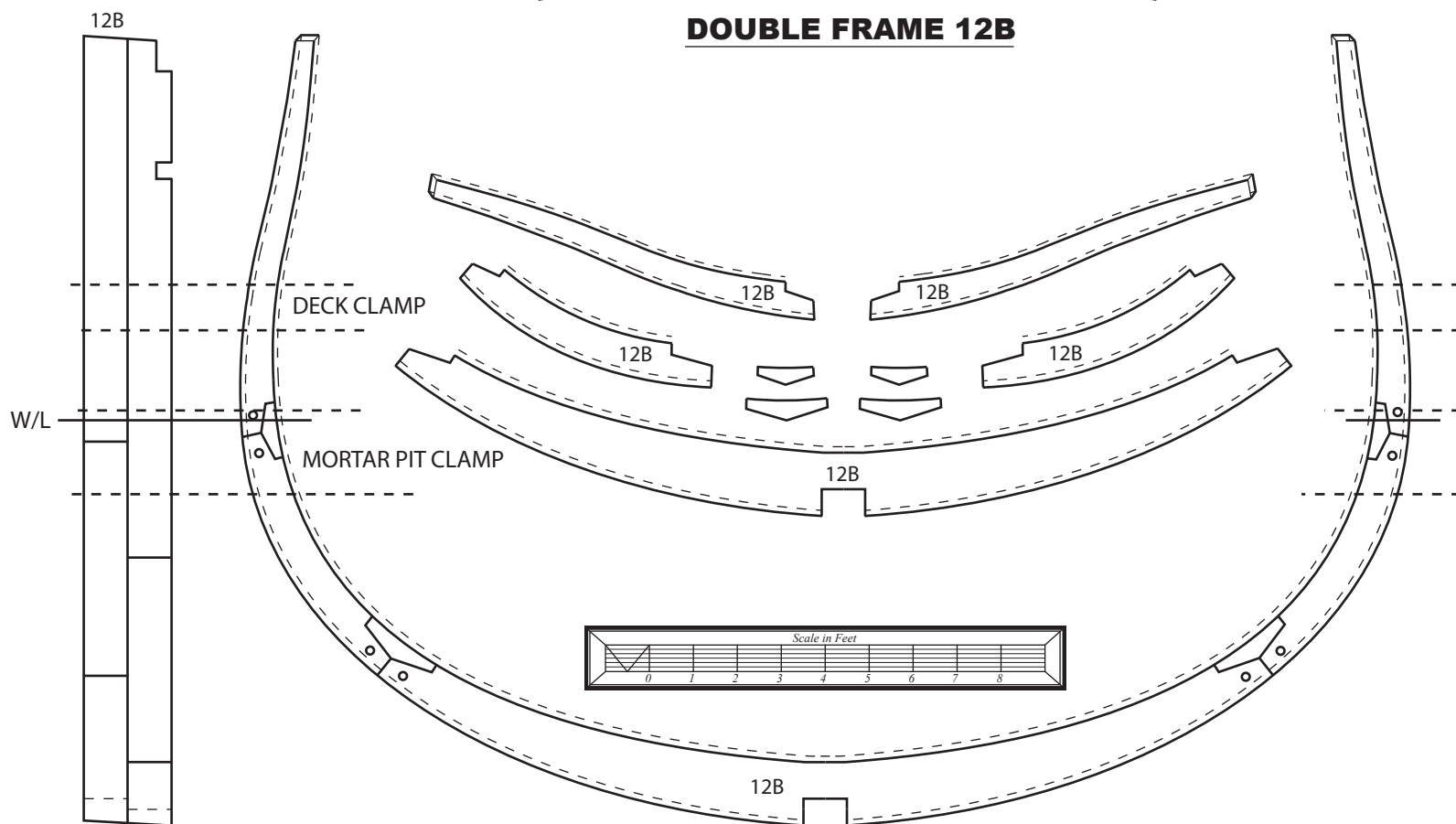




www.modelshipbuilder.com

◦ BOMB VESSEL ◦
1742

DOUBLE FRAME 12B



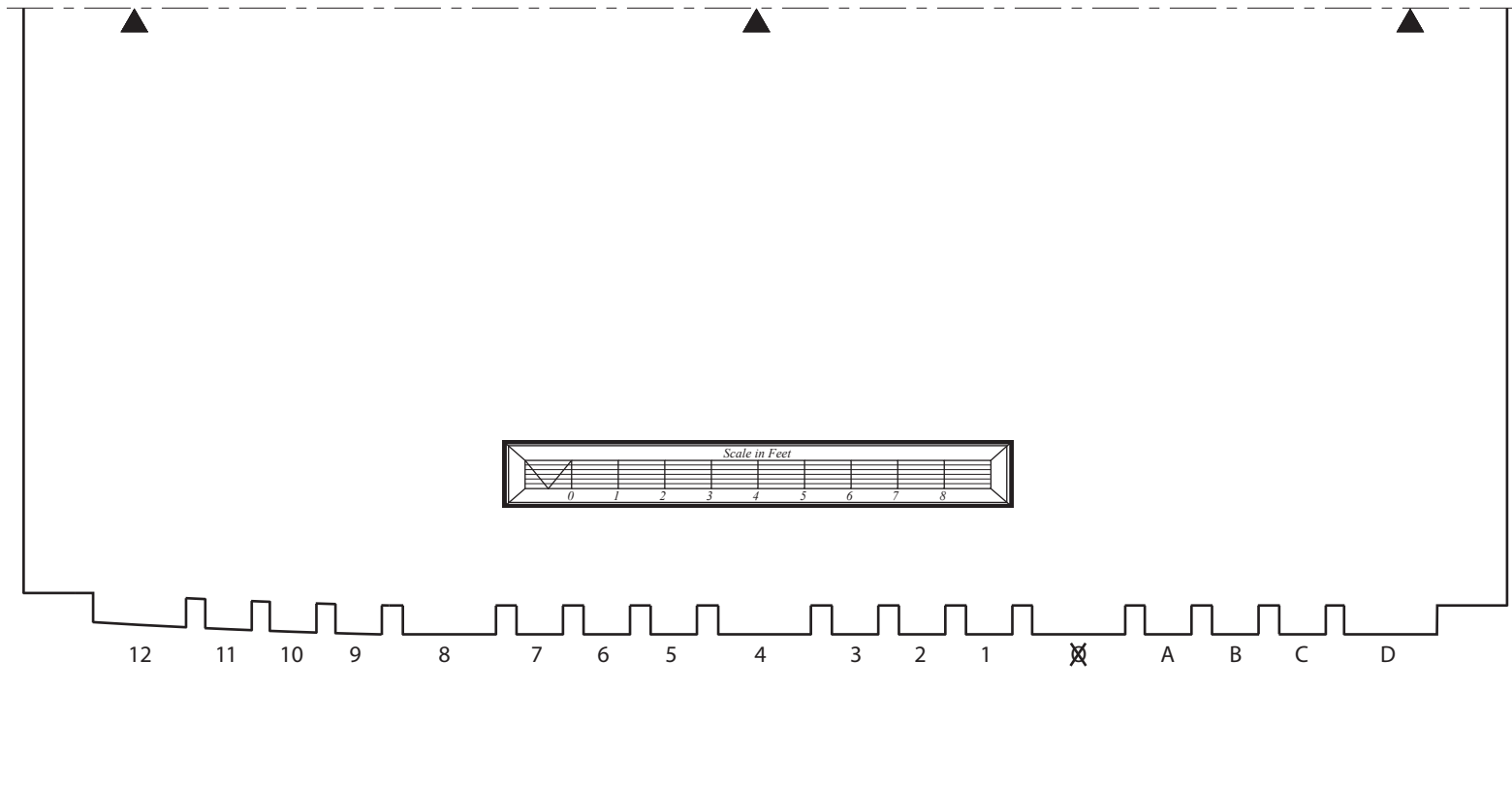


ModelShipBuilder

www.modelshipbuilder.com



FRAMING JIG TEMPLATE

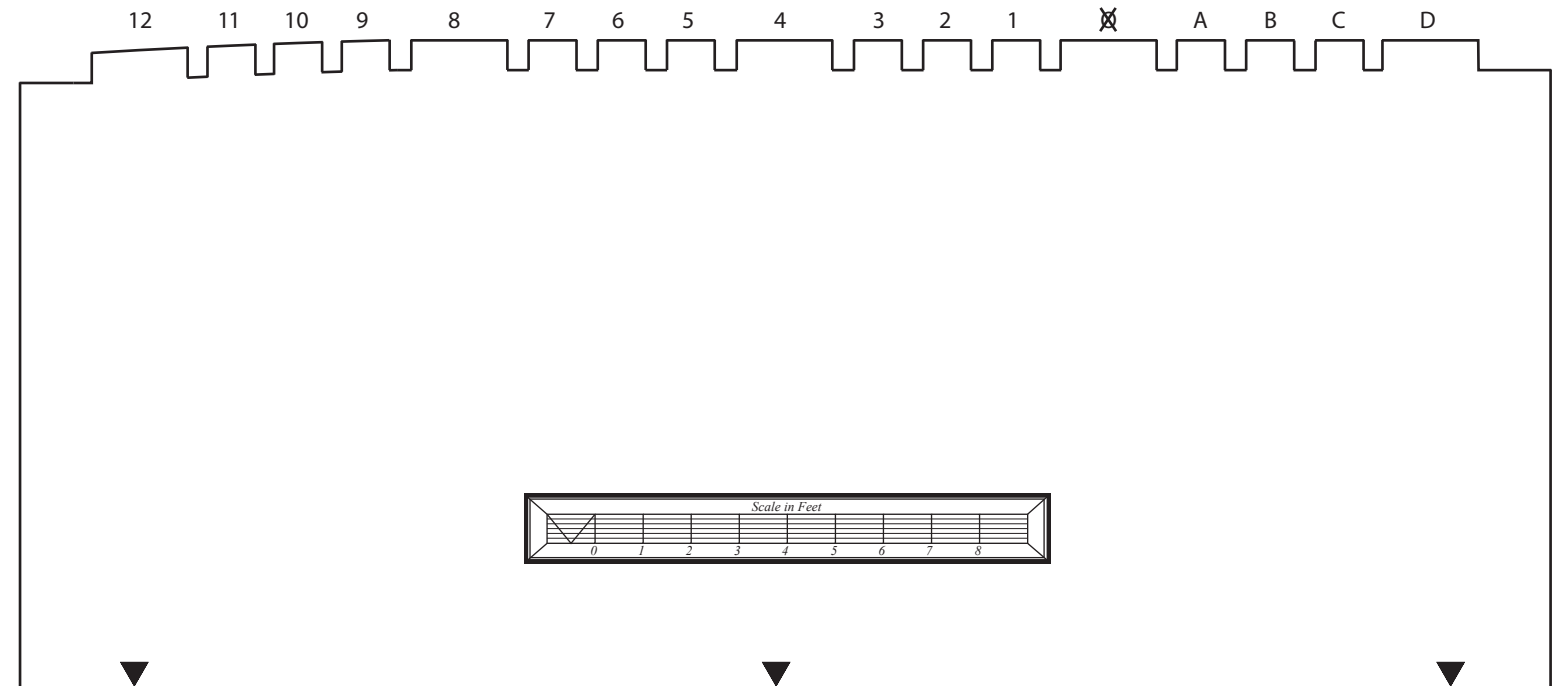




www.modelshipbuilder.com



FRAMING JIG TEMPLATE

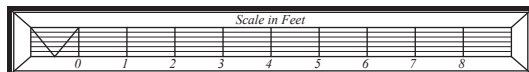
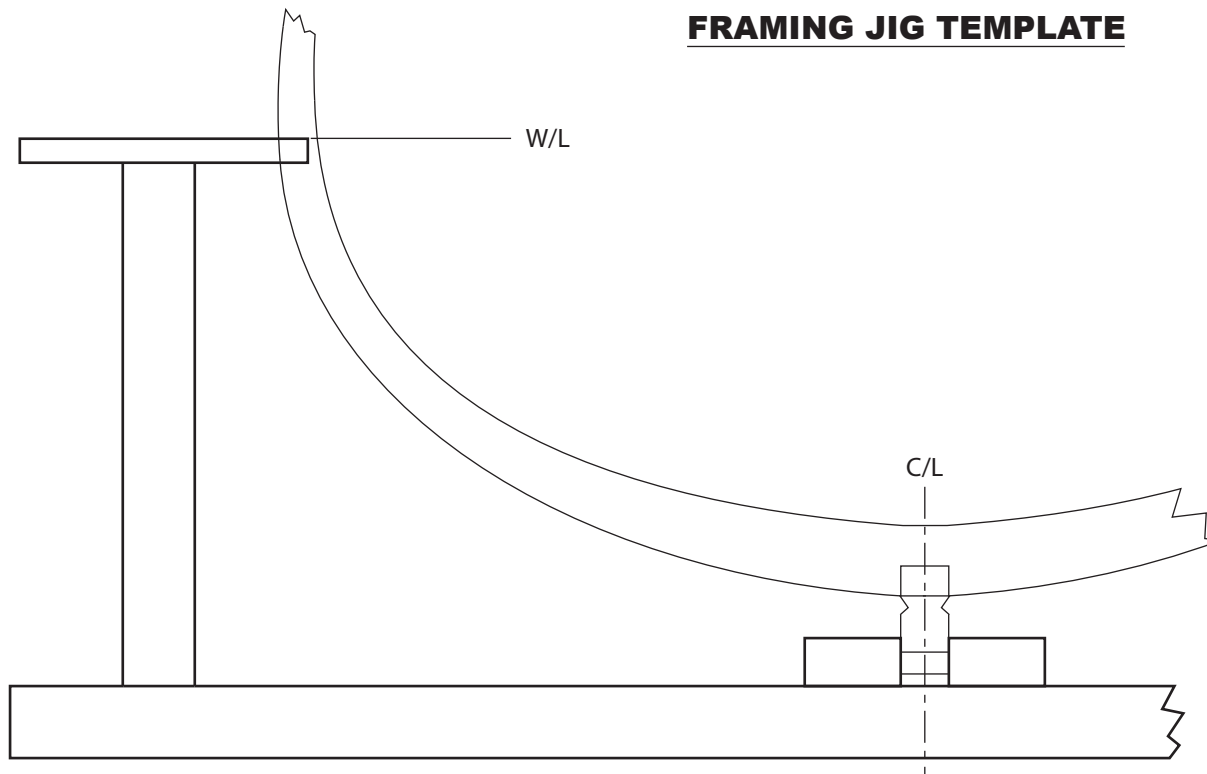


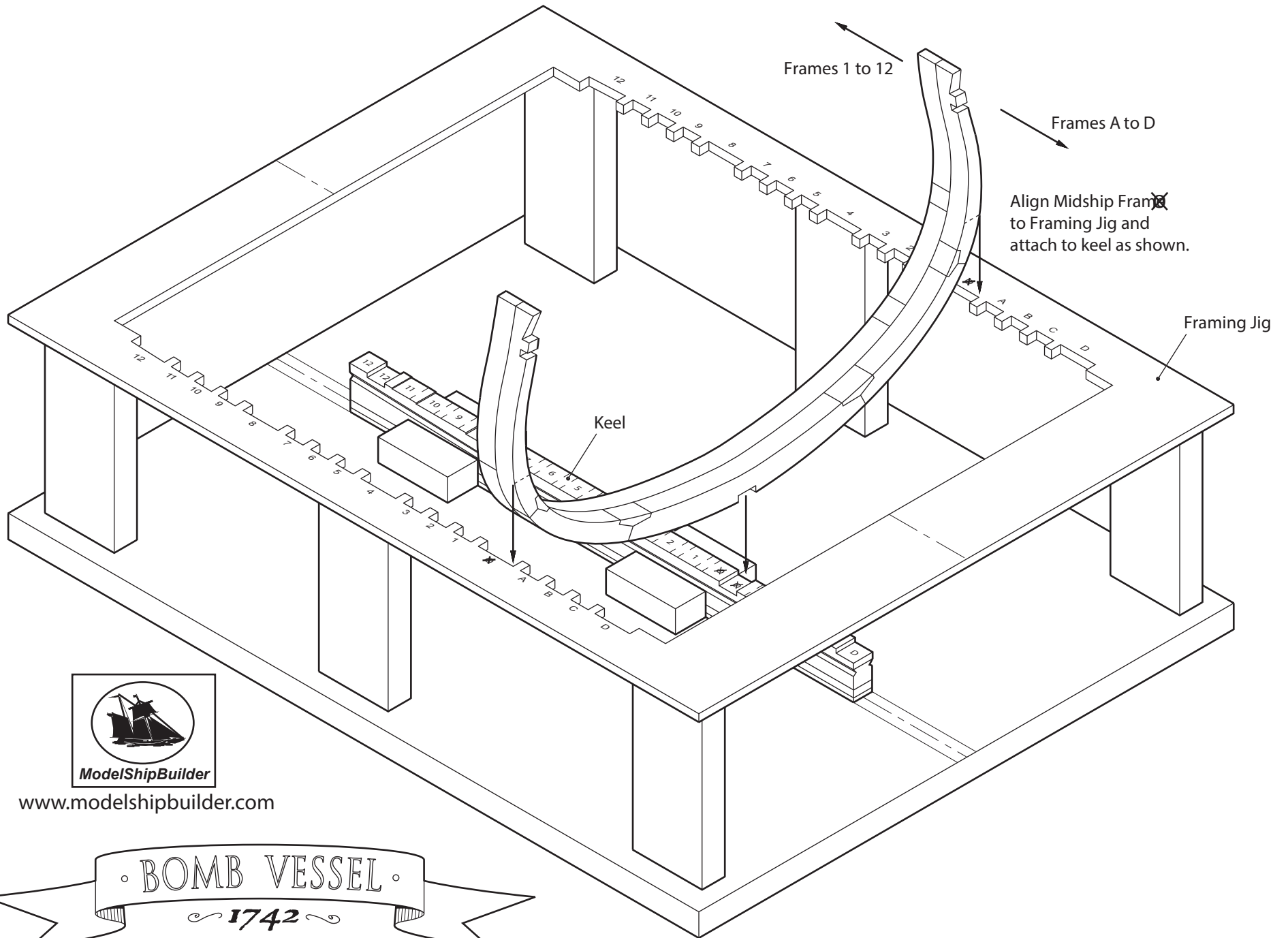


www.modelshipbuilder.com



FRAMING JIG TEMPLATE





ModelShipBuilder

www.modelshipbuilder.com

• BOMB VESSEL •
~ 1742 ~

FRAMING JIG ASSEMBLY

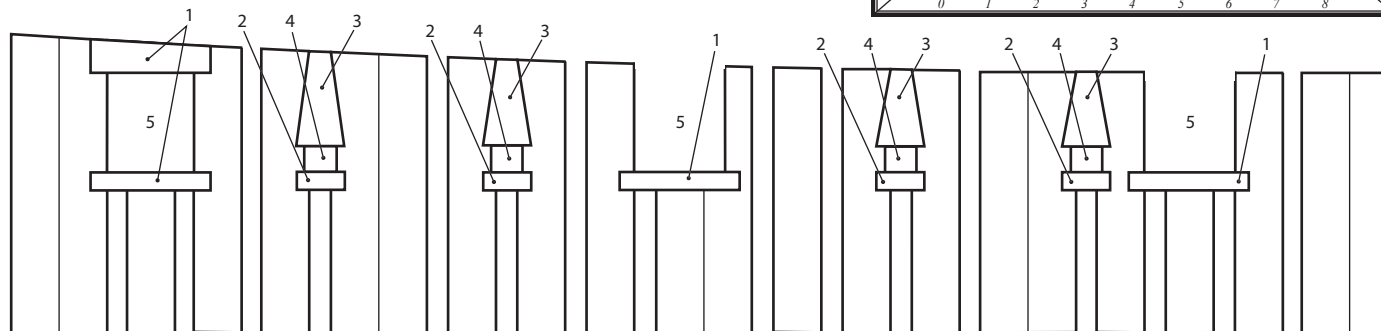
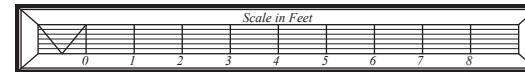
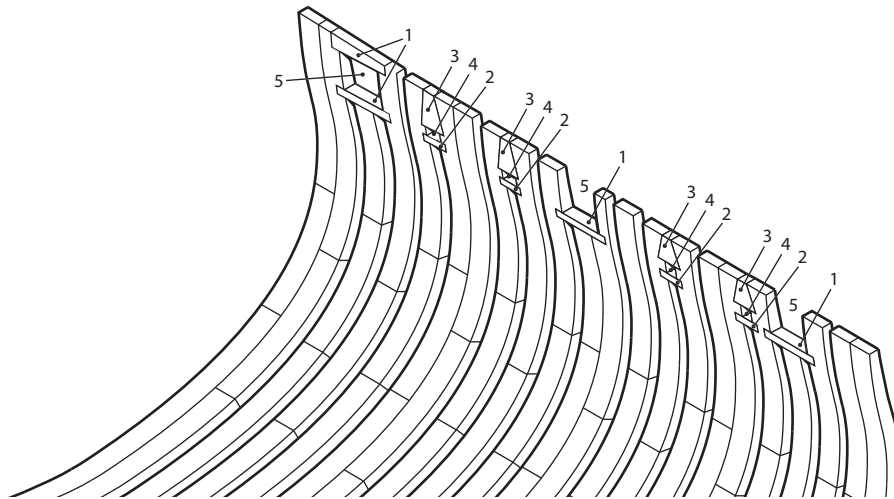


www.modelshipbuilder.com



GUNPORT & SWEEP SILLS

1. Gunport Sill
2. Sweep Sill
3. Filling Lintel
4. Sweep Port
5. Gunport



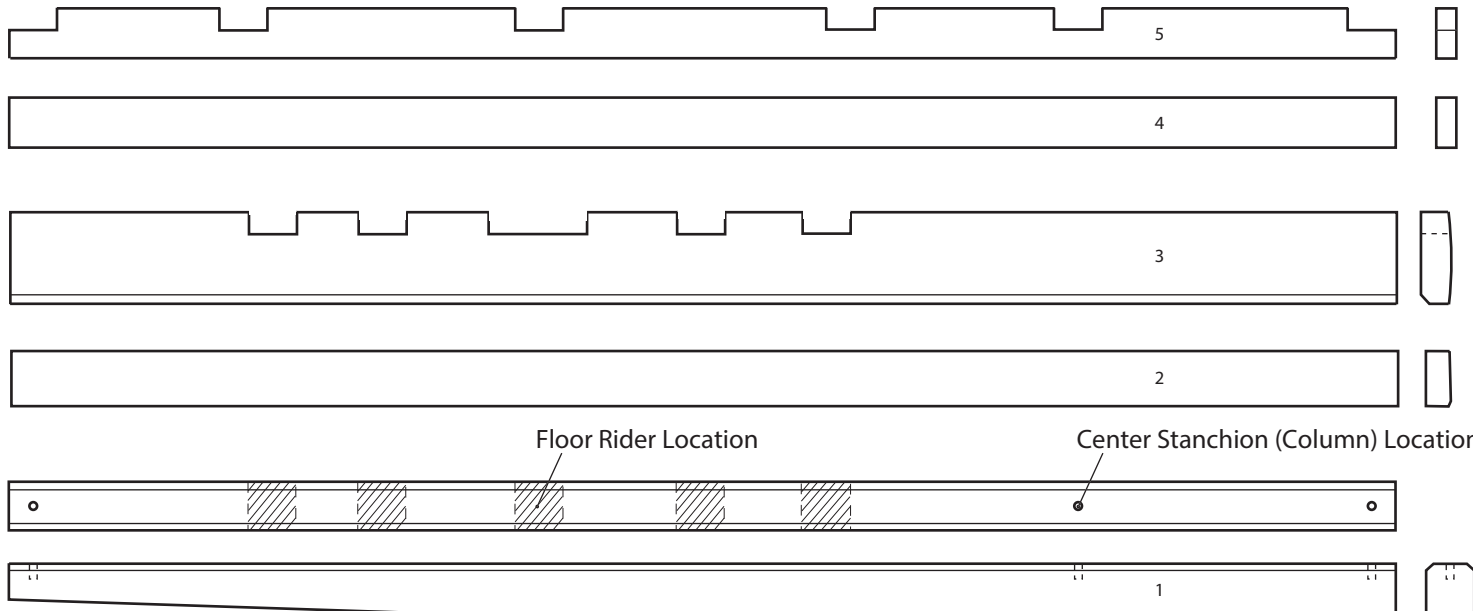


www.modelshipbuilder.com



KEELSON & DECK CLAMPS

1. Keelson
2. Mortar Pit Deck Clamp (Lower Strake)
3. Mortar Pit Deck Clamp (Upper Strake)
4. Upper Deck Clamp (Lower Strake)
5. Upper Deck Clamp (Upper Strake)



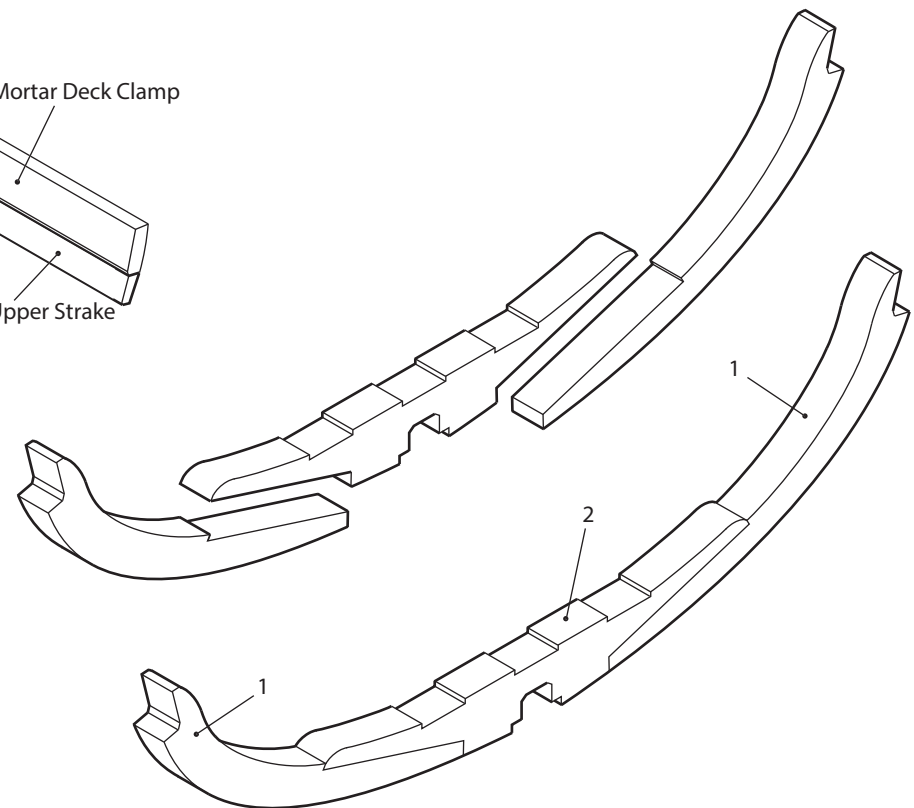
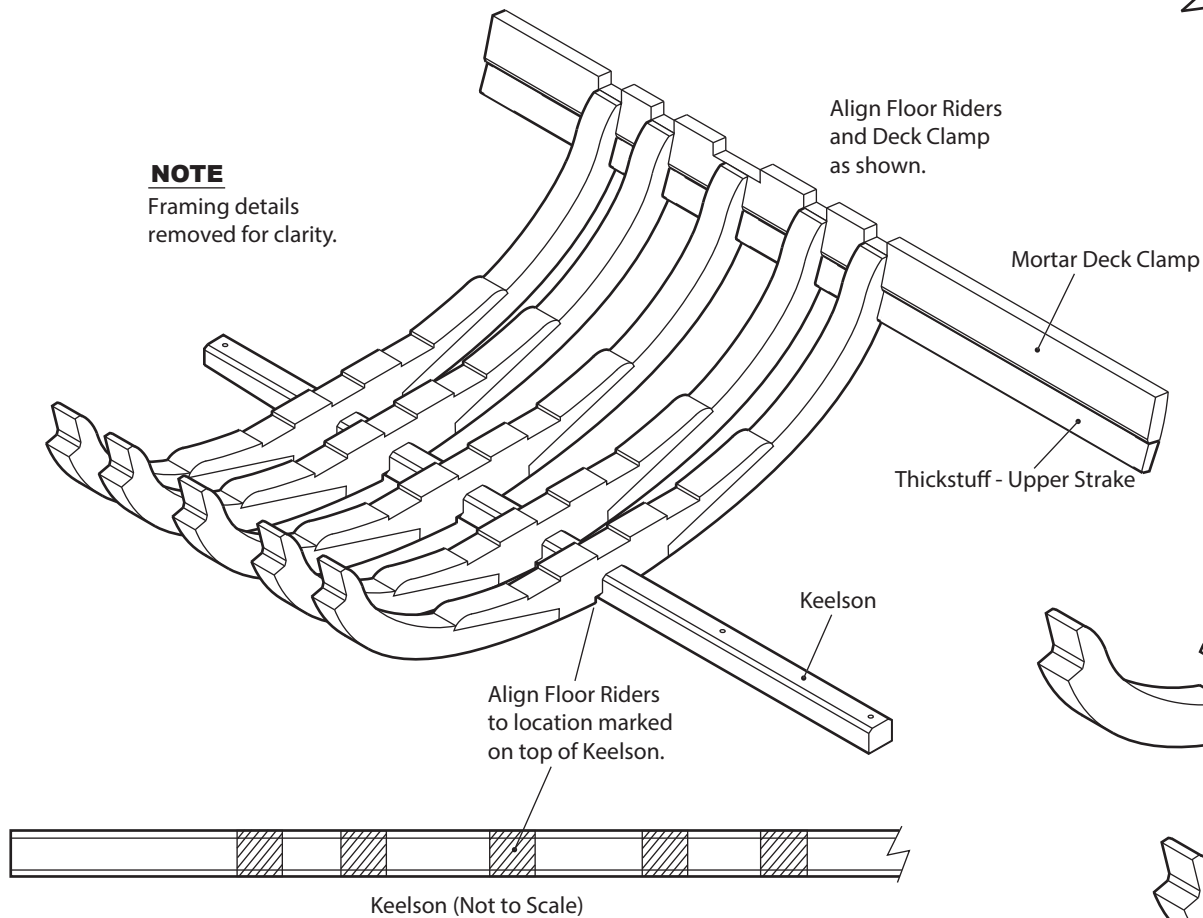


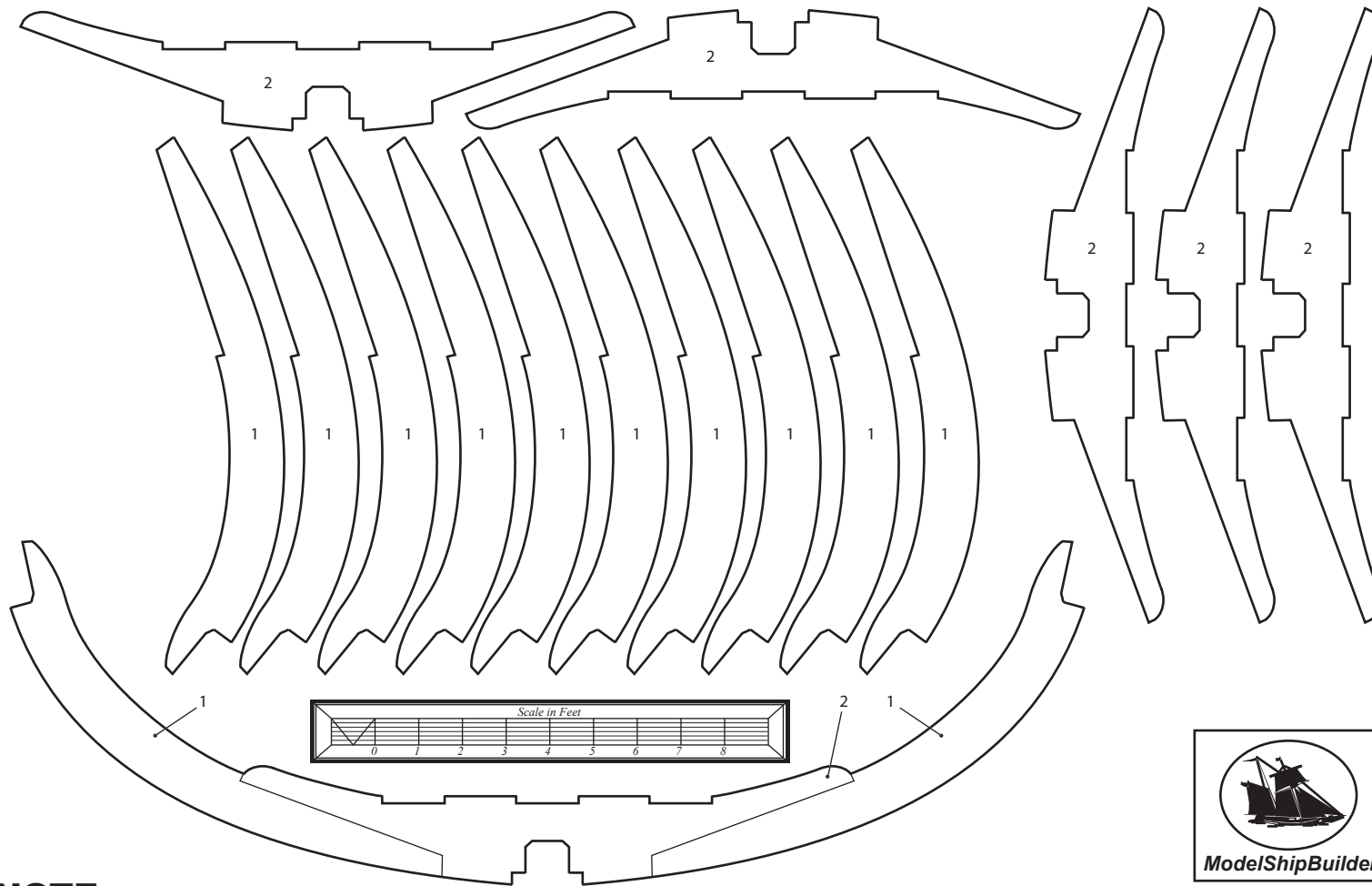
www.modelshipbuilder.com



FLOOR RIDERS

1. Futtock Rider
2. Floor Rider





NOTE

All Floor Rider pieces are 1/4" (1'-0") material thickness.



www.modelshipbuilder.com



FLOOR RIDER PARTS TEMPLATE

1. Futtock Rider
2. Floor Rider



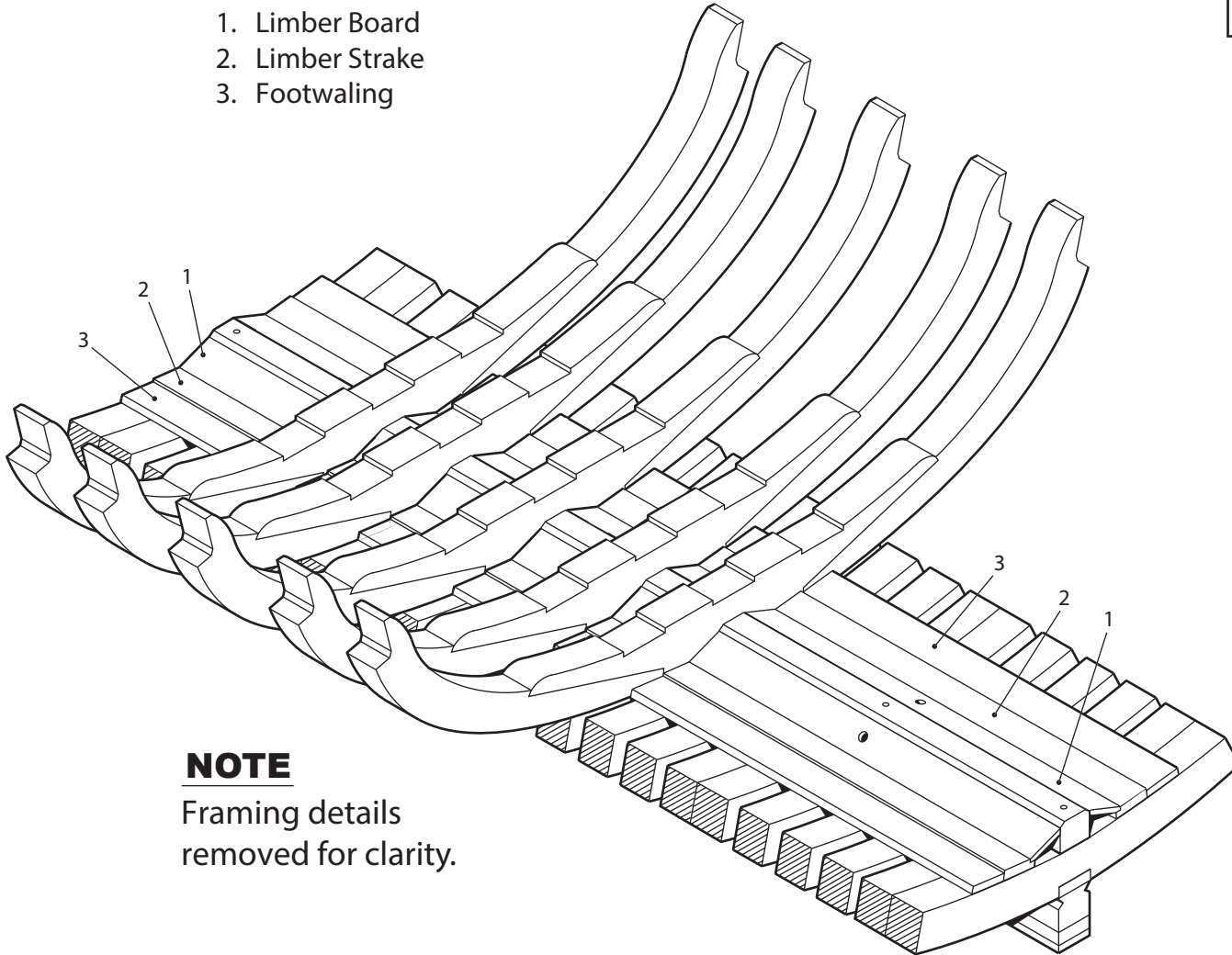
www.modelshipbuilder.com

BOMB VESSEL

1742

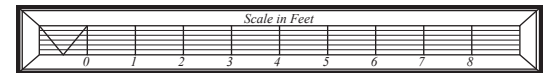
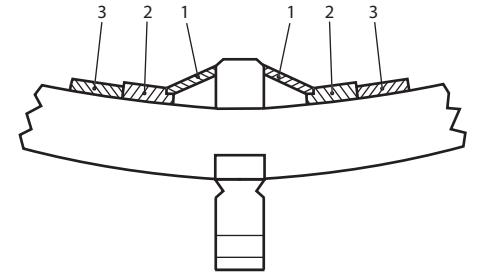
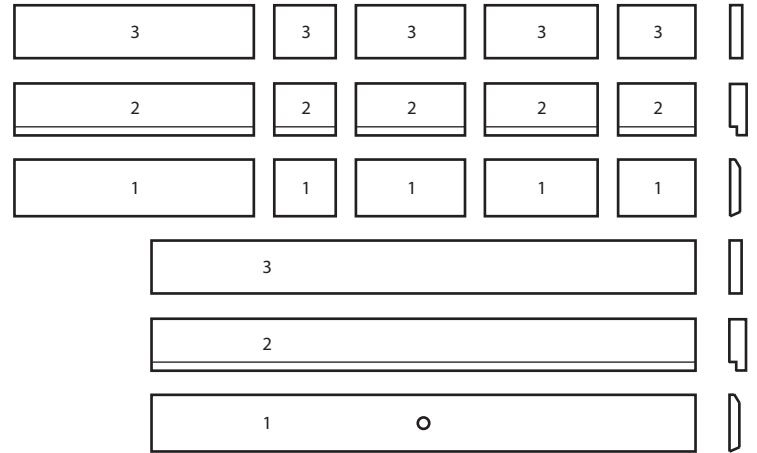
LIMBER BOARD & STRAKE

- 1. Limber Board
- 2. Limber Strake
- 3. Footwaling



NOTE

Framing details removed for clarity.



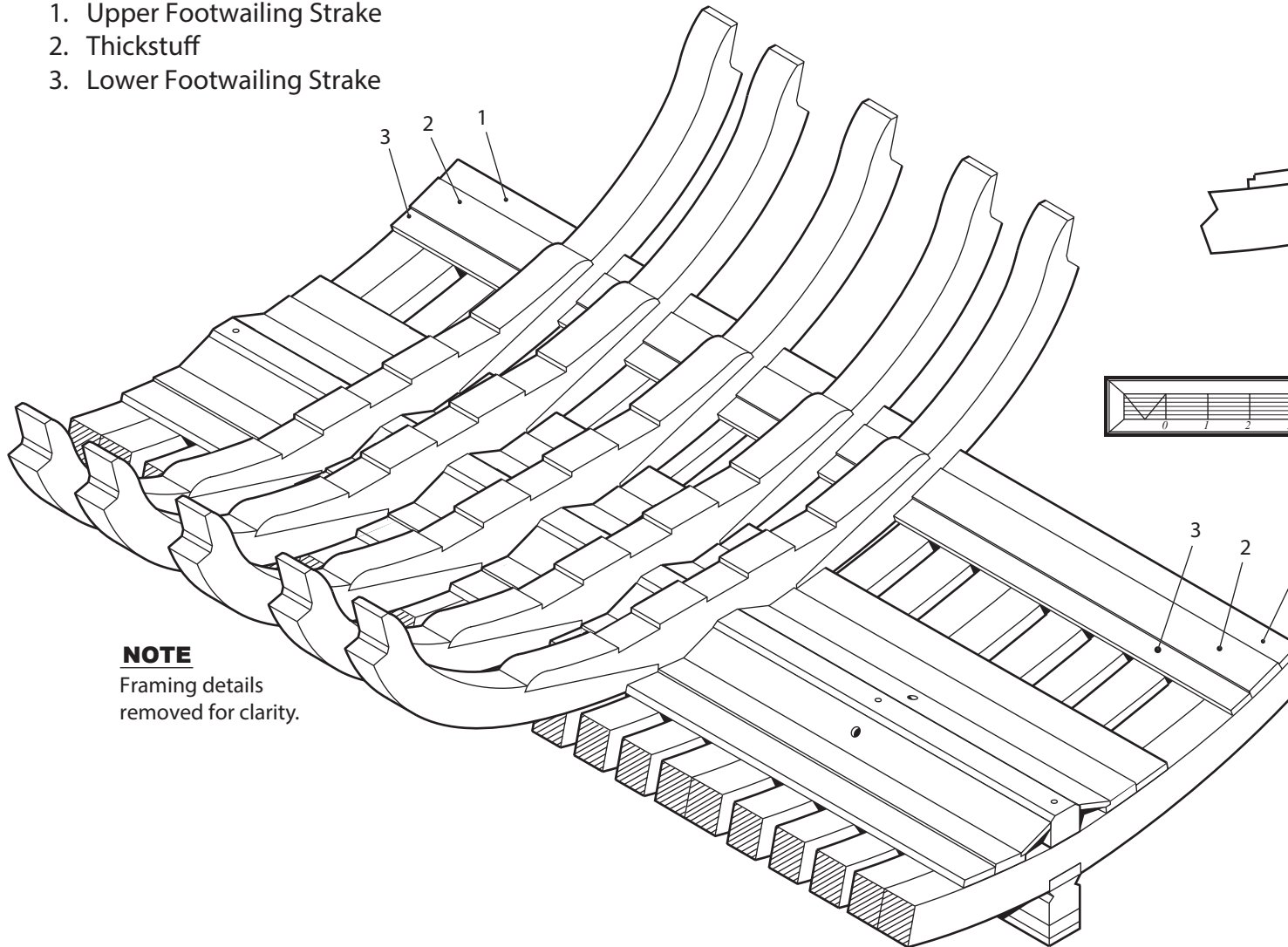


www.modelshipbuilder.com

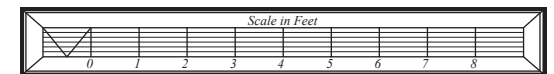
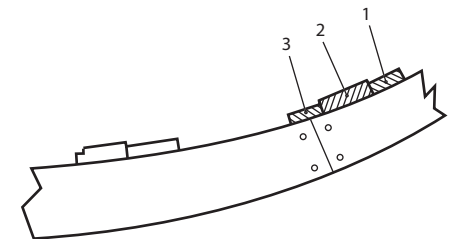
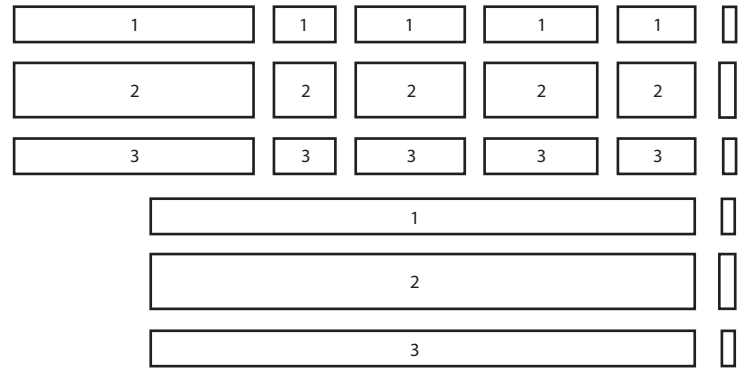


FOOTWAILING STRAKE

1. Upper Footwailing Strake
2. Thickstuff
3. Lower Footwailing Strake



NOTE
Framing details
removed for clarity.





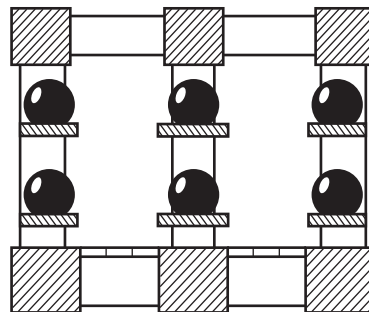
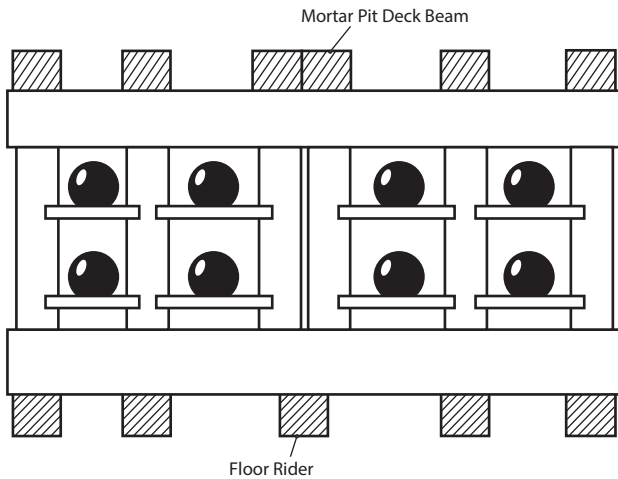
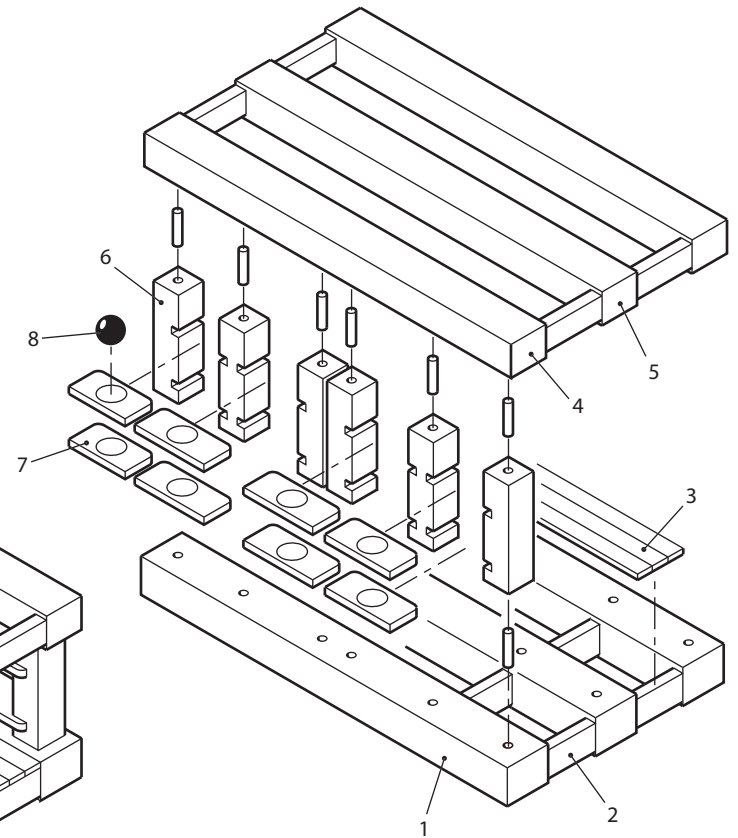
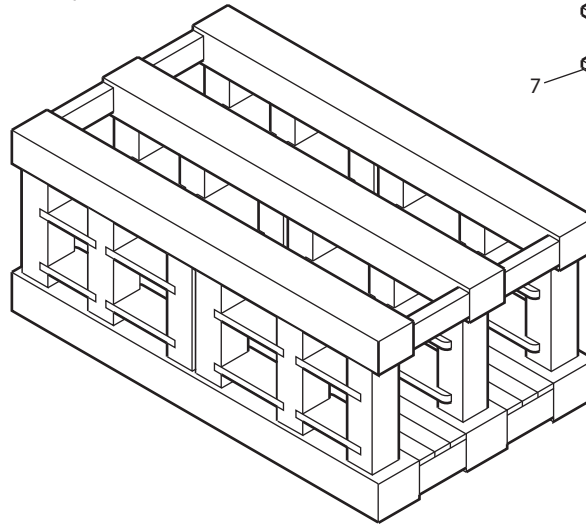
www.modelshipbuilder.com

BOMB VESSEL

1742

SHELL ROOM

1. Support Beam (Lower)
2. Shell Room Deck Beam
3. Shell Room Deck
4. Support Beam (Upper)
5. Filling Timber
6. Pillar
7. Shell Rack
8. Shell



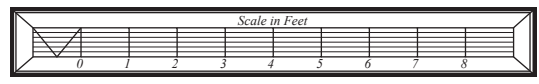
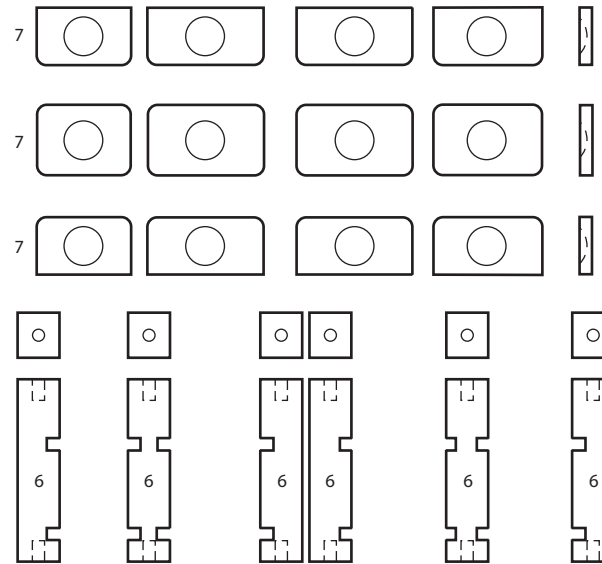
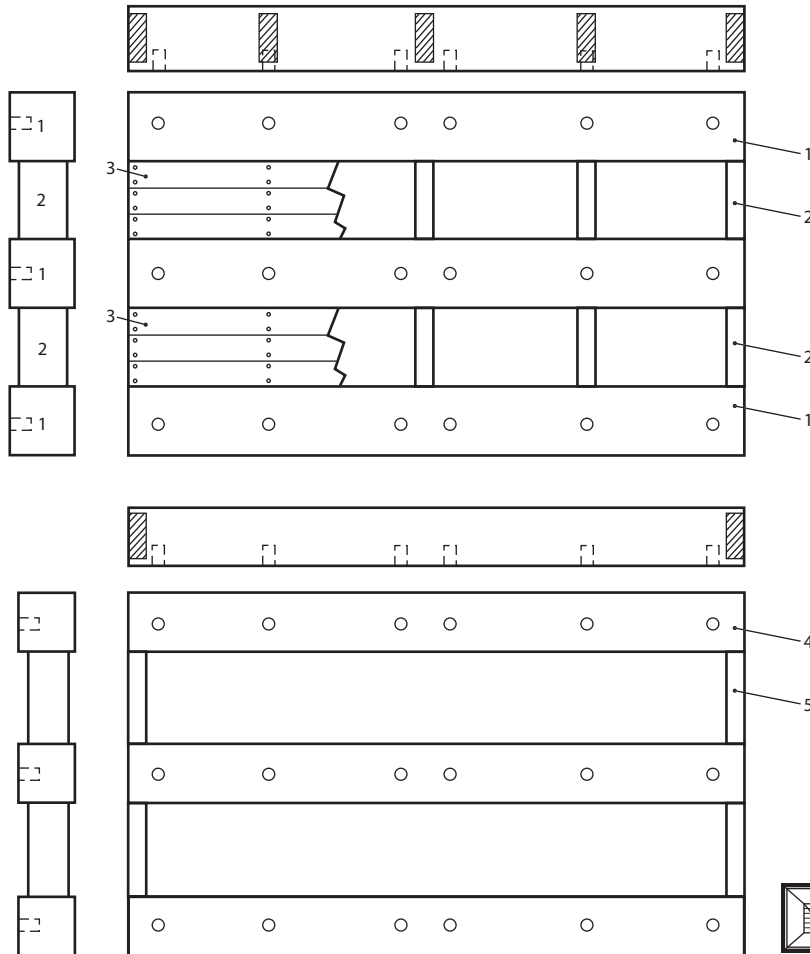


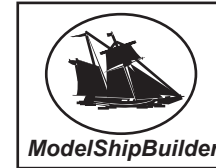
www.modelshipbuilder.com



SHELL ROOM

1. Support Beam (Lower)
2. Shell Room Deck Beam
3. Shell Room Deck
4. Support Beam (Upper)
5. Filling Timber
6. Pillar
7. Shell Rack



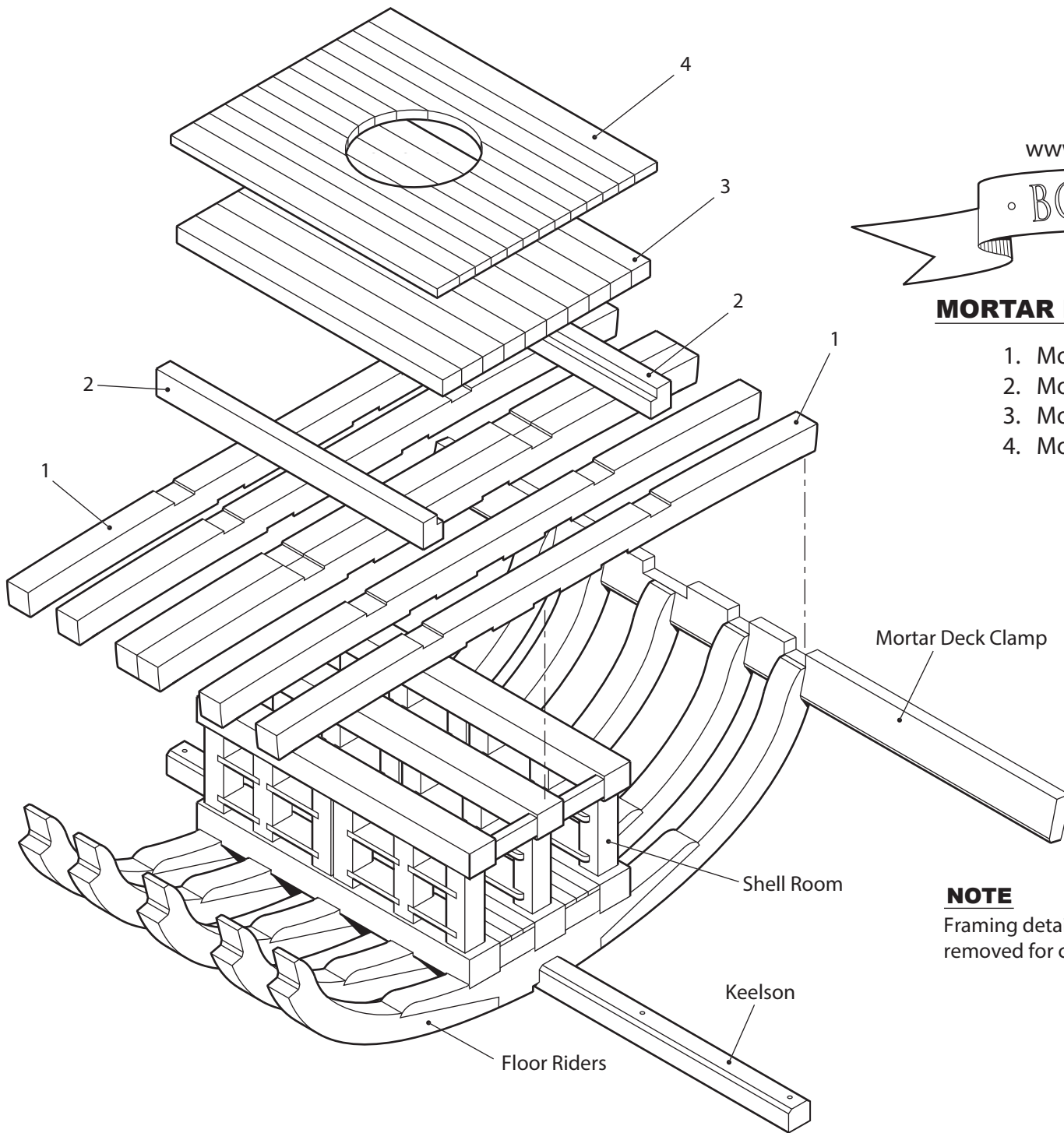


www.modelshipbuilder.com



MORTAR PIT BEAMS & PLANKING

1. Mortar Pit Beam
2. Mortar Pit Boundary Timber
3. Mortar Pit Primary Planking
4. Mortar Pit Secondary Planking



NOTE
Framing details
removed for clarity.

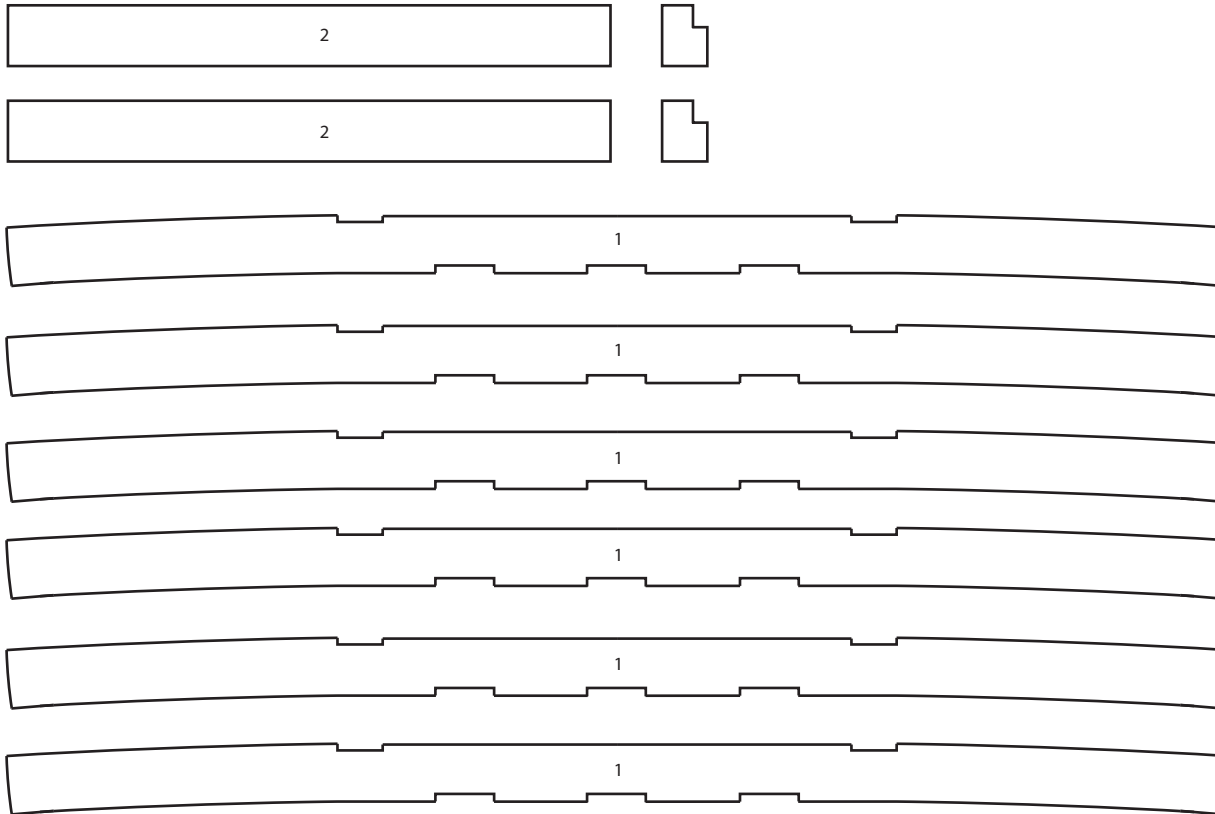


www.modelshipbuilder.com



MORTAR PIT BEAM - PARTS TEMPLATE

1. Mortar Pit Beam
2. Mortar Pit Boundary Timber



NOTE
All Beam pieces
are 1/4" (1'-0")
material thickness.



ModelShipBuilder

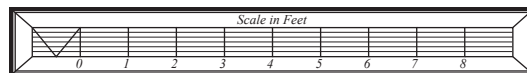
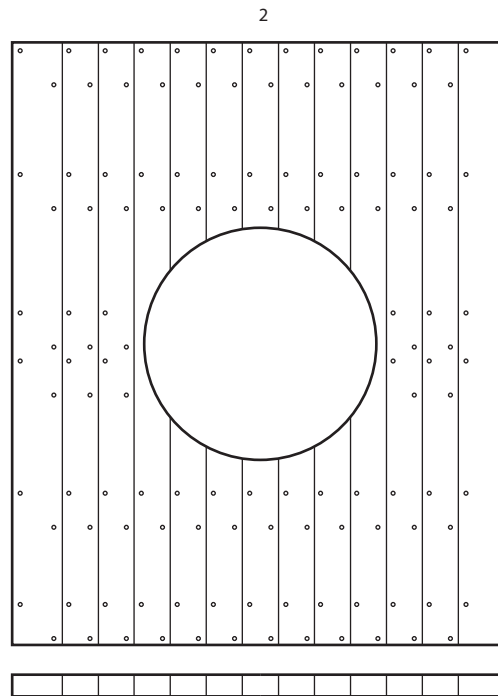
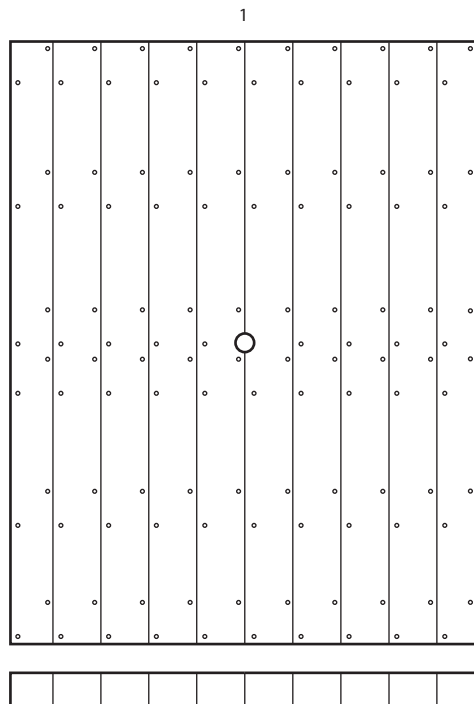
www.modelshipbuilder.com

◦ BOMB VESSEL ◦

1742

MORTAR PIT PLANKING - PARTS TEMPLATE

1. Mortar Pit Primary Planking
2. Mortar Pit Secondary Planking



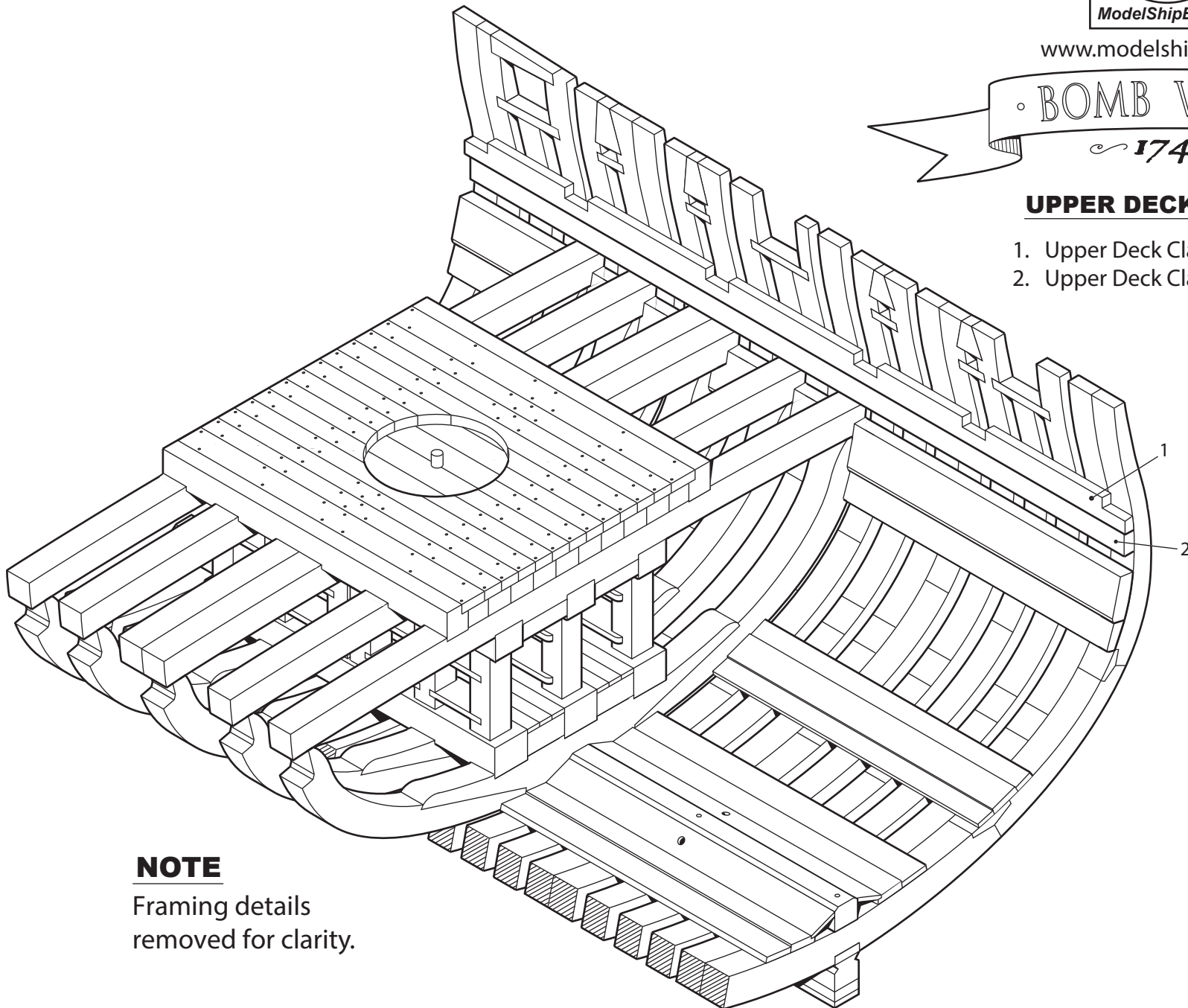


www.modelshipbuilder.com

◦ BOMB VESSEL ◦
1742

UPPER DECK CLAMPS

1. Upper Deck Clamp (Upper Strake)
2. Upper Deck Clamp (Lower Strake)



NOTE

Framing details
removed for clarity.

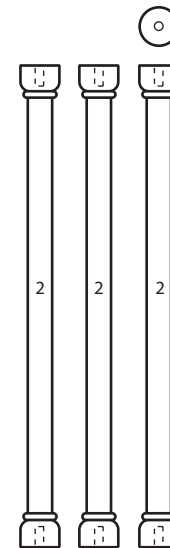
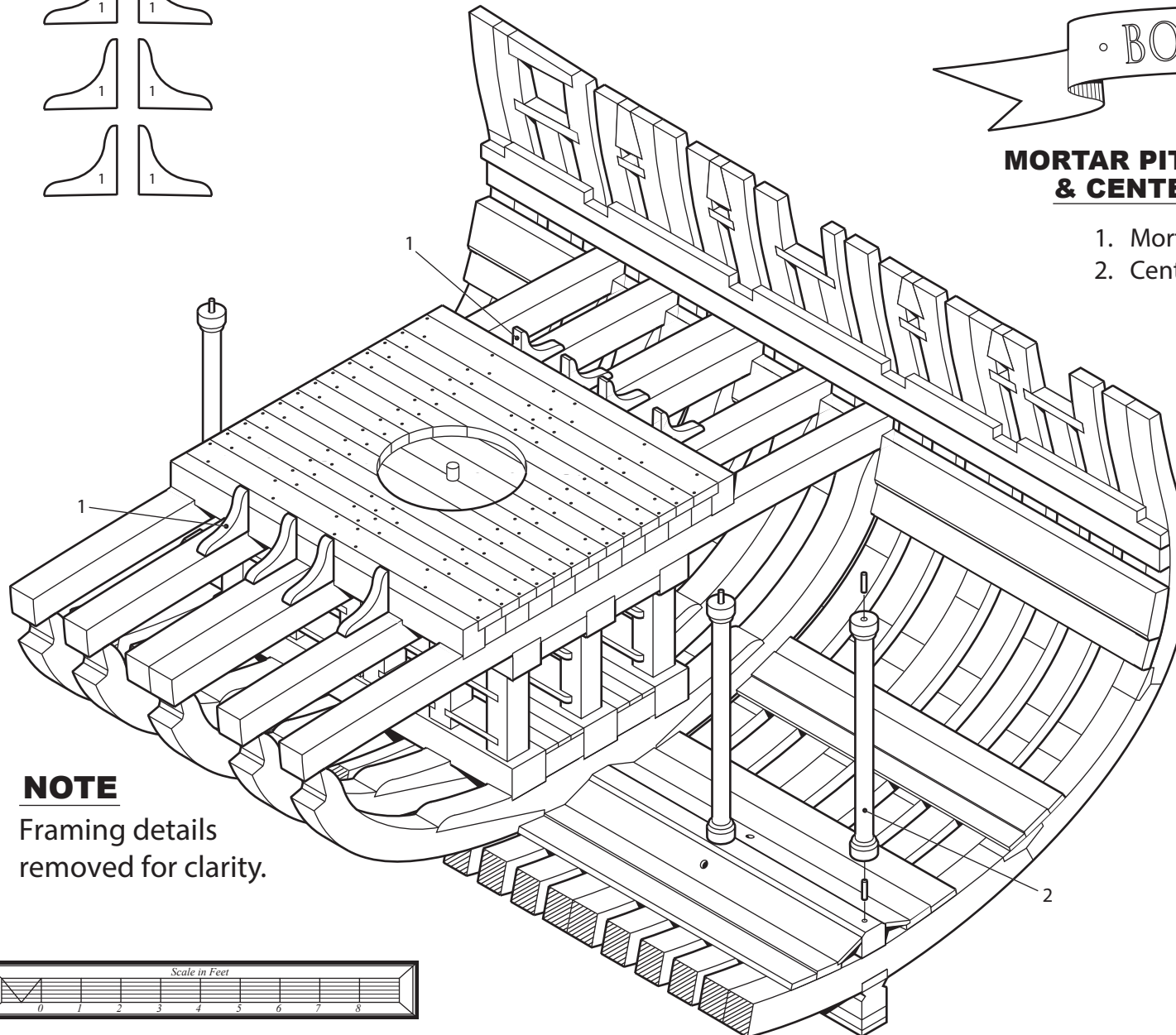
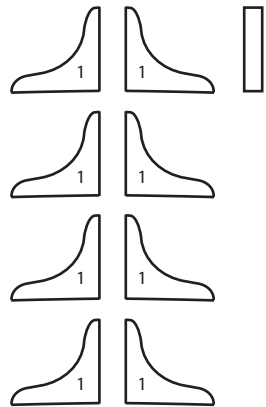


www.modelshipbuilder.com

◦ BOMB VESSEL ◦
1742

**MORTAR PIT SUPPORT STANDARDS
& CENTERLINE STANCHIONS**

- 1. Mortar Pit Support Standard
- 2. Centerline Stanchion



NOTE
Framing details
removed for clarity.



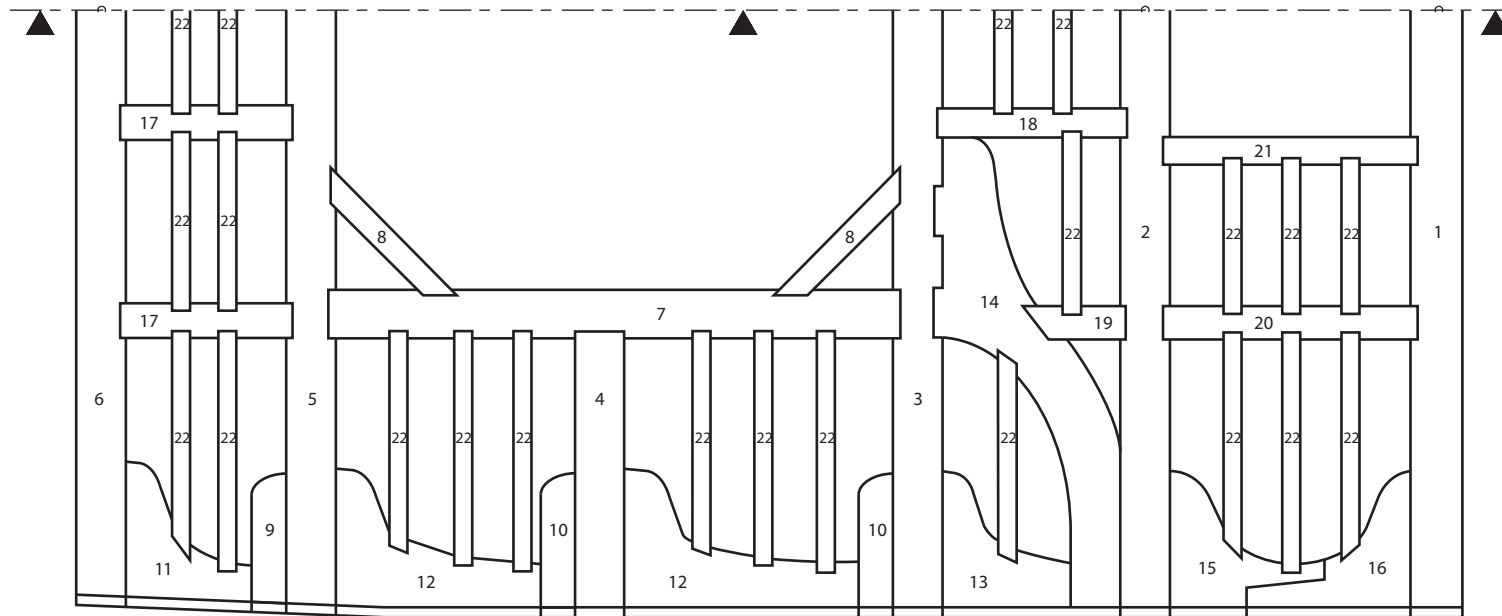
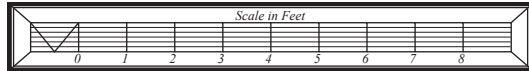


www.modelshipbuilder.com



UPPER DECK - TOP VIEW STARBOARD SIDE

- | | | |
|--------------------|-------------------------|------------------------|
| 1. Upper Deck Beam | 9. Hanging Knee | 17. Carling |
| 2. Upper Deck Beam | 10. Hanging Knee | 18. Carling |
| 3. Upper Deck Beam | 11. Lodging Knee | 19. Carling |
| 4. Half Beam | 12. Lodging Knee | 20. Carling |
| 5. Upper Deck Beam | 13. Lodging Knee | 21. Main Hatch Carling |
| 6. Upper Deck Beam | 14. Beam Arm | 22. Ledges |
| 7. Trimmer Beam | 15. Double Lodging Knee | |
| 8. Angled Carling | 16. Double Lodging Knee | |



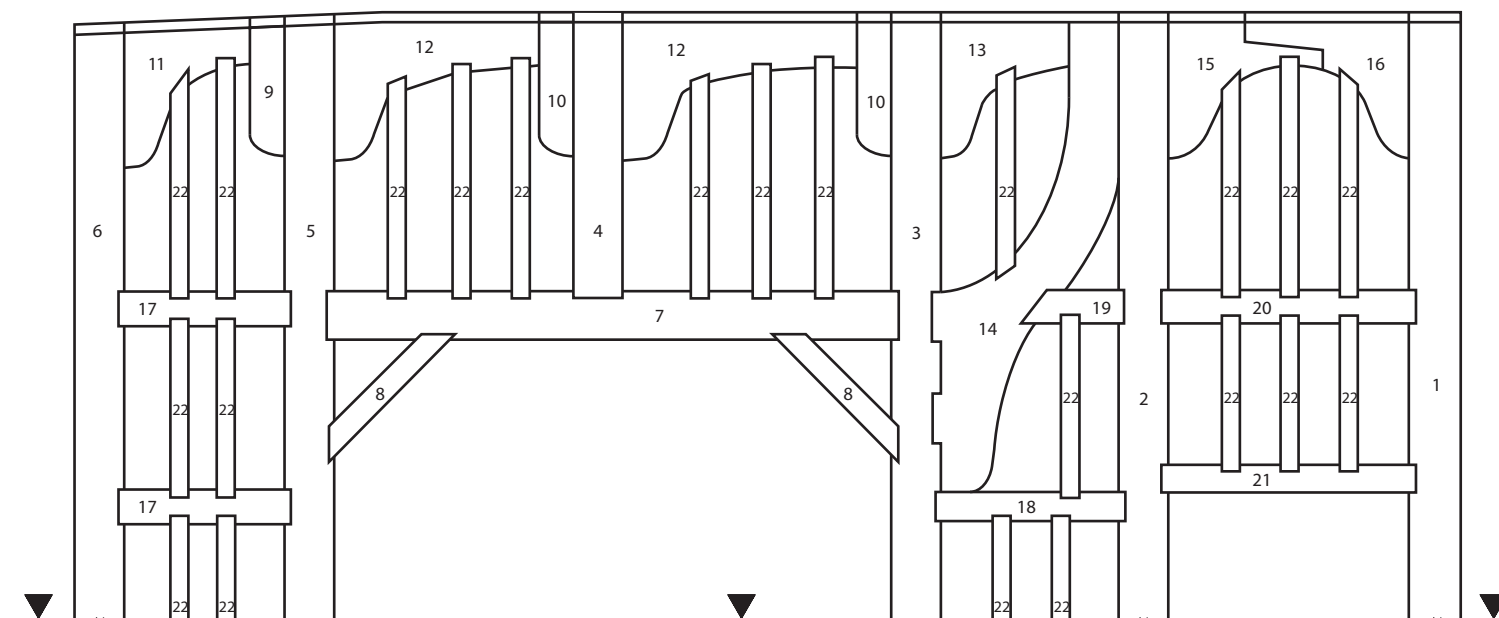
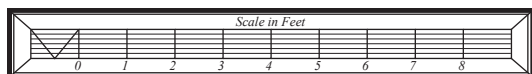


www.modelshipbuilder.com



UPPER DECK - TOP VIEW PORT SIDE

- | | | |
|--------------------|-------------------------|------------------------|
| 1. Upper Deck Beam | 9. Hanging Knee | 17. Carling |
| 2. Upper Deck Beam | 10. Hanging Knee | 18. Carling |
| 3. Upper Deck Beam | 11. Lodging Knee | 19. Carling |
| 4. Half Beam | 12. Lodging Knee | 20. Carling |
| 5. Upper Deck Beam | 13. Lodging Knee | 21. Main Hatch Carling |
| 6. Upper Deck Beam | 14. Beam Arm | 22. Ledges |
| 7. Trimmer Beam | 15. Double Lodging Knee | |
| 8. Angled Carling | 16. Double Lodging Knee | |





www.modelshipbuilder.com

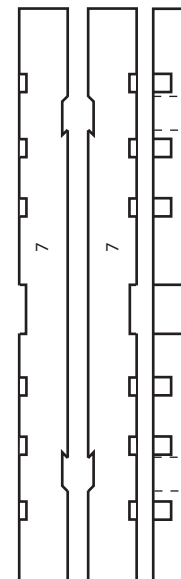
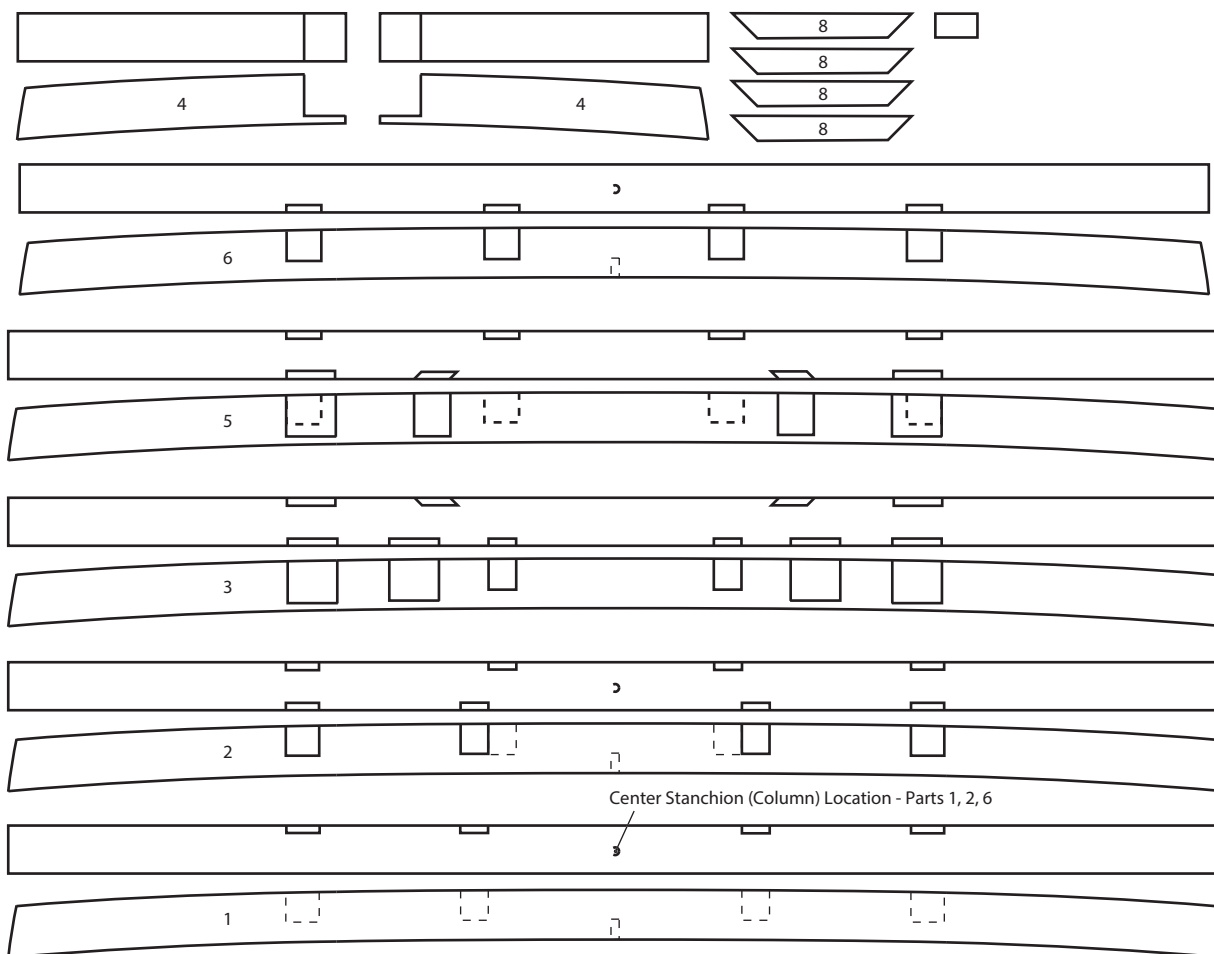


UPPER DECK TEMPLATES

NOTE

Check measurements to adjoining parts before cutting part 8 to final length.

1. Upper Deck Beam
2. Upper Deck Beam
3. Upper Deck Beam
4. Half Beam
5. Upper Deck Beam
6. Upper Deck Beam
7. Trimmer Beam
8. Angled Carling





www.modelshipbuilder.com

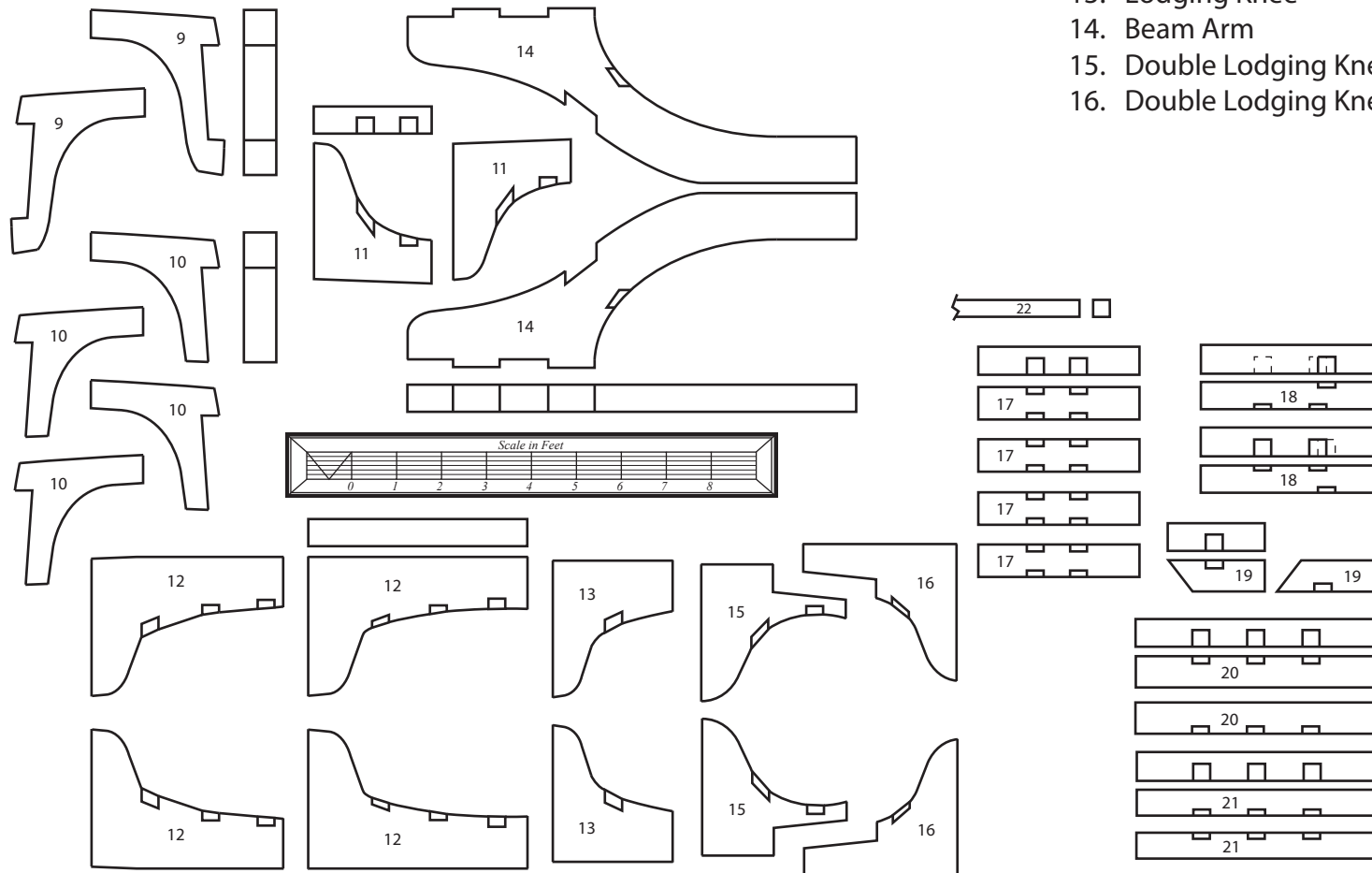


NOTE

Check measurements to adjoining parts before cutting part 22 to final lengths.

UPPER DECK TEMPLATES (Cont.)

- 9. Hanging Knee
- 10. Hanging Knee
- 11. Lodging Knee
- 12. Lodging Knee
- 13. Lodging Knee
- 14. Beam Arm
- 15. Double Lodging Knee
- 16. Double Lodging Knee
- 17. Carling
- 18. Carling
- 19. Carling
- 20. Carling
- 21. Main Hatch Carling
- 22. Ledges





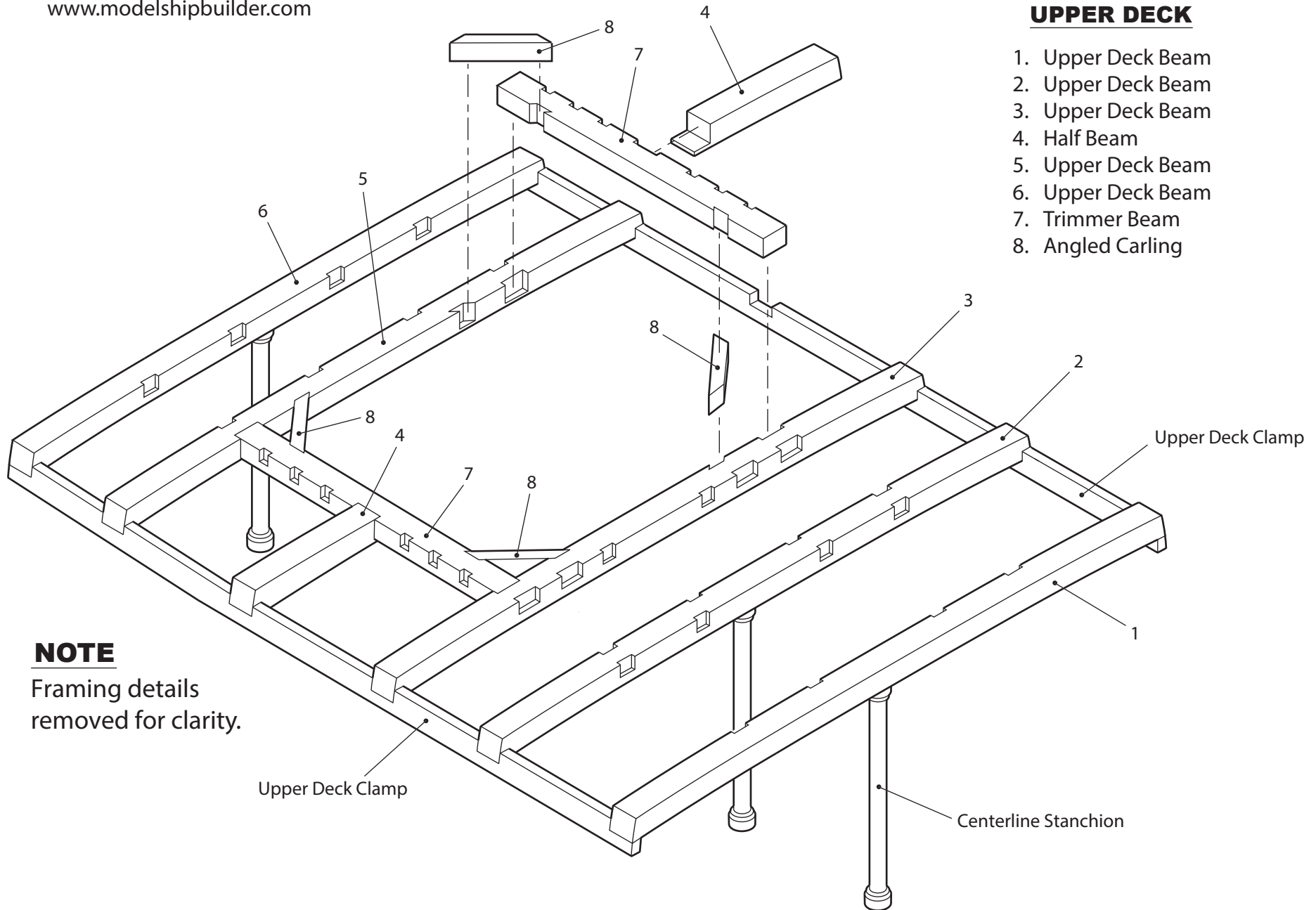
ModelShipBuilder

www.modelshipbuilder.com



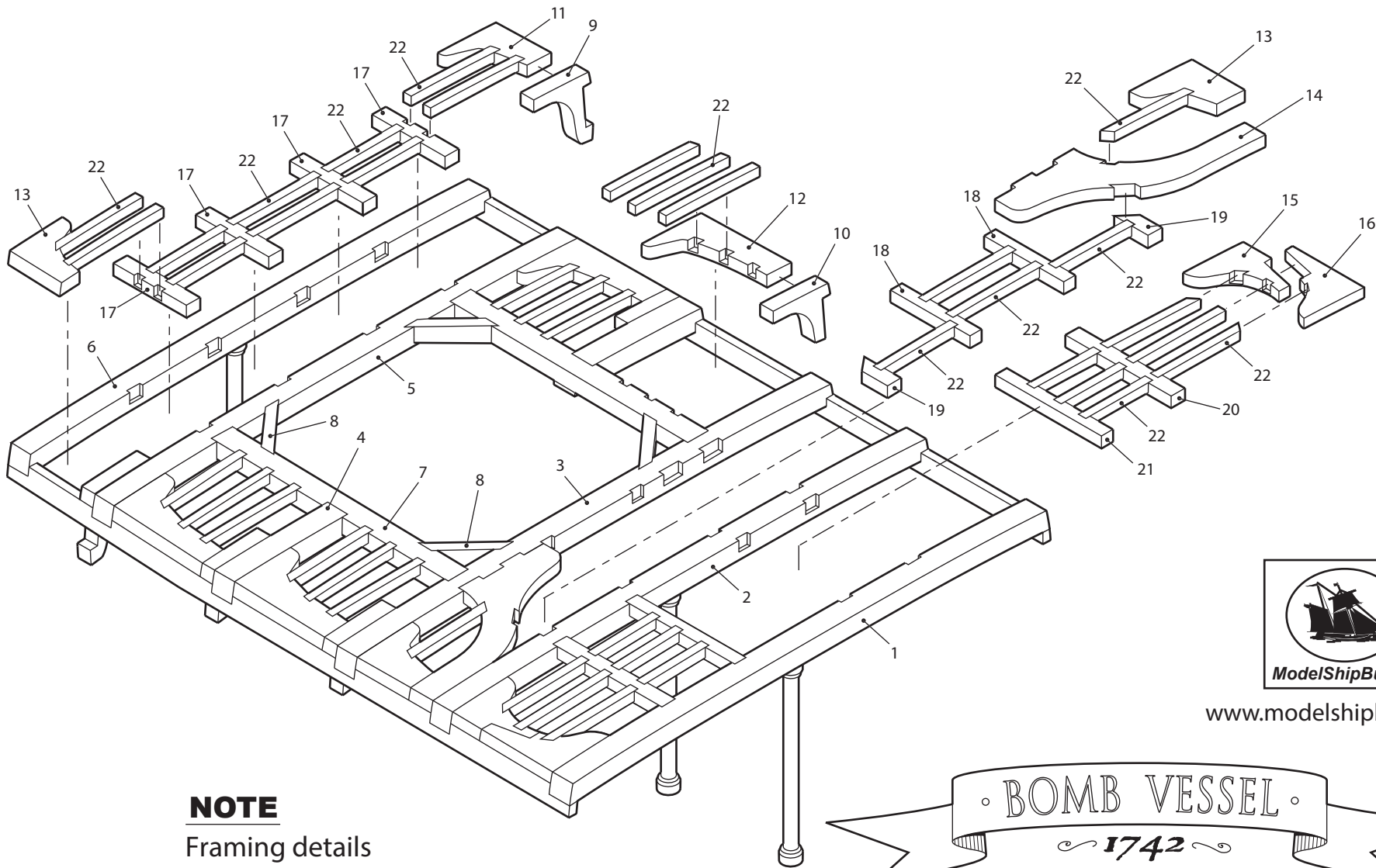
UPPER DECK

1. Upper Deck Beam
2. Upper Deck Beam
3. Upper Deck Beam
4. Half Beam
5. Upper Deck Beam
6. Upper Deck Beam
7. Trimmer Beam
8. Angled Carling



NOTE

Framing details removed for clarity.



NOTE

Framing details removed for clarity.



www.modelshipbuilder.com



UPPER DECK

- | | | |
|--------------------|-------------------------|------------------------|
| 1. Upper Deck Beam | 9. Hanging Knee | 17. Carling |
| 2. Upper Deck Beam | 10. Hanging Knee | 18. Carling |
| 3. Upper Deck Beam | 11. Lodging Knee | 19. Carling |
| 4. Half Beam | 12. Lodging Knee | 20. Carling |
| 5. Upper Deck Beam | 13. Lodging Knee | 21. Main Hatch Carling |
| 6. Upper Deck Beam | 14. Beam Arm | 22. Ledges |
| 7. Trimmer Beam | 15. Double Lodging Knee | |
| 8. Angled Carling | 16. Double Lodging Knee | |



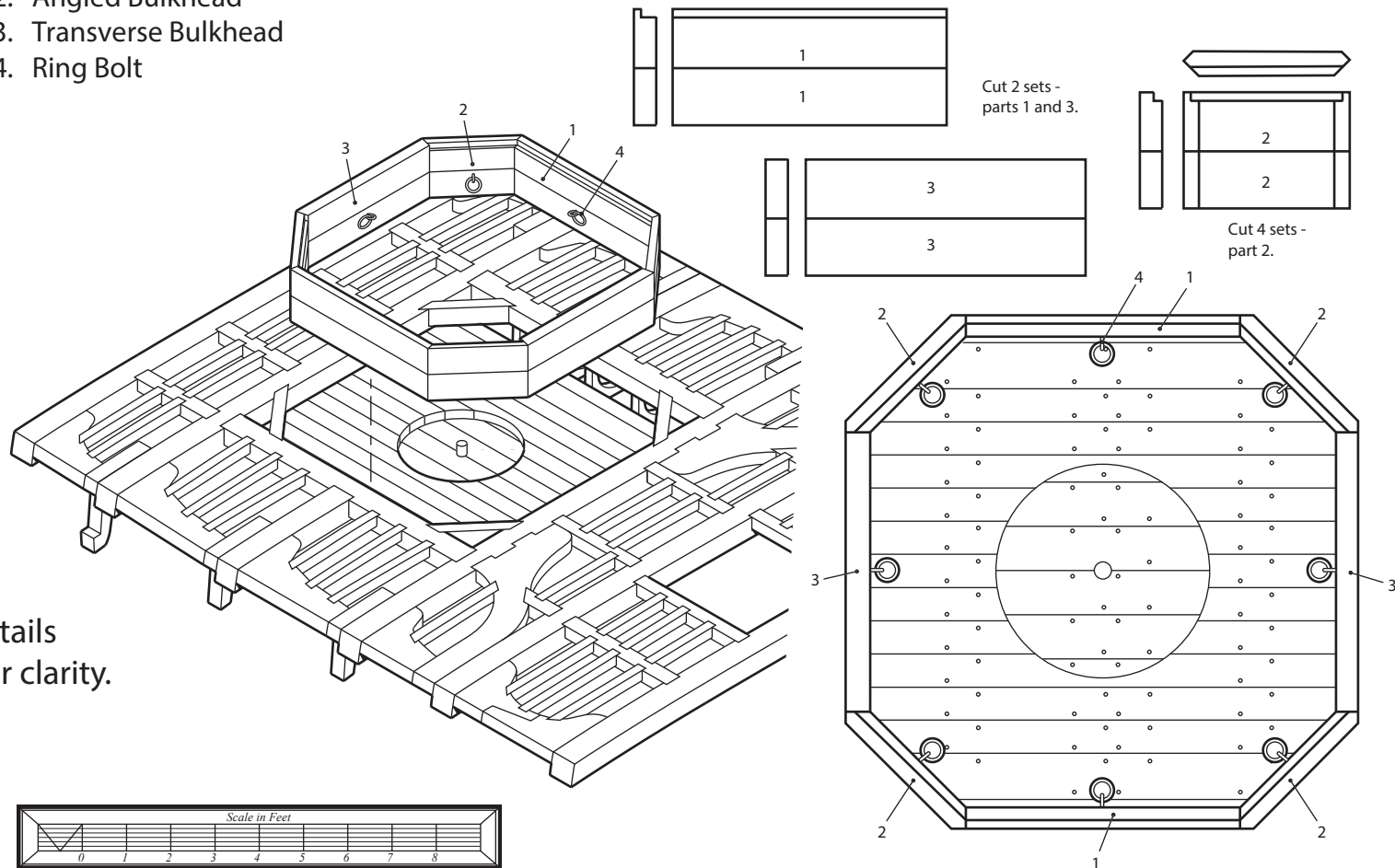
BOMB VESSEL

1742

www.modelshipbuilder.com

MORTAR PIT

1. Outboard Bulkhead
2. Angled Bulkhead
3. Transverse Bulkhead
4. Ring Bolt



NOTE

Framing details removed for clarity.



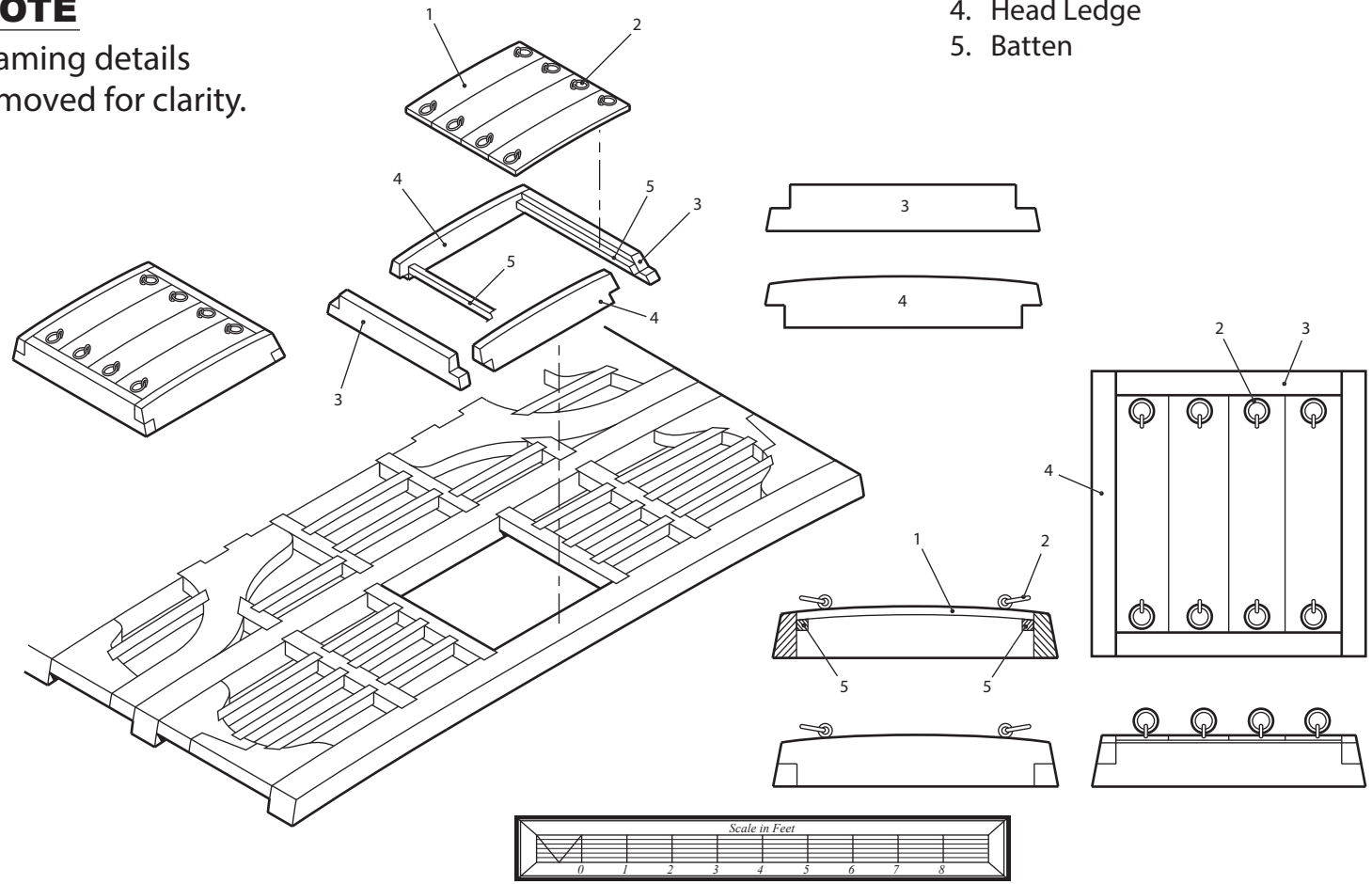
www.modelshipbuilder.com

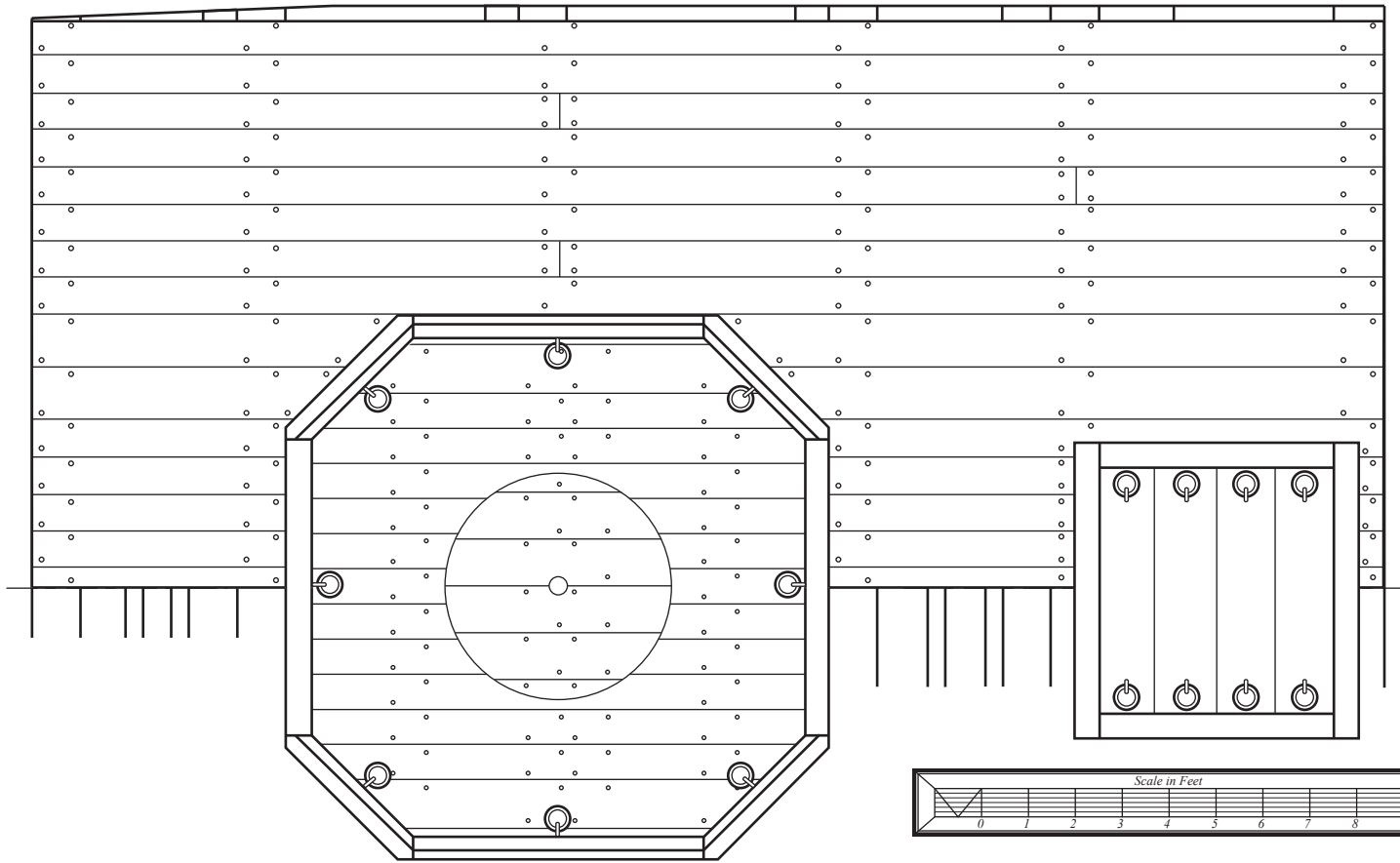


MAIN HATCHWAY

- 1. Hatch Cover Boards
- 2. Lifting Rings
- 3. Coaming
- 4. Head Ledge
- 5. Batten

NOTE
Framing details removed for clarity.



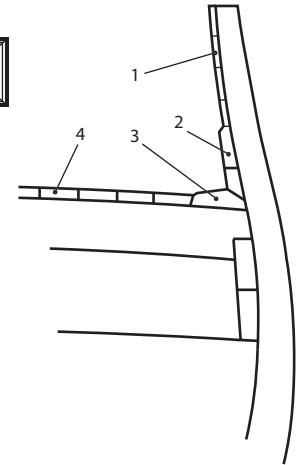
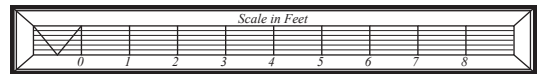
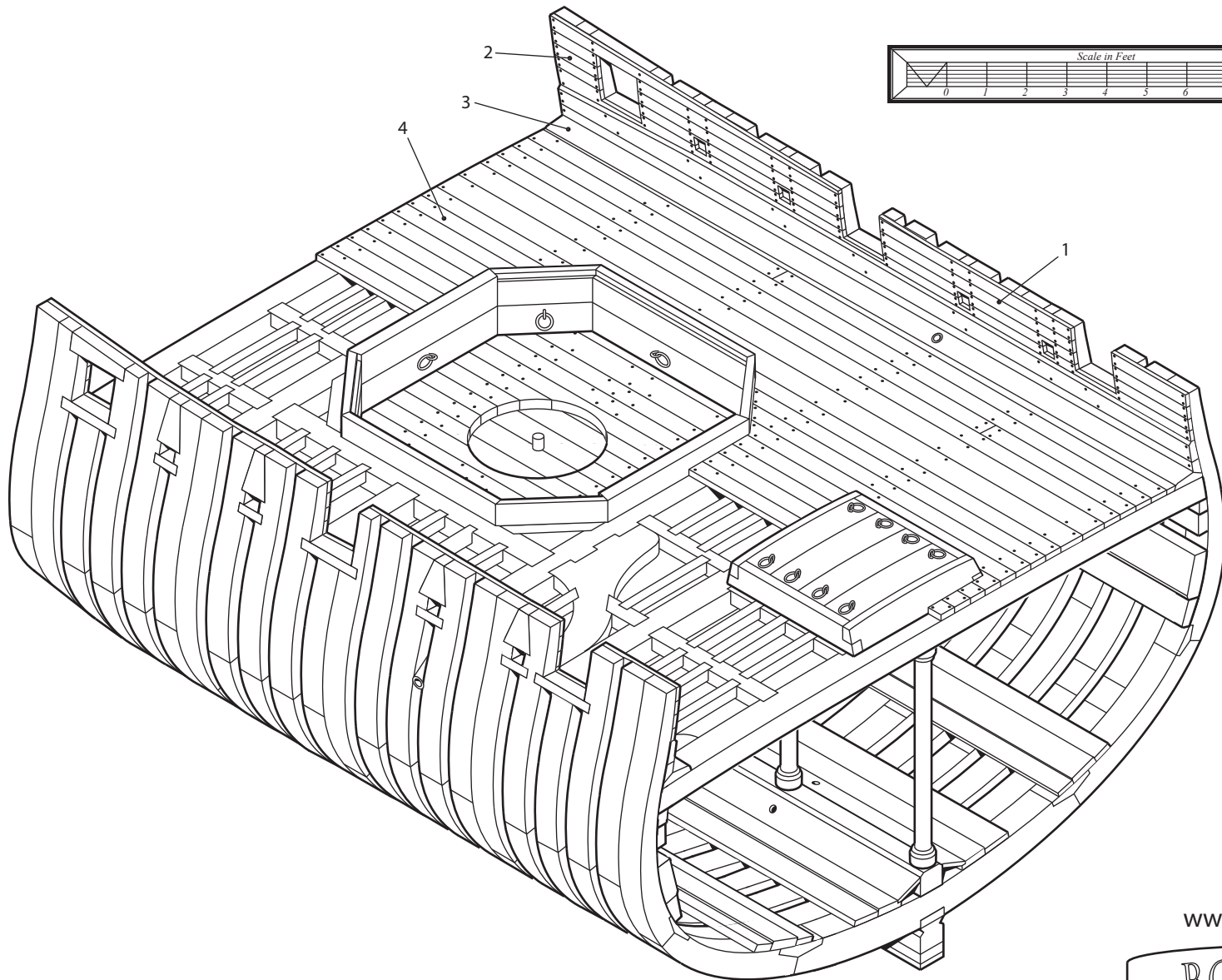


www.modelshipbuilder.com

◦ BOMB VESSEL ◦

1742

DECK PLANKING - PORT SIDE ONLY

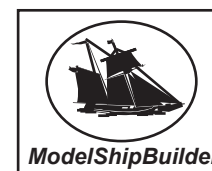
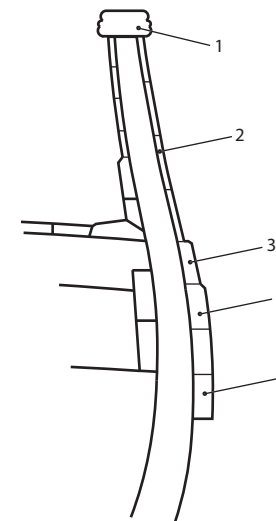
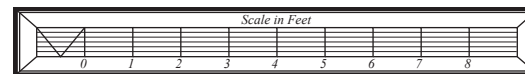
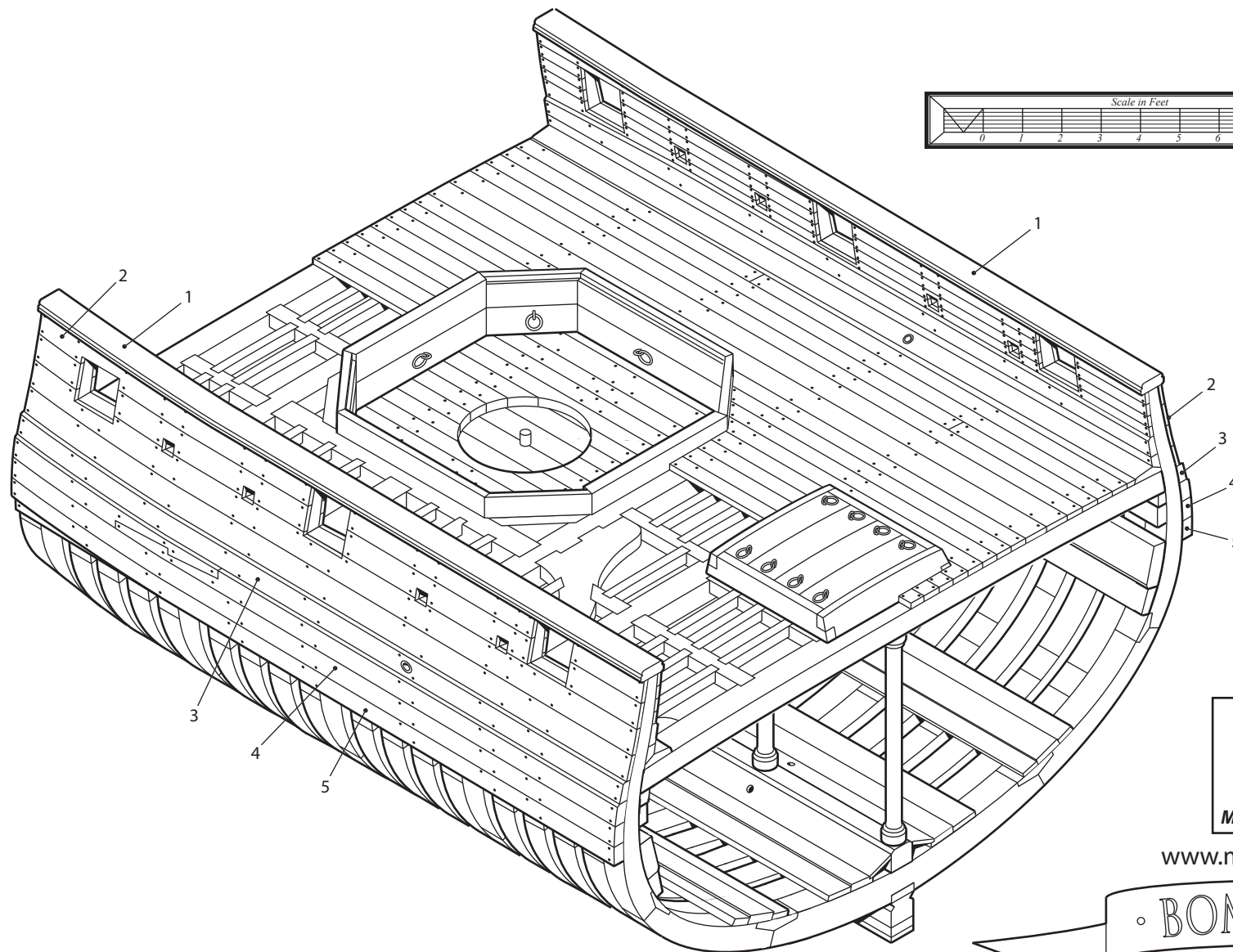


www.modelshipbuilder.com

• BOMB VESSEL •
1742

INTERNAL HULL PLANKING

- 1. Lining
- 2. Spirketing
- 3. Waterway
- 4. Deck Planking



www.modelshipbuilder.com

• BOMB VESSEL •

1742

EXTERNAL HULL PLANKING

1. Sheer Rail
2. Side Planking
3. Upper Main Wale
4. Filling Wale
5. Lower Main Wale

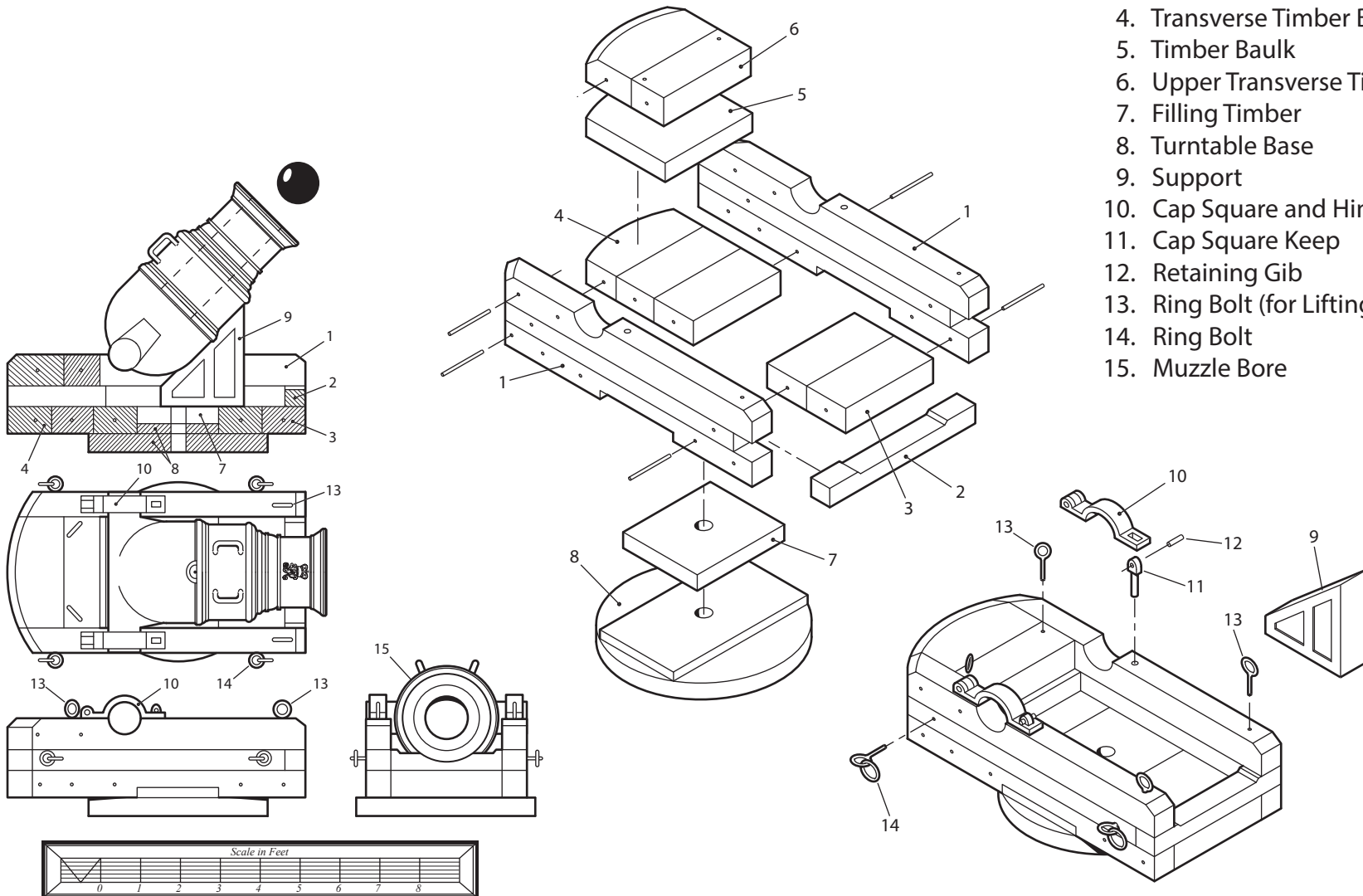


www.modelshipbuilder.com



13 IN MORTAR & BED

1. Side Cheek
2. Transverse Transom
3. Fore Transverse Timber Baulks
4. Transverse Timber Baulks
5. Timber Baulk
6. Upper Transverse Timber Baulks
7. Filling Timber
8. Turntable Base
9. Support
10. Cap Square and Hinge
11. Cap Square Keep
12. Retaining Gib
13. Ring Bolt (for Lifting)
14. Ring Bolt
15. Muzzle Bore



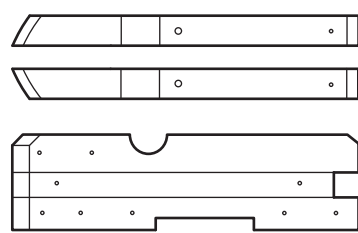


www.modelshipbuilder.com

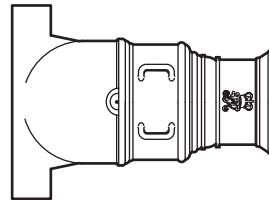
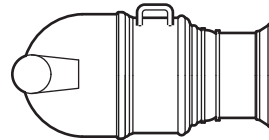
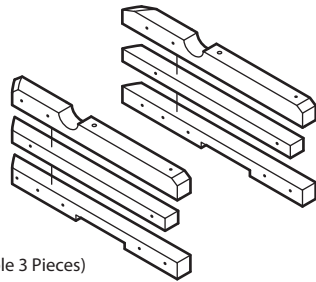


13 IN MORTAR & BED - PARTS TEMPLATE

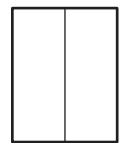
1. Side Cheek
2. Transverse Transom
3. Fore Transverse Timber Baulks
4. Transverse Timber Baulks
5. Timber Baulk
6. Upper Transverse Timber Baulks
7. Filling Timber
8. Turntable Base
9. Support



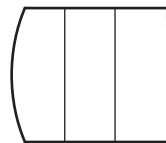
1 (Assemble 3 Pieces)



2



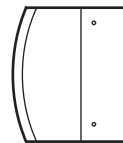
3



4



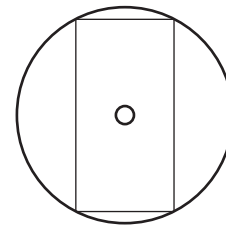
5



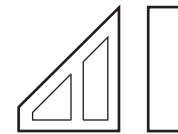
6



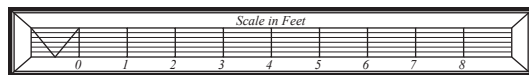
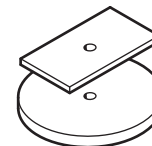
7

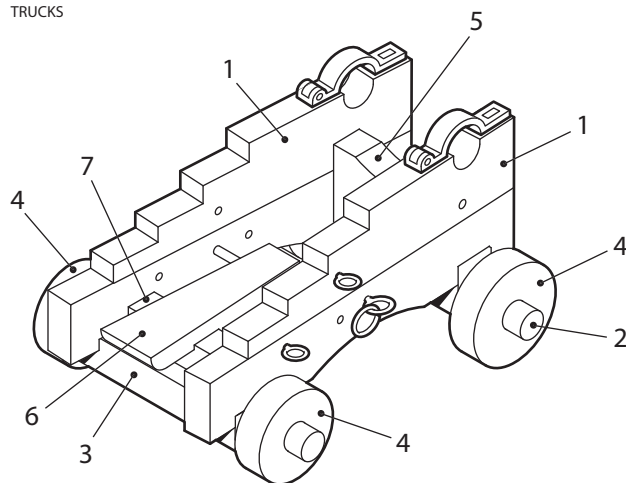
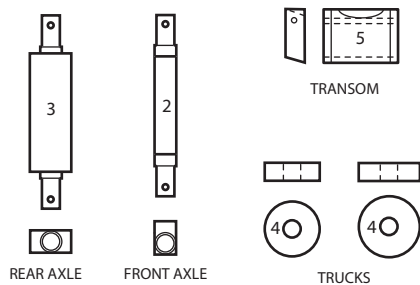
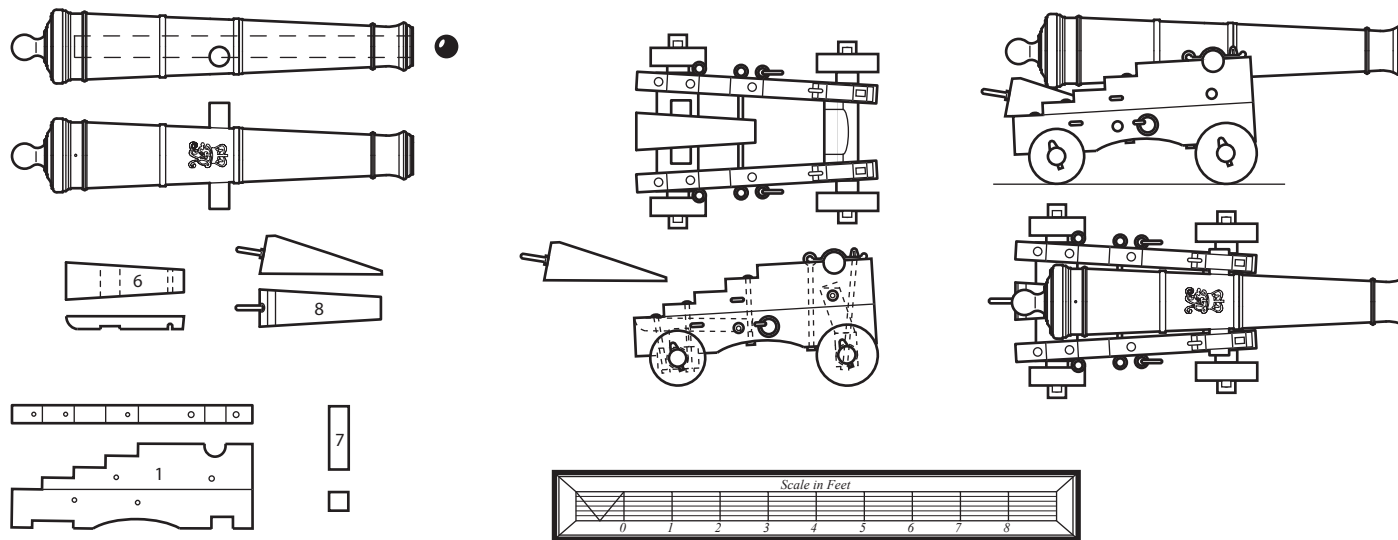


8
(Assemble 2 Pieces)



9





ModelShipBuilder

www.modelshipbuilder.com

◦ BOMB VESSEL ◦

~ 1742 ~

12 POUNDER GUN

1. Bracket
2. Front Axle
3. Rear Axle
4. Trucks
5. Transom
6. Stool Bed
7. Bolster
8. Quoin

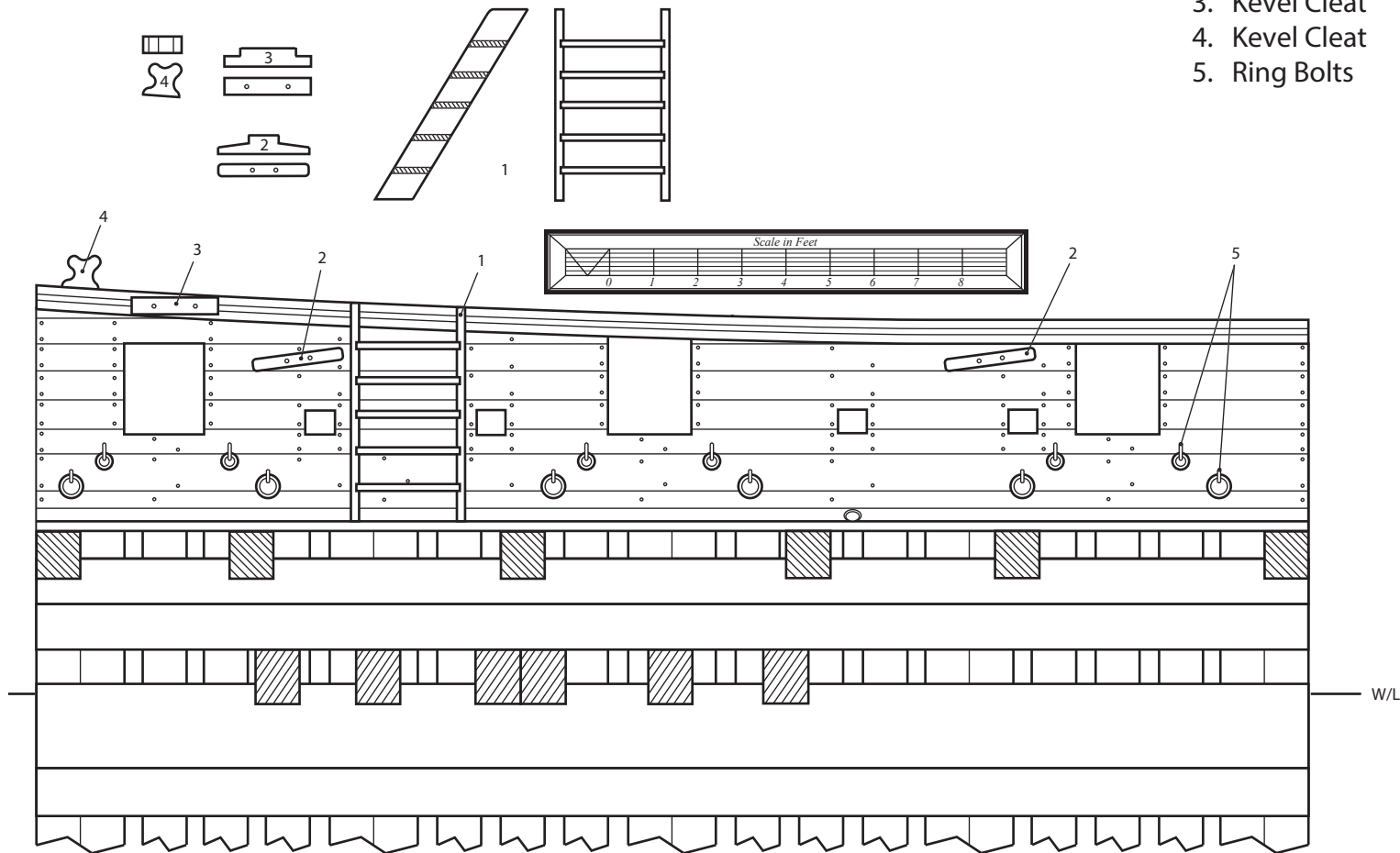


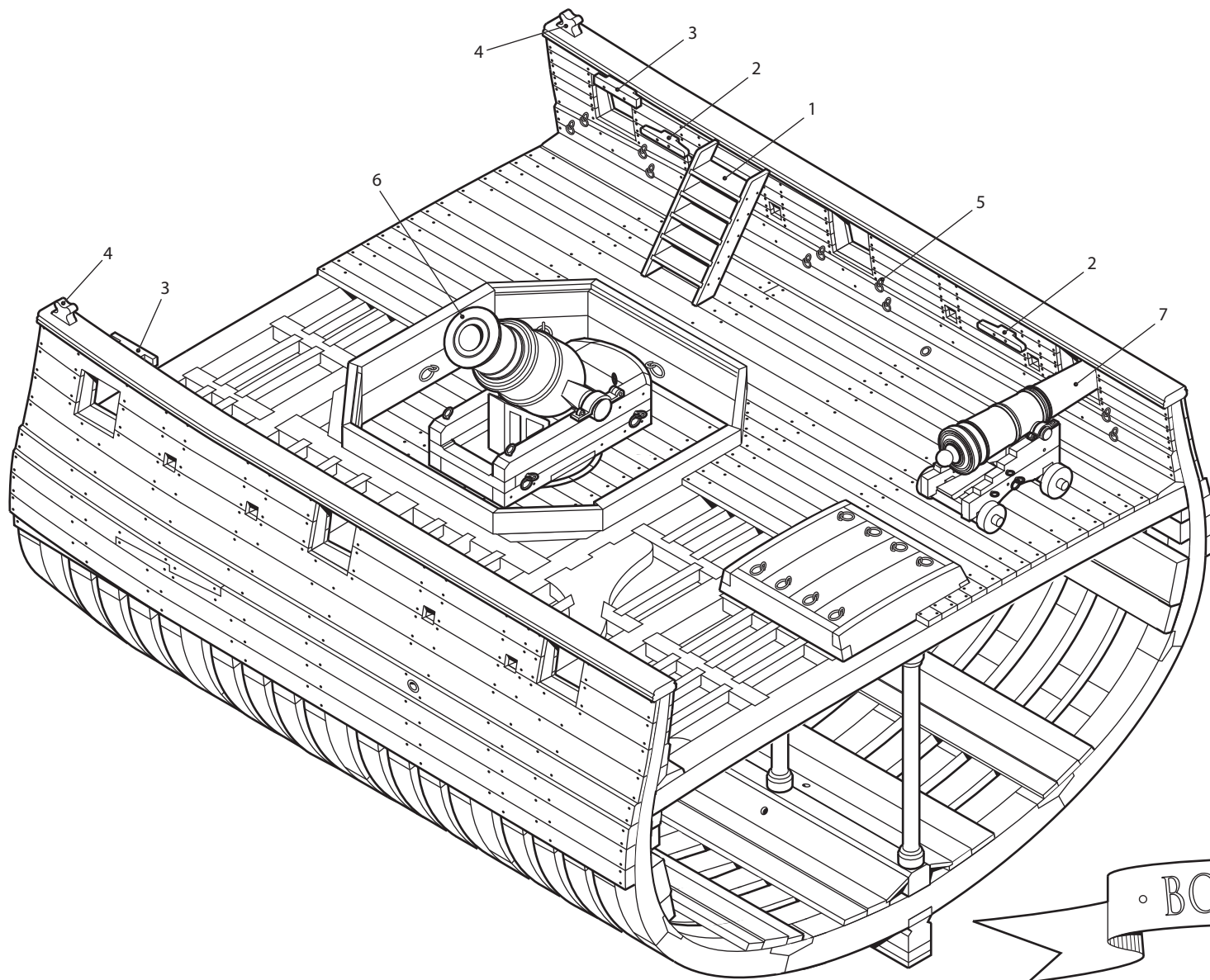
www.modelshipbuilder.com



DECK ARRANGEMENT

1. Entry Port Ladder
2. Cleat
3. Kevel Cleat
4. Kevel Cleat
5. Ring Bolts





ModelShipBuilder

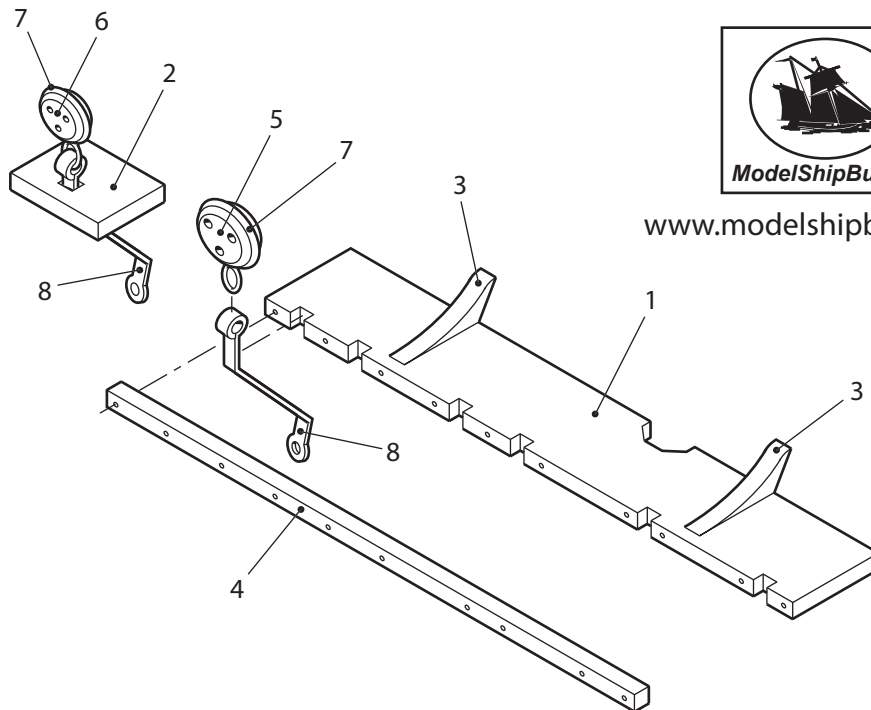
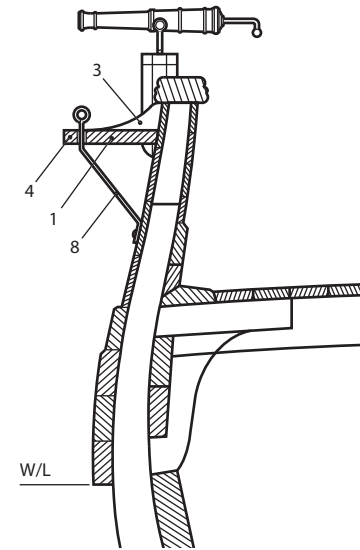
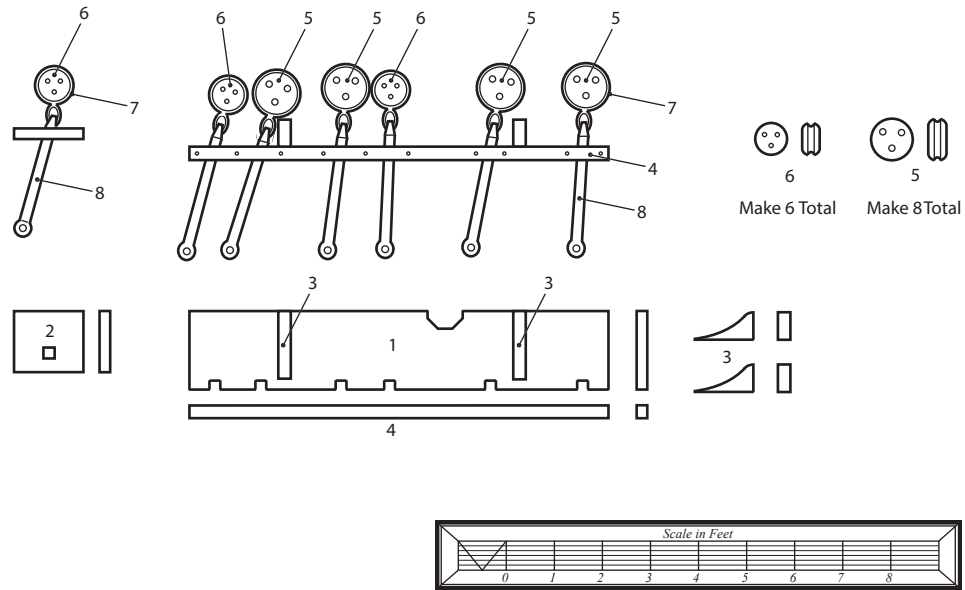
www.modelshipbuilder.com

• BOMB VESSEL •

~ 1742 ~

DECK ARRANGEMENT

1. Entry Port Ladder
2. Cleat
3. Kevel Cleat
4. Kevel Cleat
5. Ring Bolts
6. Mortar (In Firing Position)
7. 12 Pounder Gun



www.modelshipbuilder.com



CHANNELS & DEADEYES

1. Channel Board
2. Backstay Stool
3. Channel Knee
4. Retaining Paunch
5. Deadeye
6. Deadeye
7. Iron Chain Strop
8. Chain Plate

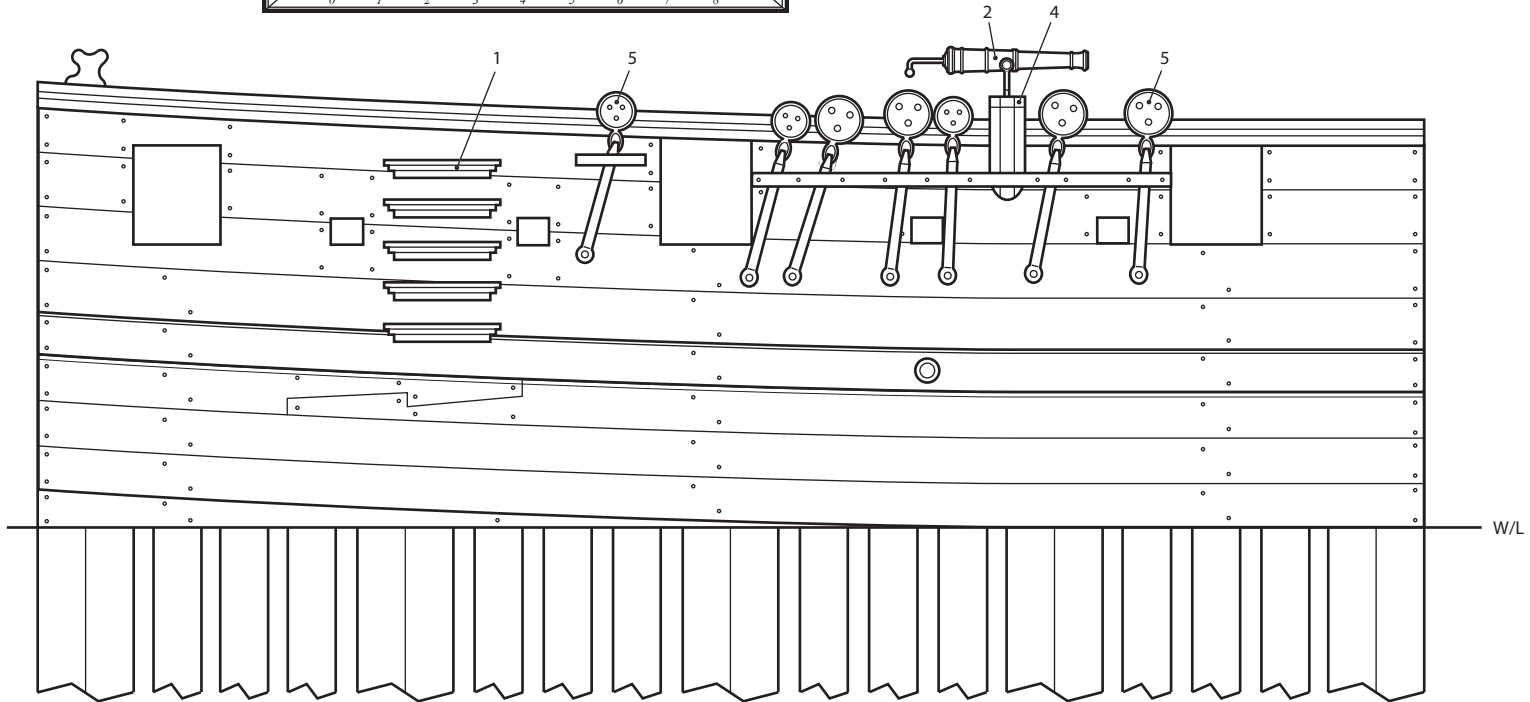
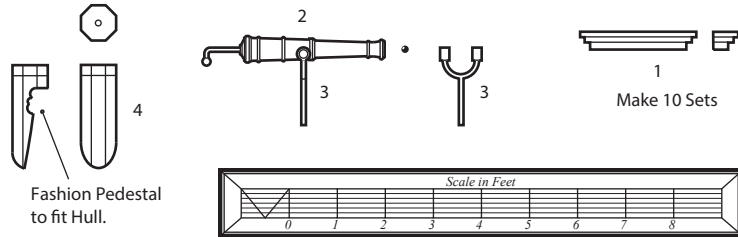


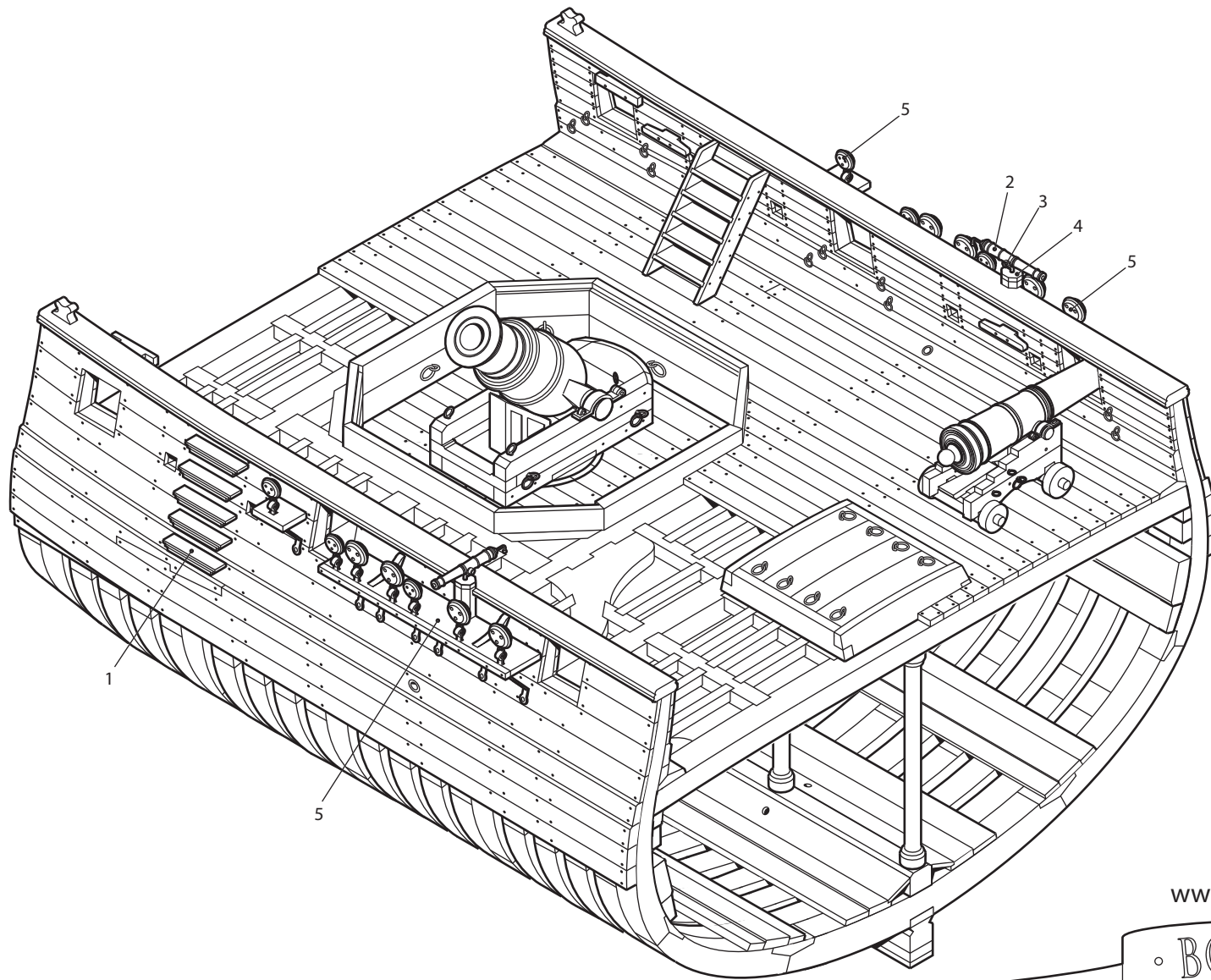
www.modelshipbuilder.com



HULL ACCESSORIES

1. Entry Port Ladder
2. Swivel Gun
3. Mounting Yoke
4. Swivel Gun Pedestal
5. Channels & Deadeyes





www.modelshipbuilder.com

◦ BOMB VESSEL ◦
 ~~~~~ 1742 ~~~~~

**DECK ARRANGEMENT**

1. Entry Port Ladder
2. Swivel Gun
3. Mounting Yoke
4. Swivel Gun Pedestal
5. Channels & Deadeyes

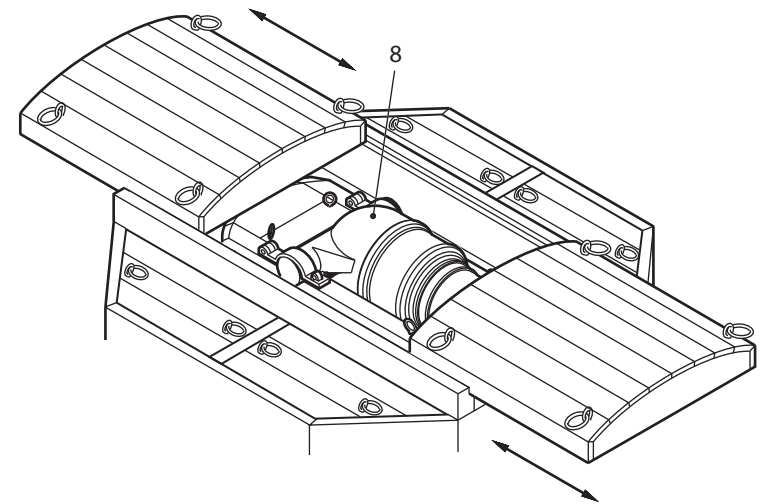
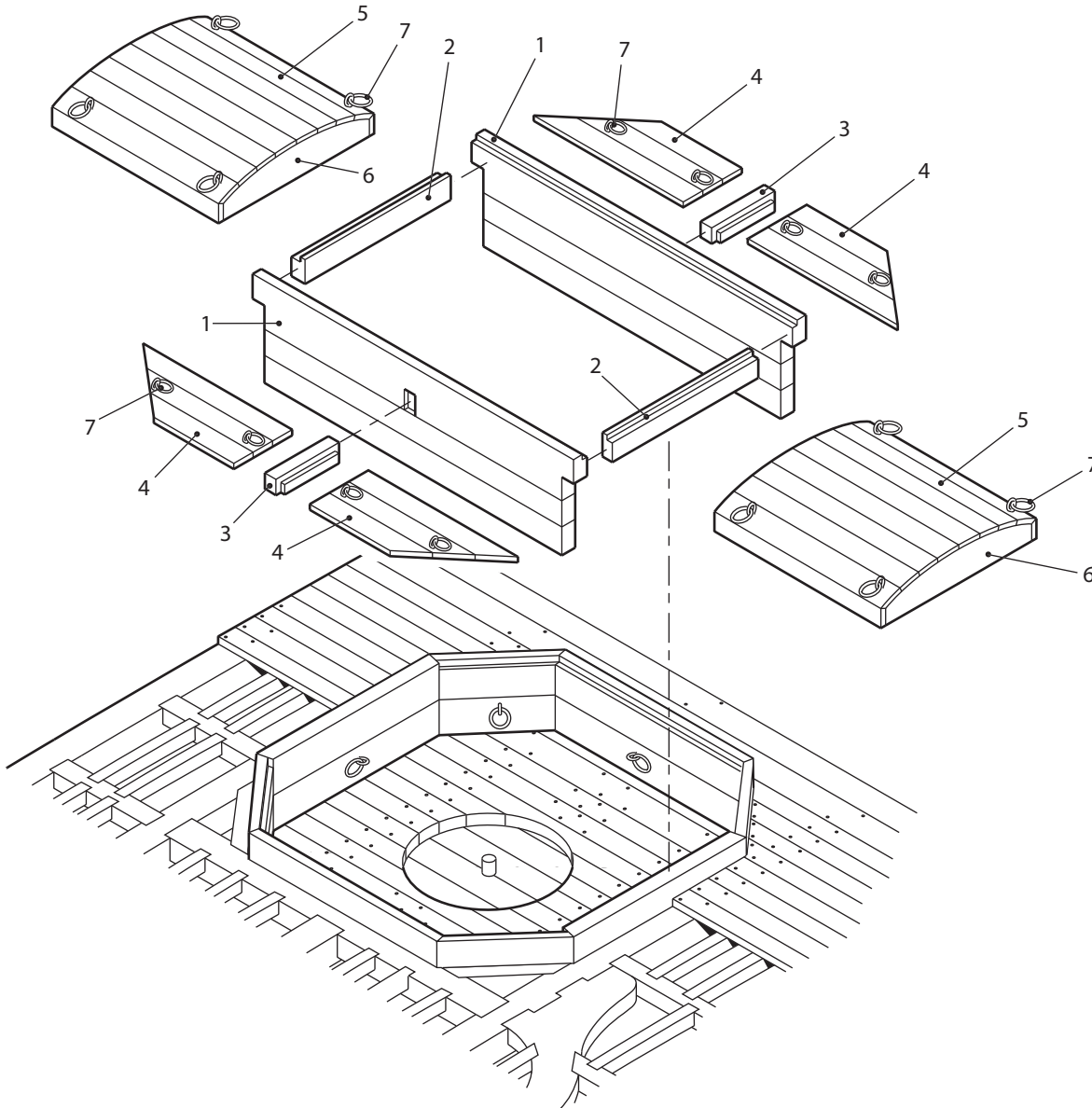


www.modelshipbuilder.com



### MORTAR PIT HOUSING (OPTIONAL)

1. Transverse Bulkhead (Removable)
2. Bulkhead (Removable)
3. Strongback (Removable)
4. Side Cover
5. Canopy
6. Canopy Transom
7. Lifting Ring
8. Mortar



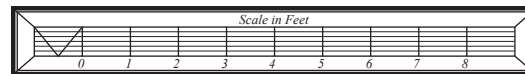
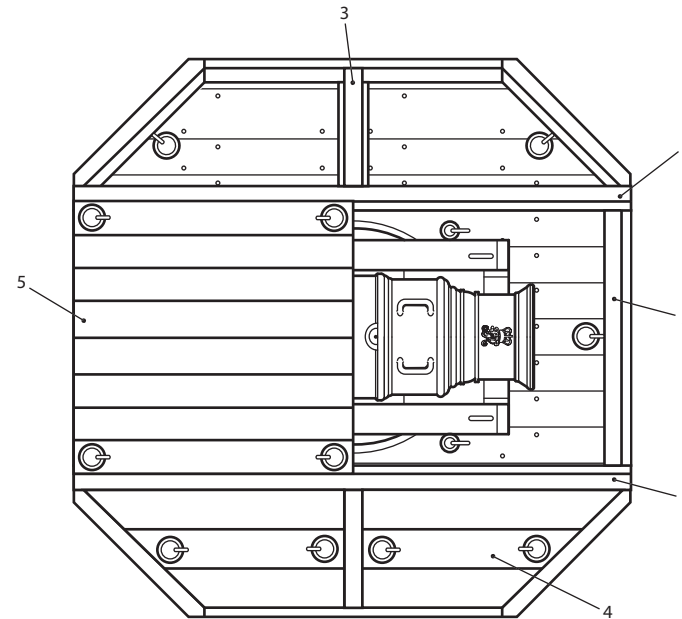
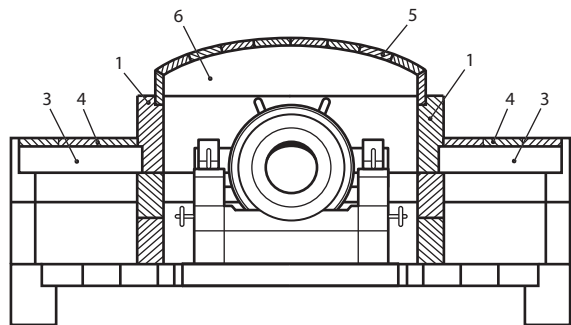
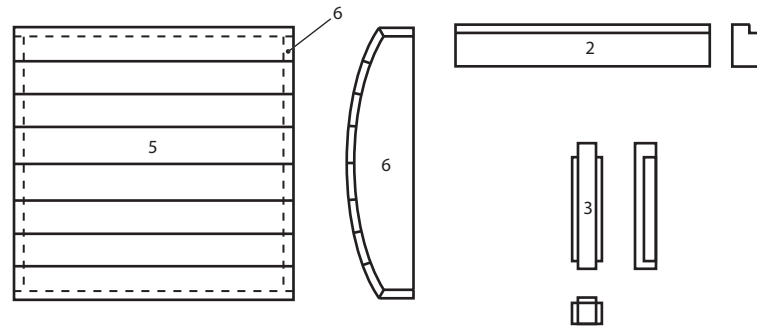
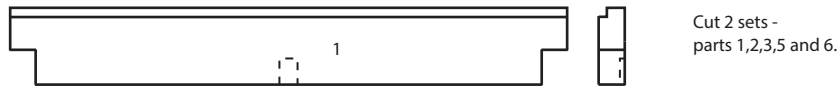
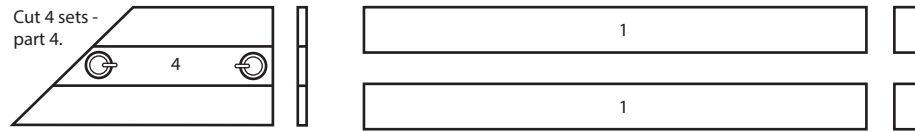


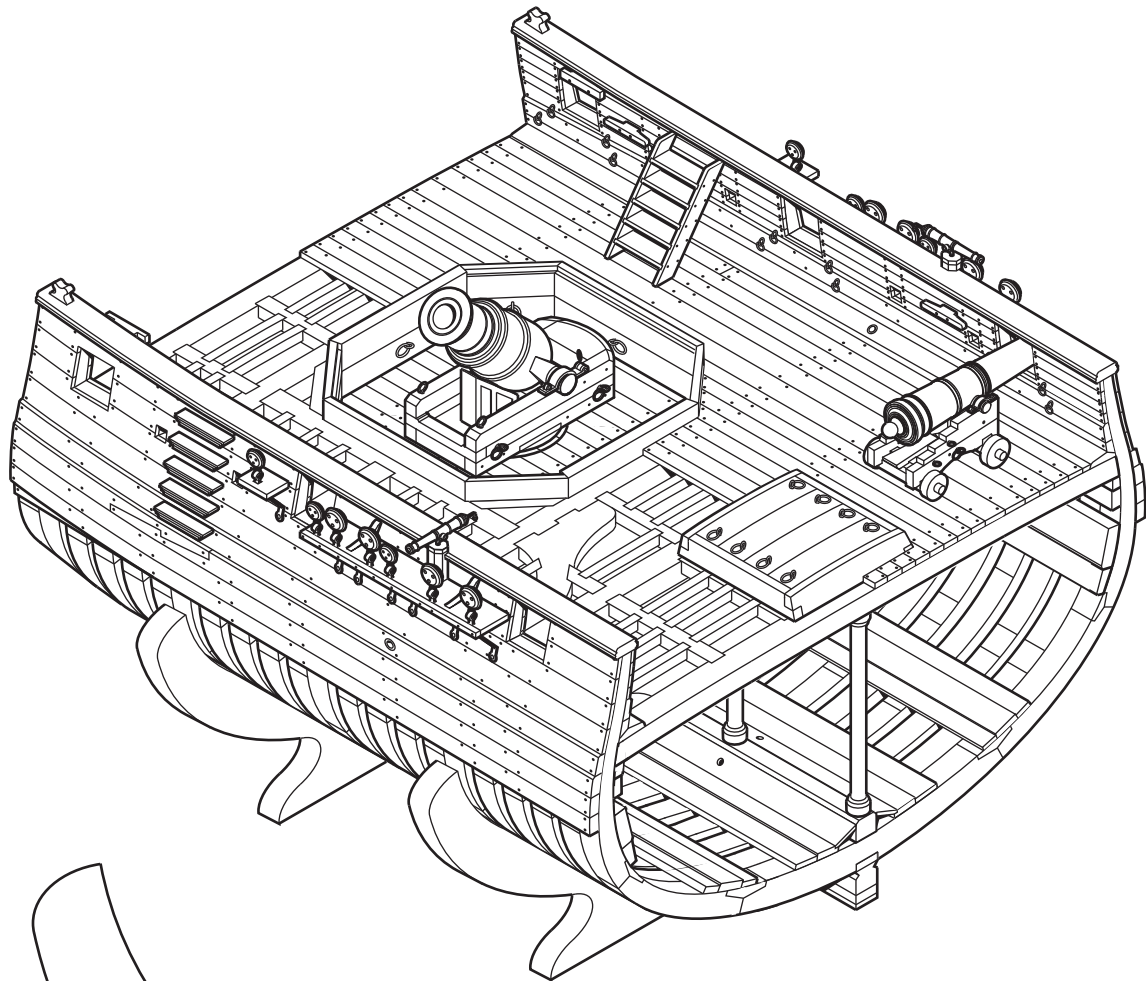
www.modelshipbuilder.com



### MORTAR PIT HOUSING (OPTIONAL)

1. Transverse Bulkhead (Removable)
2. Bulkhead (Removable)
3. Strongback (Removable)
4. Side Cover
5. Canopy
6. Canopy Transom

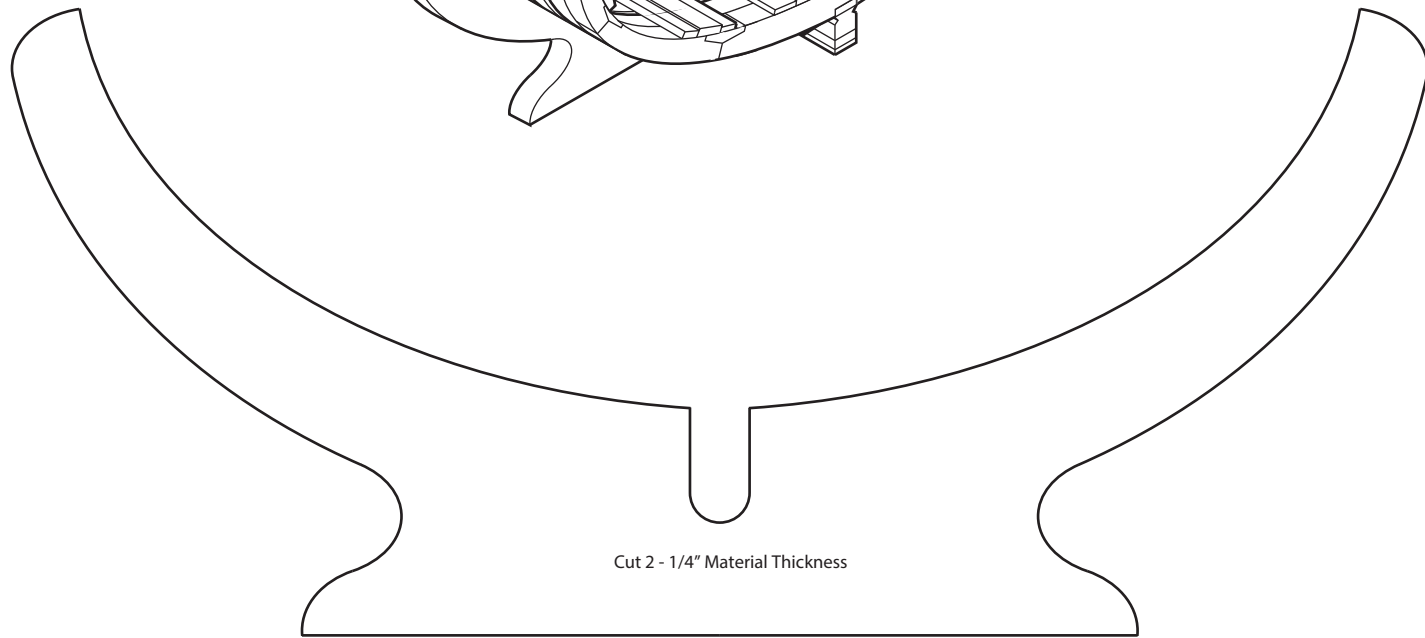




www.modelshipbuilder.com

• BOMB VESSEL •  
1742

**CRADLE**



Cut 2 - 1/4" Material Thickness