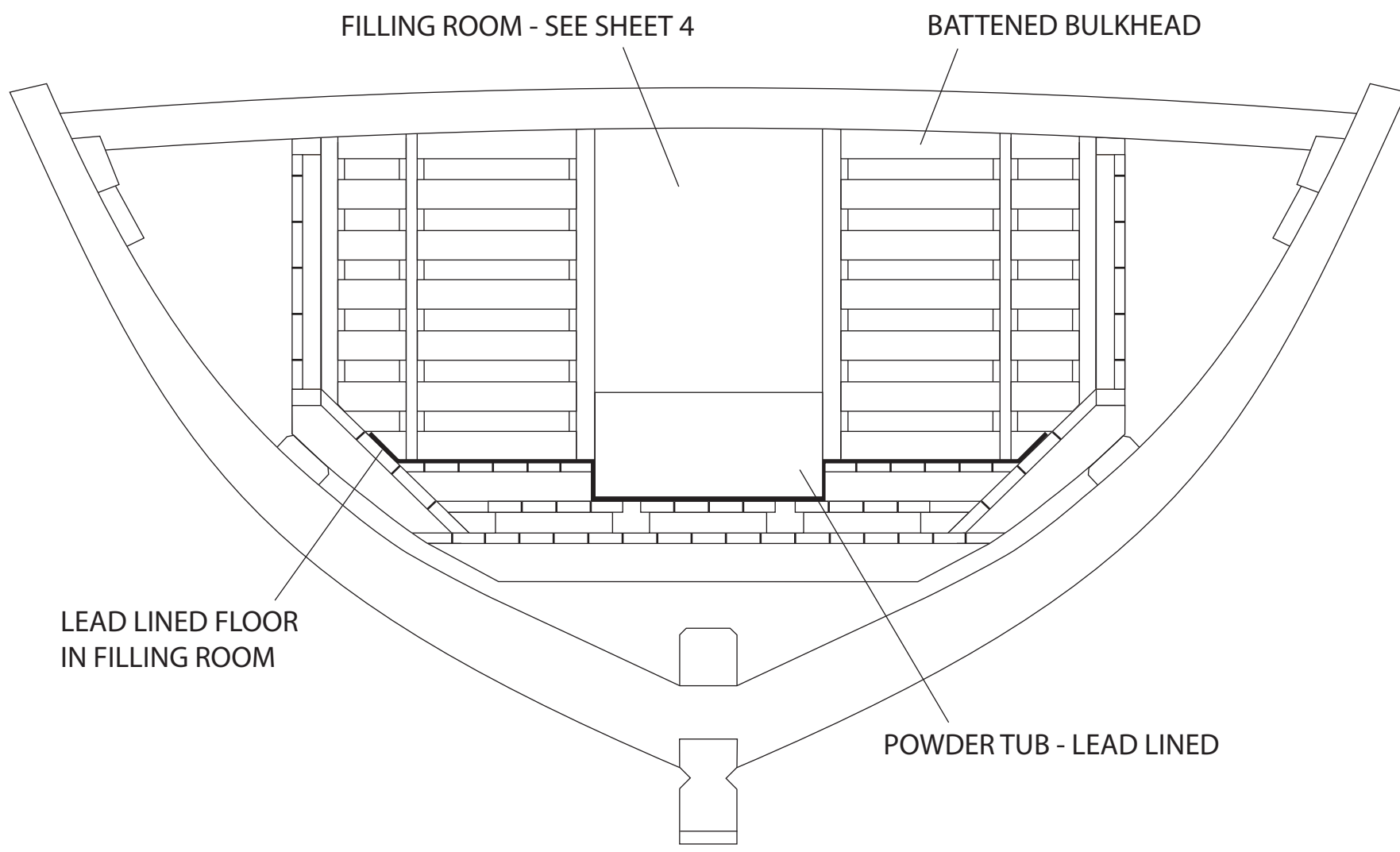
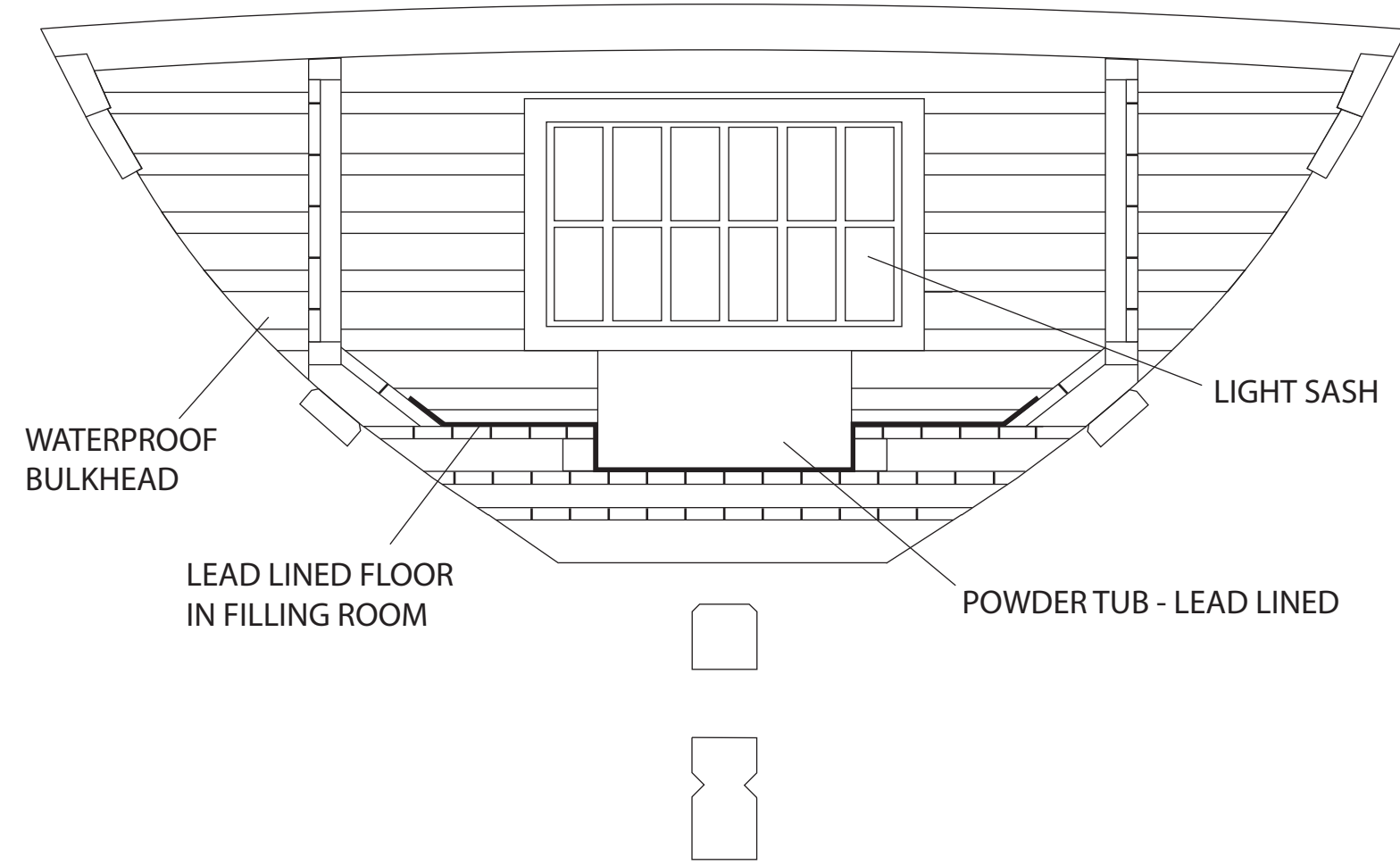


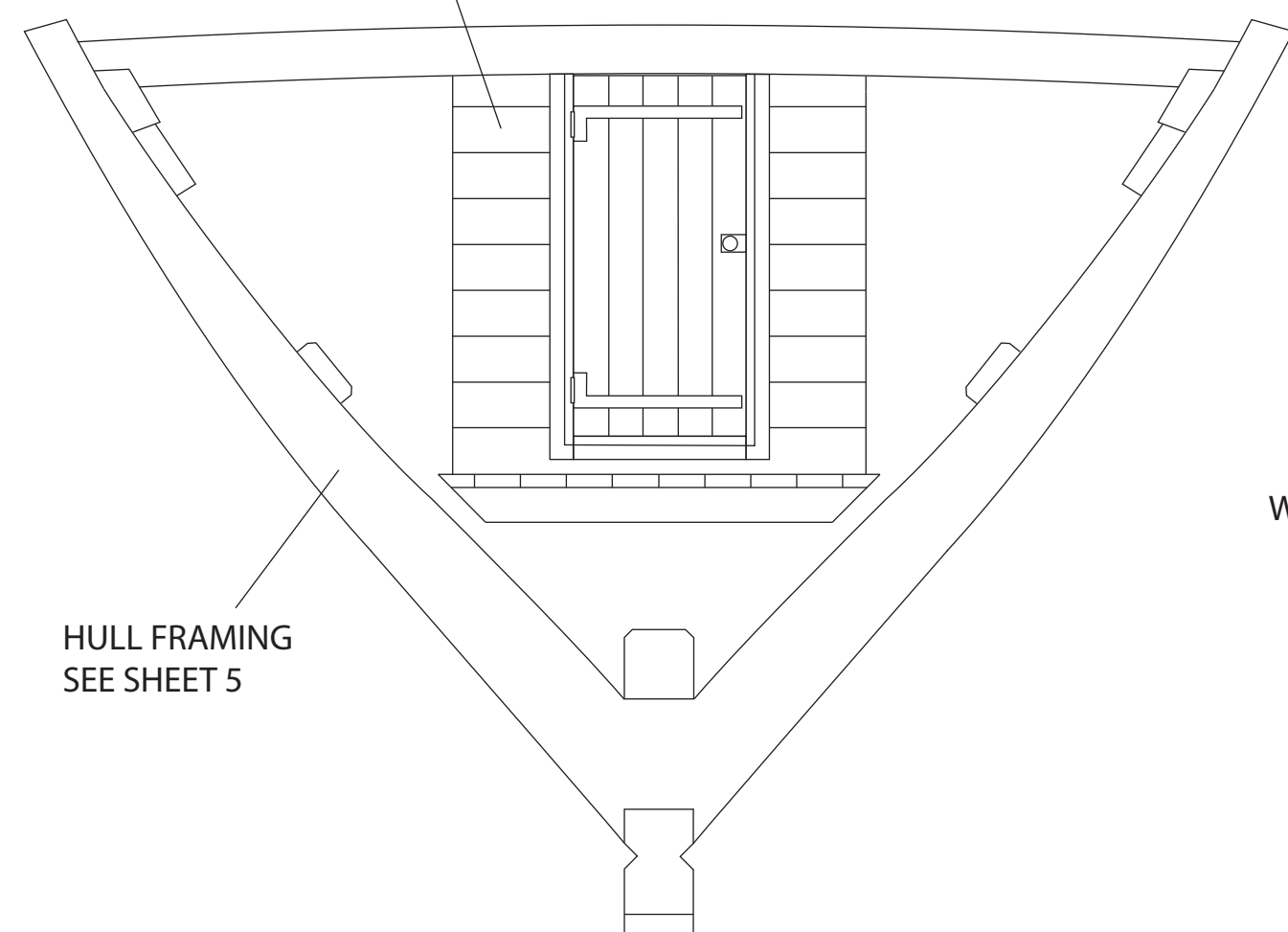
**DETAIL C - LOOKING AFT INTO FILLING ROOM**



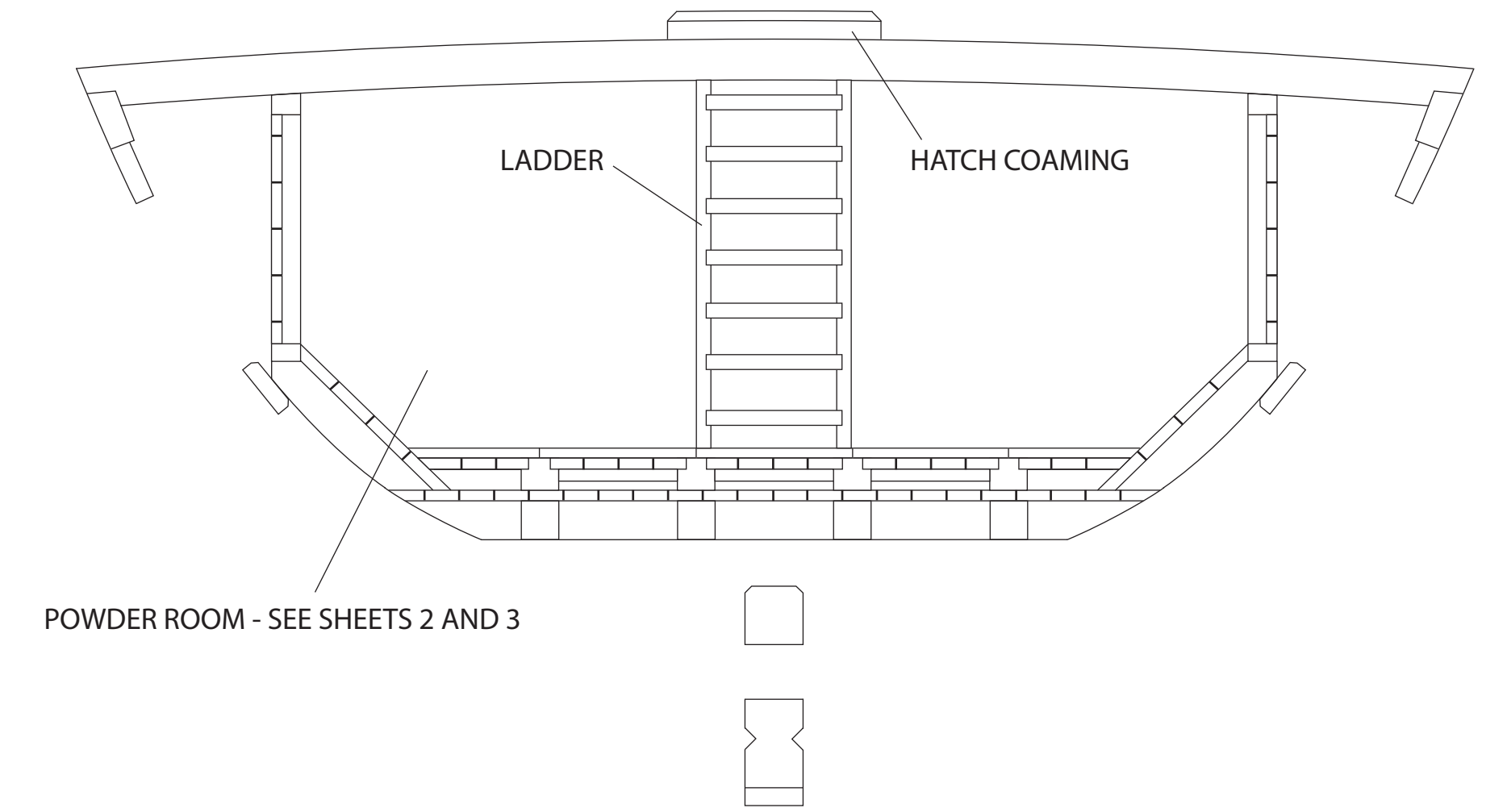
**DETAIL D - LOOKING AFT AT LIGHT ROOM BULKHEAD**



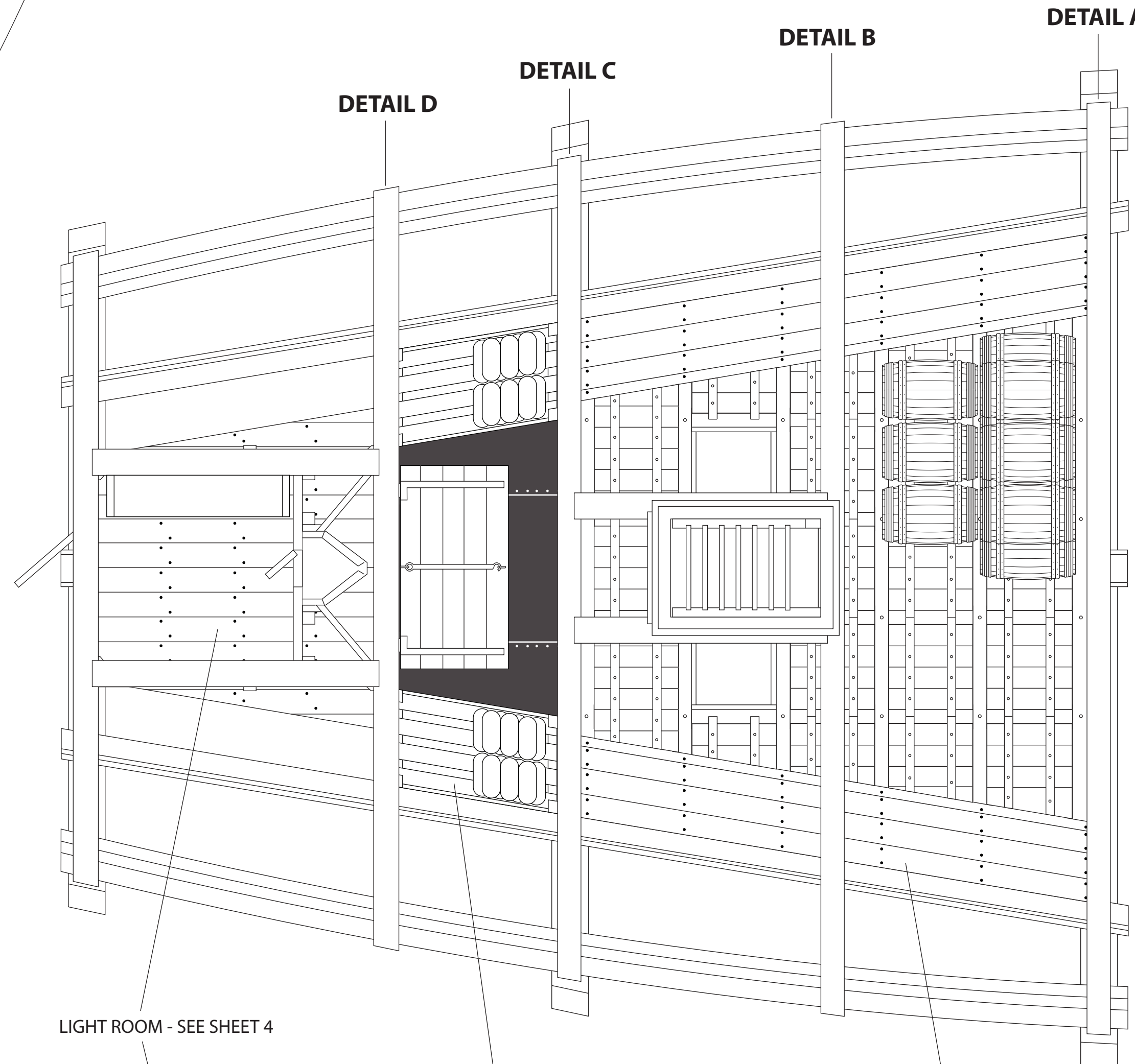
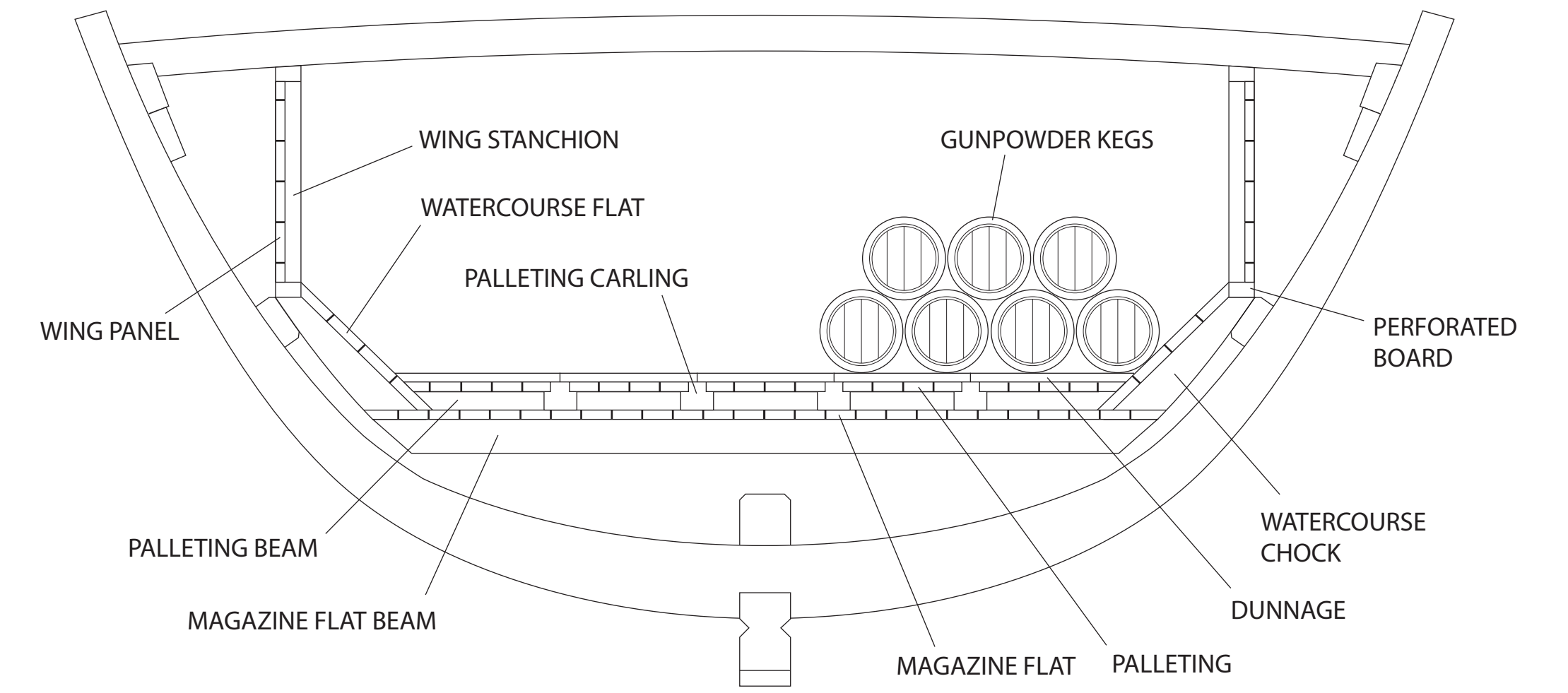
**LIGHT ROOM - SEE SHEET 4**



**DETAIL B - LOOKING AFT**



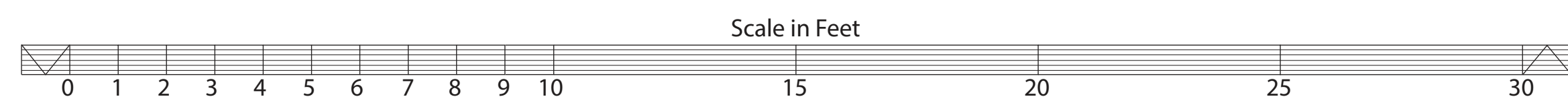
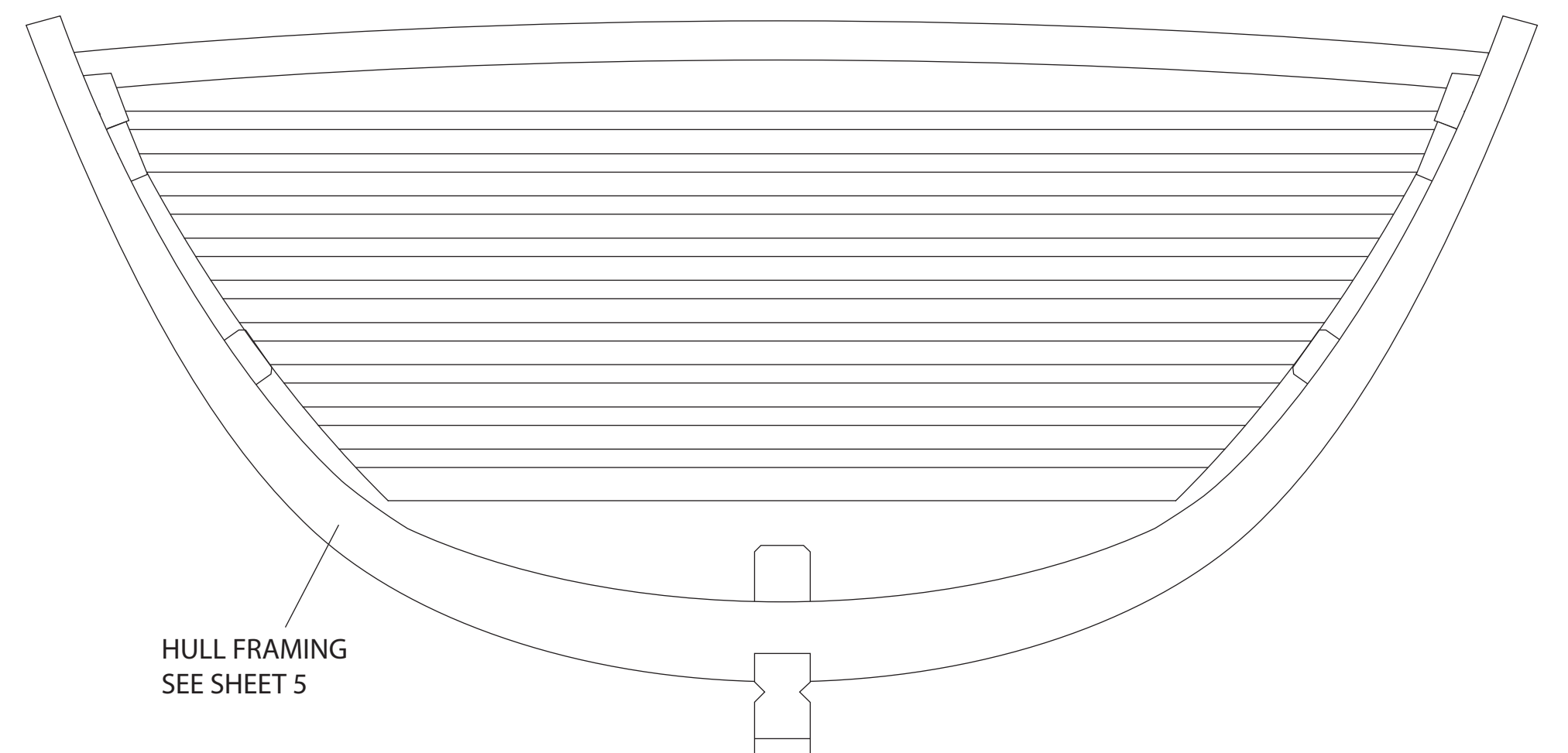
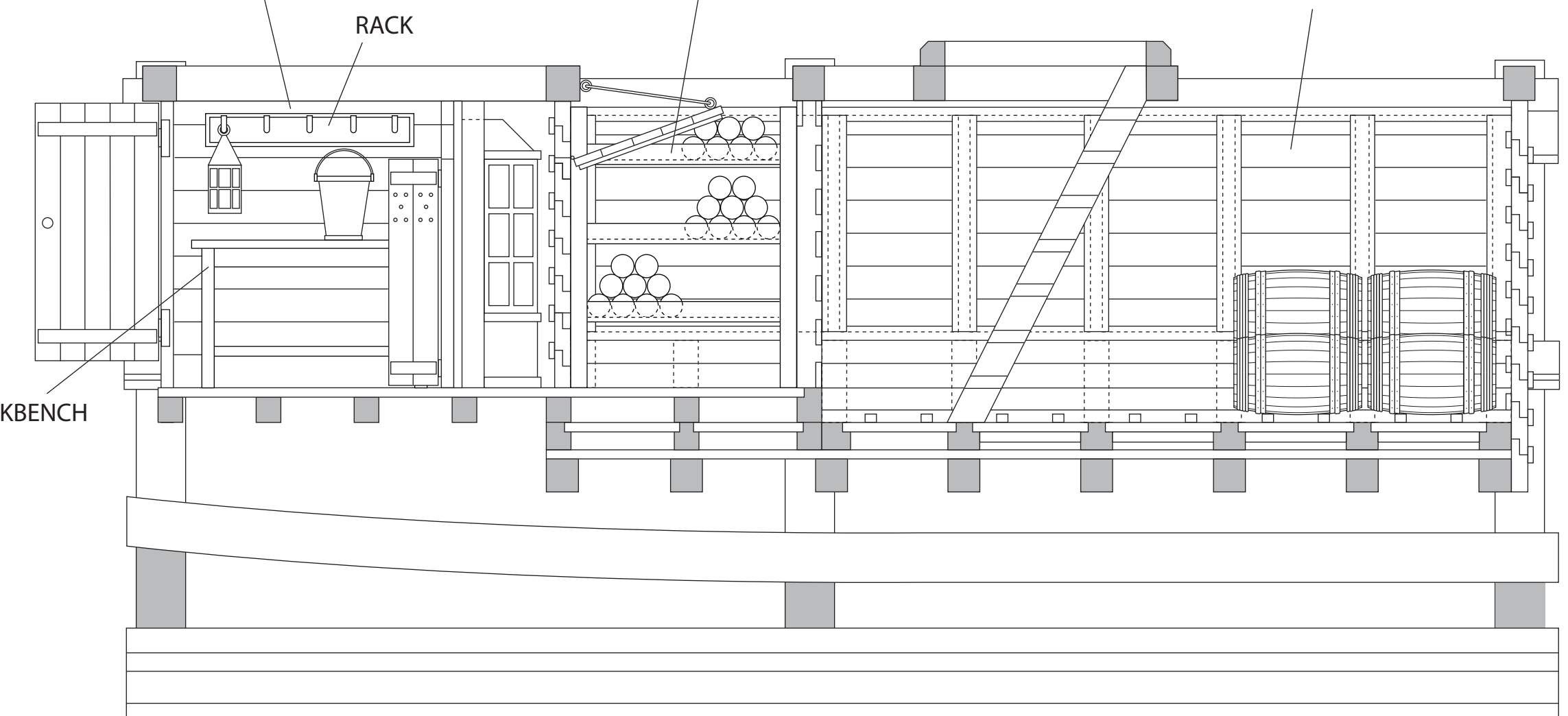
**DETAIL A - LOOKING AFT INTO POWDER ROOM**



**LIGHT ROOM - SEE SHEET 4**

**FILLING ROOM - SEE SHEET 4**

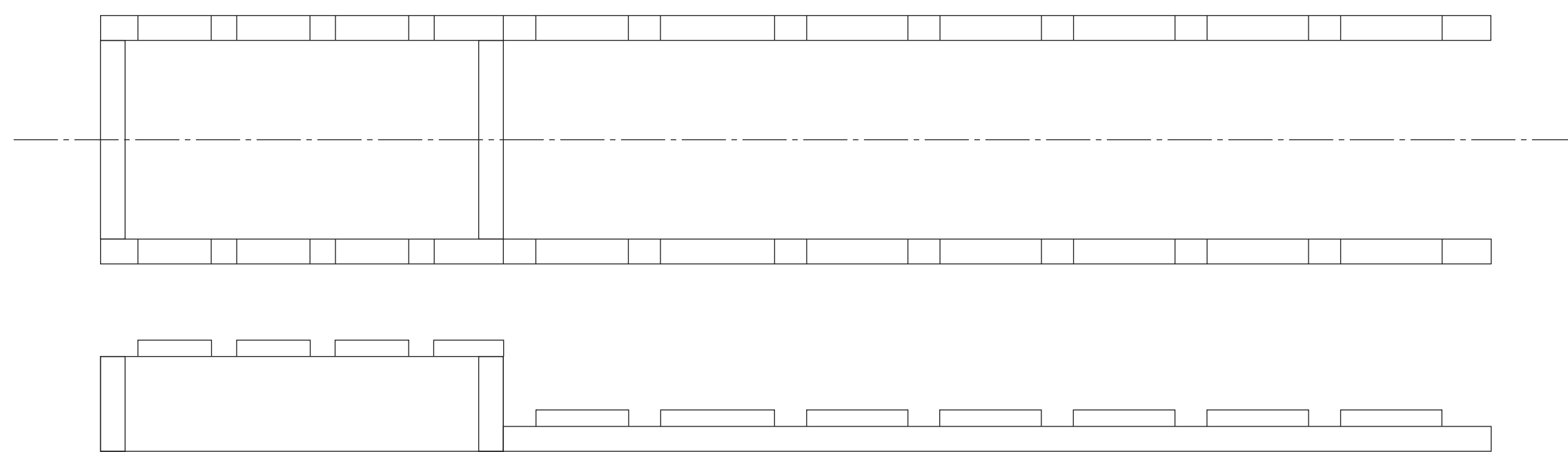
**POWDER ROOM - SEE SHEETS 2 AND 3**



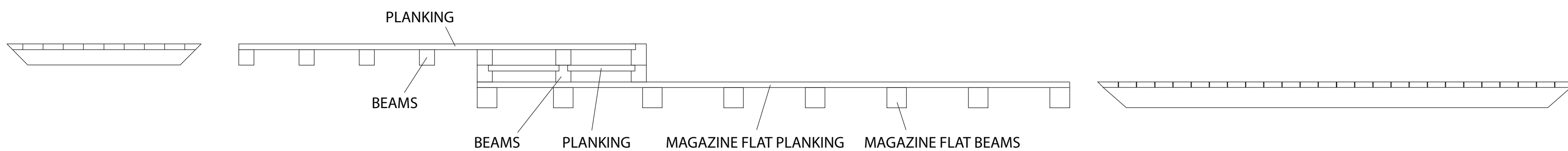
**NOTE**  
 For pictures and assembly procedures see the build log under: **General Build Logs Aft Magazine Section Model - 1:32 Scale** at modelshipbuilder.com

	<b>AFT Magazine Section</b>	
	General Arrangement	
DRAWN BY	SCALE	SHEET 1 of 6
JEFF STAUDT	1:32	
© Copyright 2013 modelshipbuilder.com All rights reserved.		

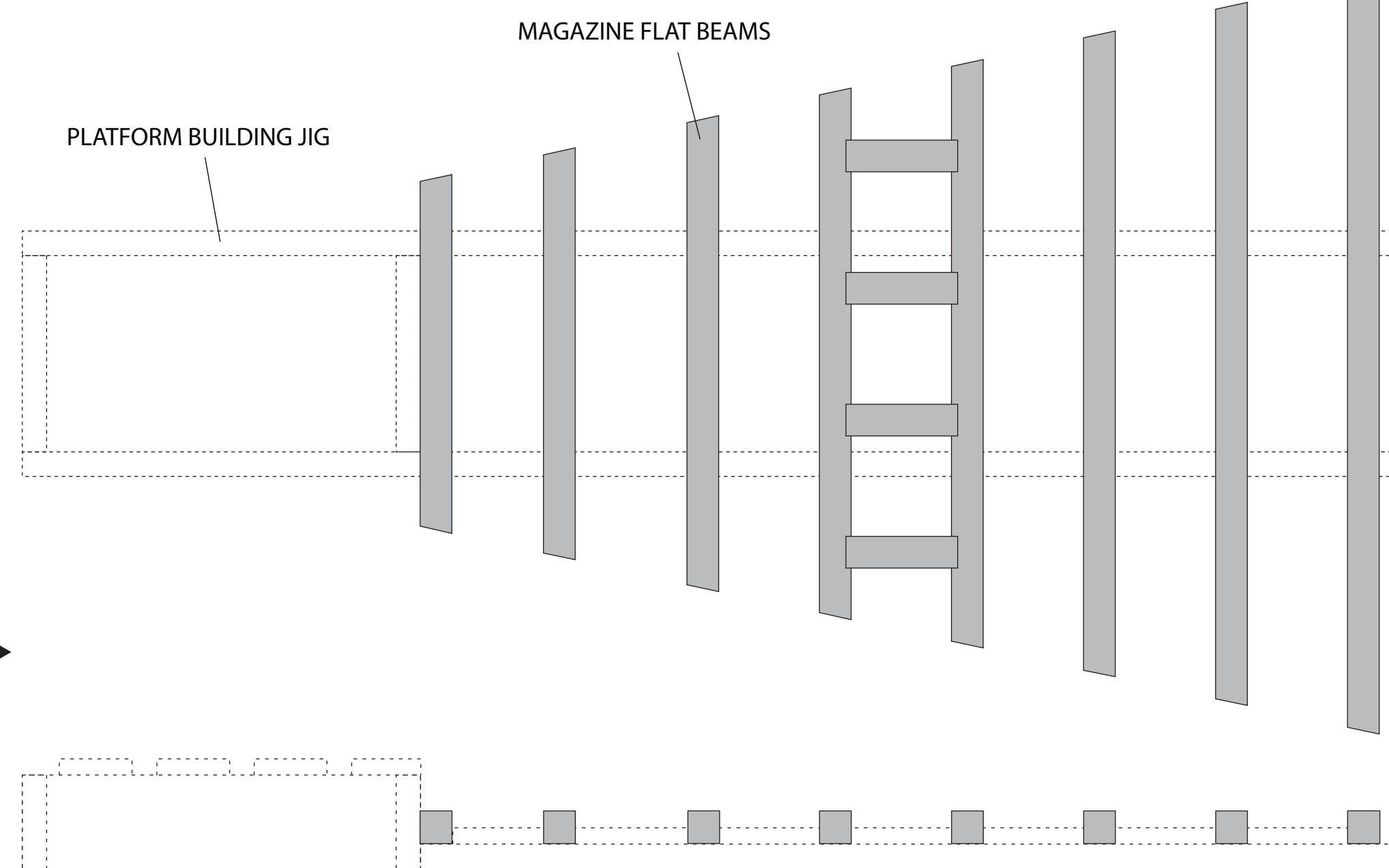
**PLATFORM BUILDING JIG**



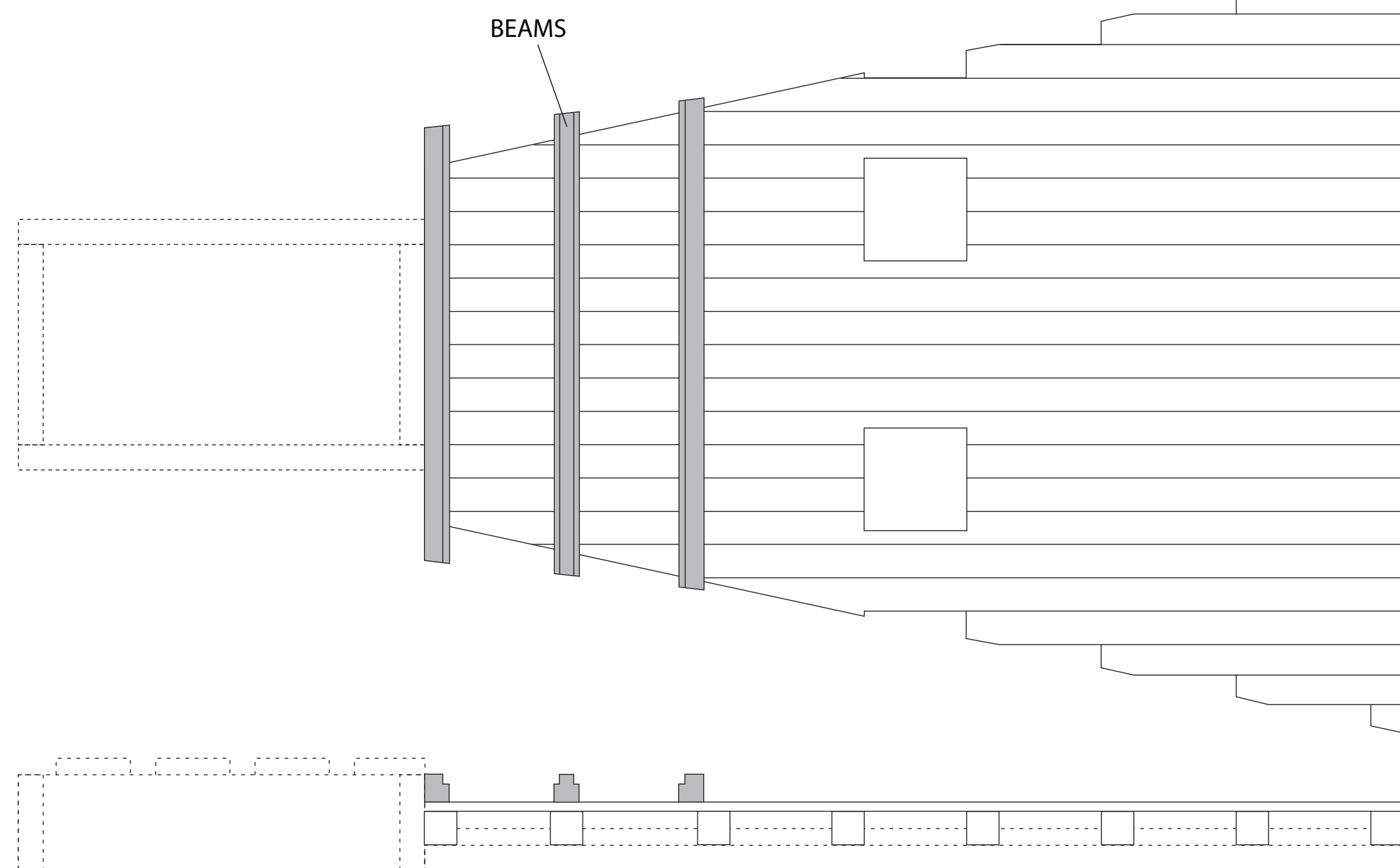
**PLATFORM**



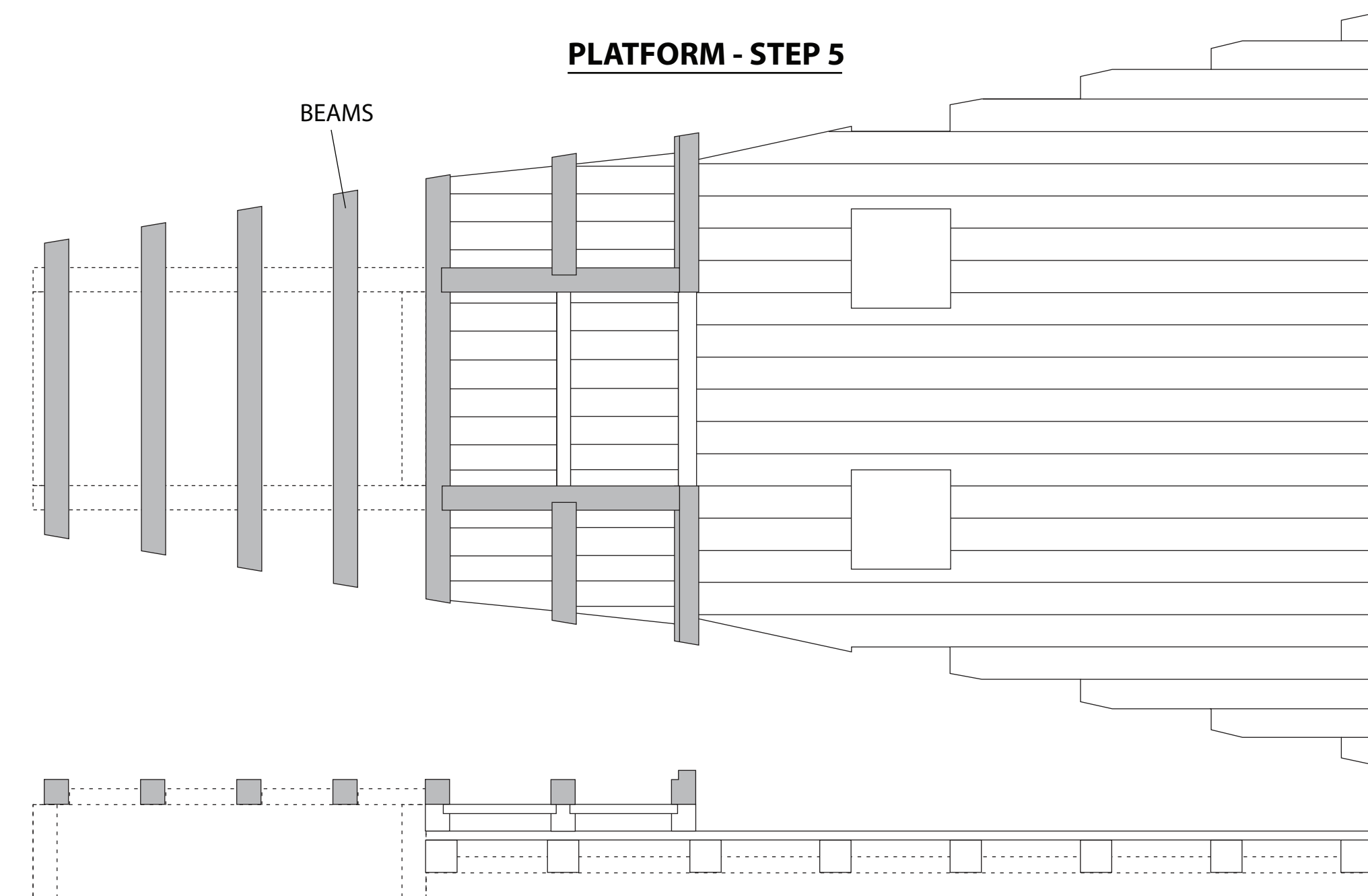
**PLATFORM - STEP 1**



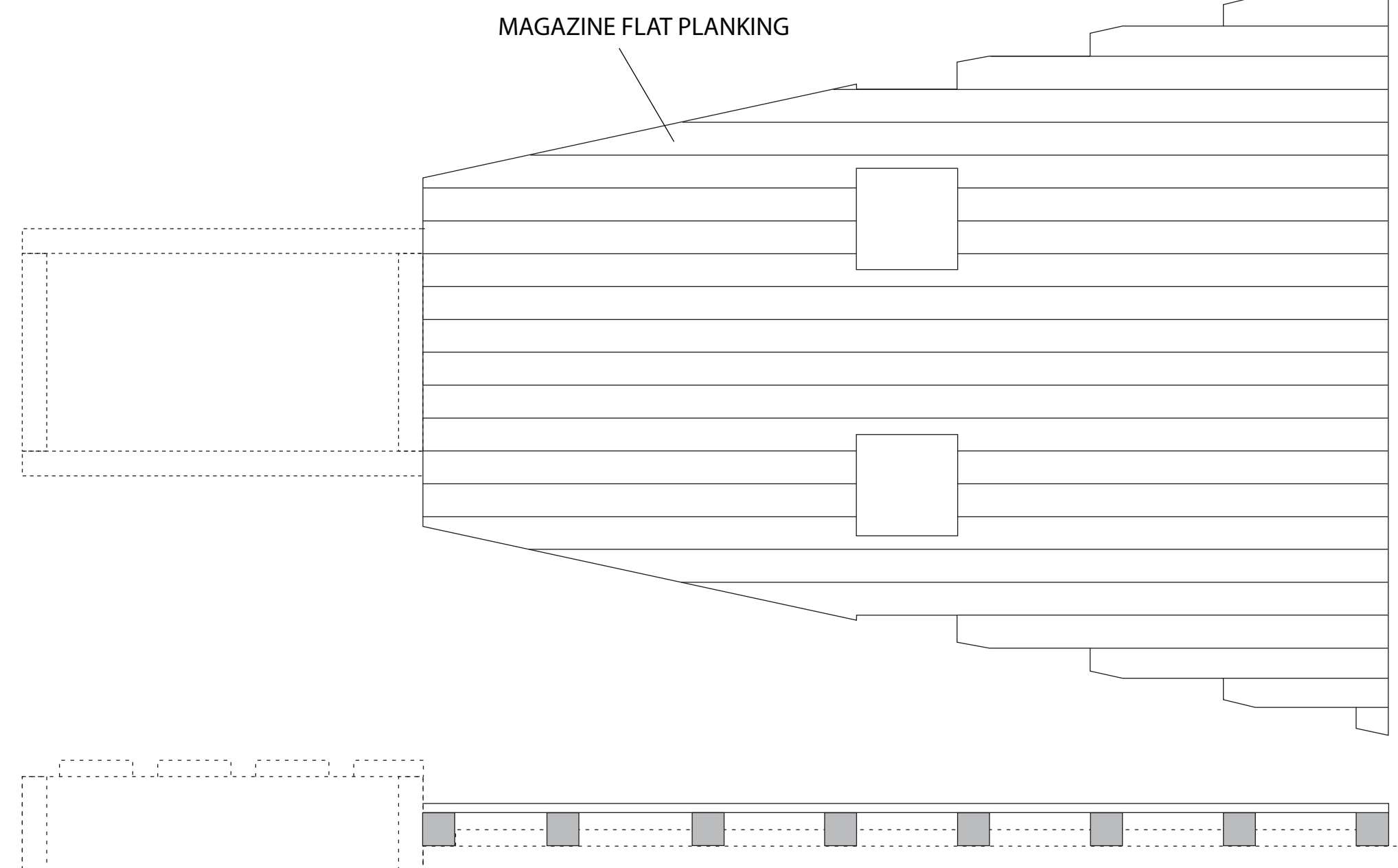
**PLATFORM - STEP 3**



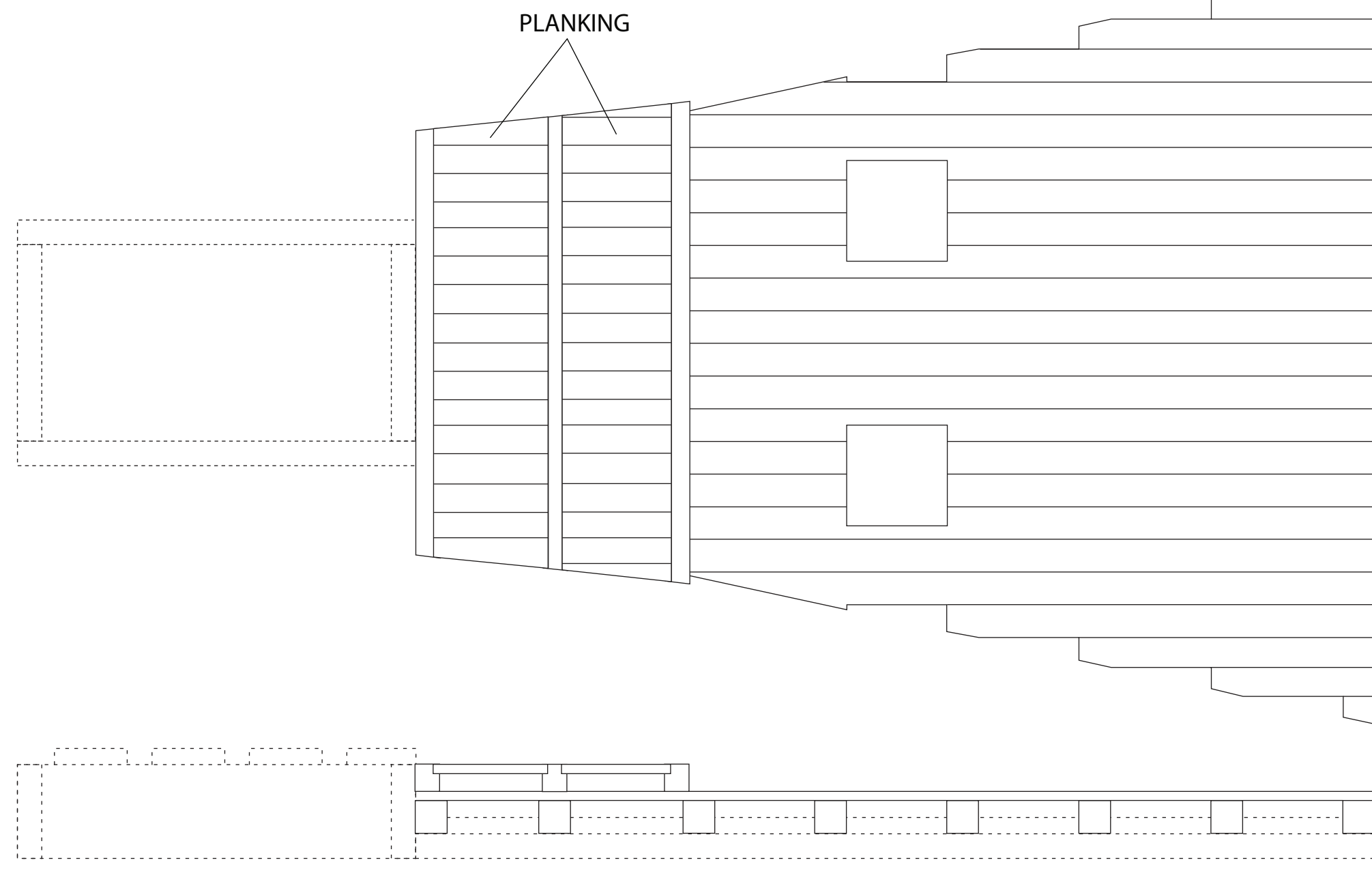
**PLATFORM - STEP 5**



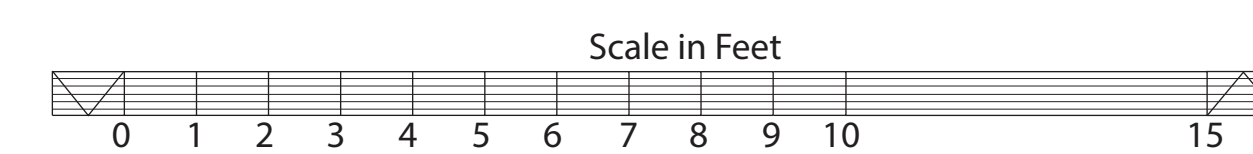
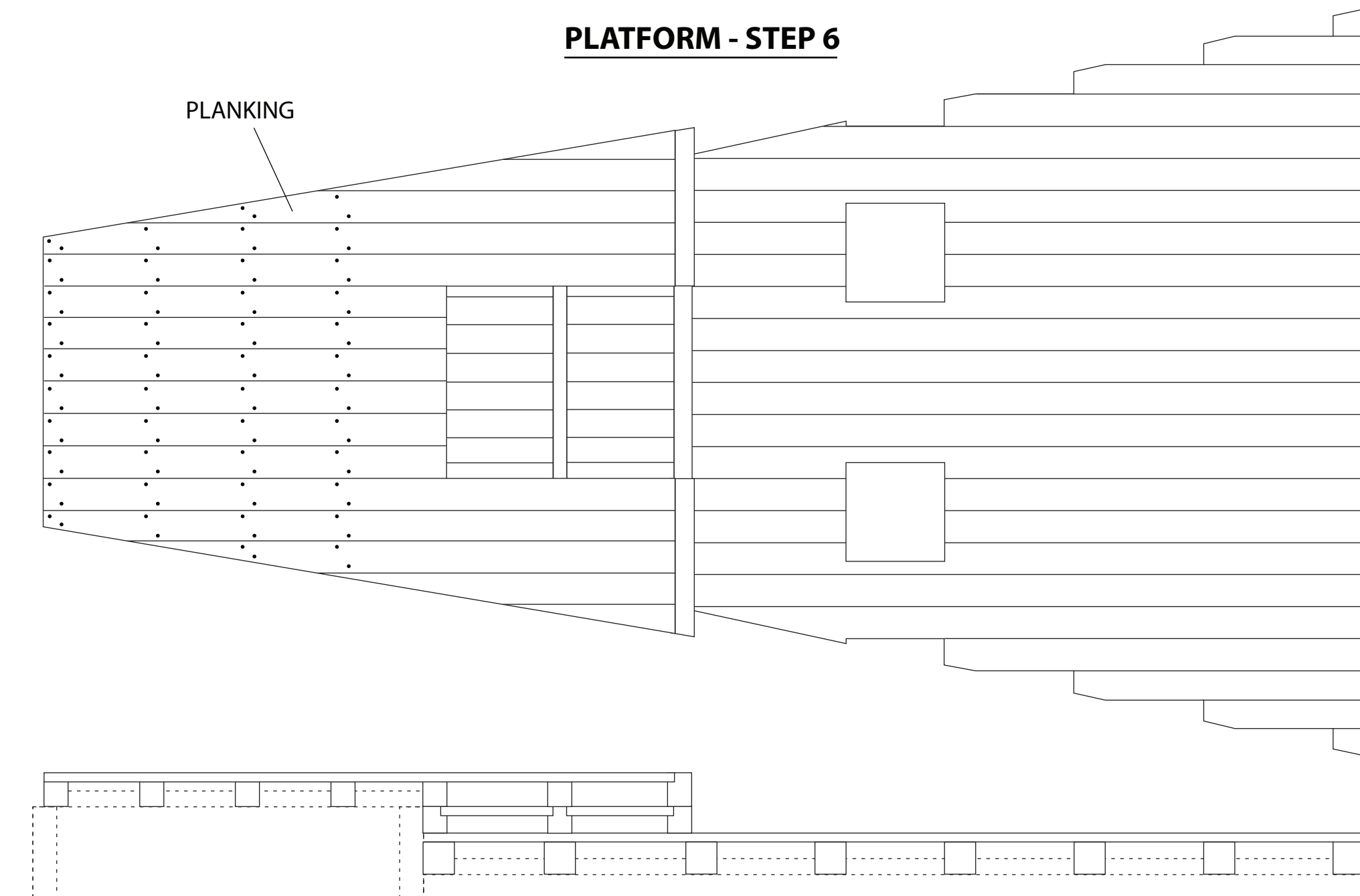
**PLATFORM - STEP 2**

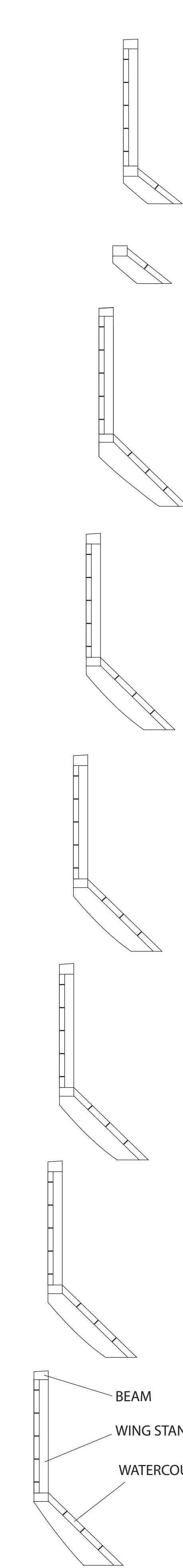
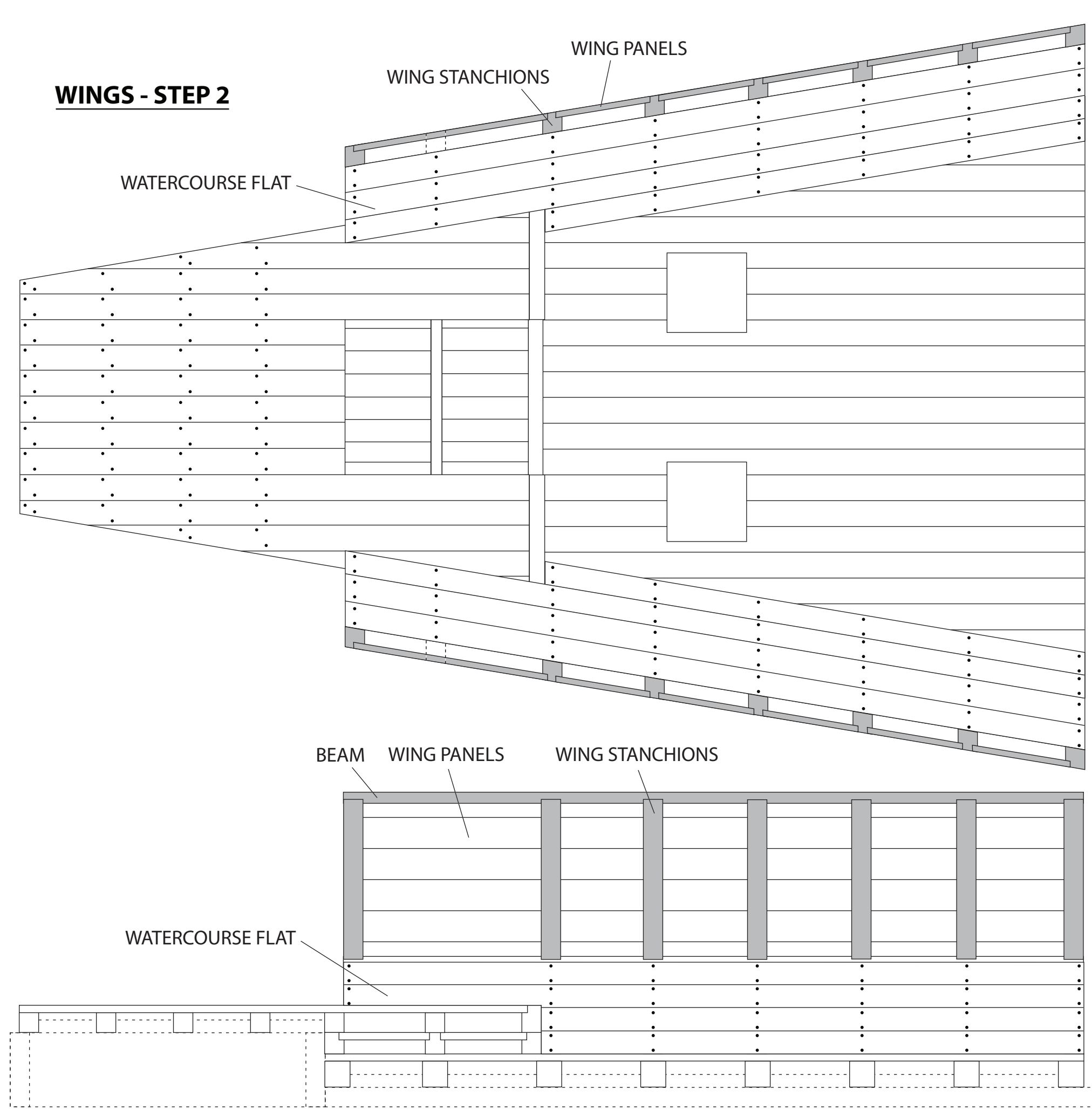
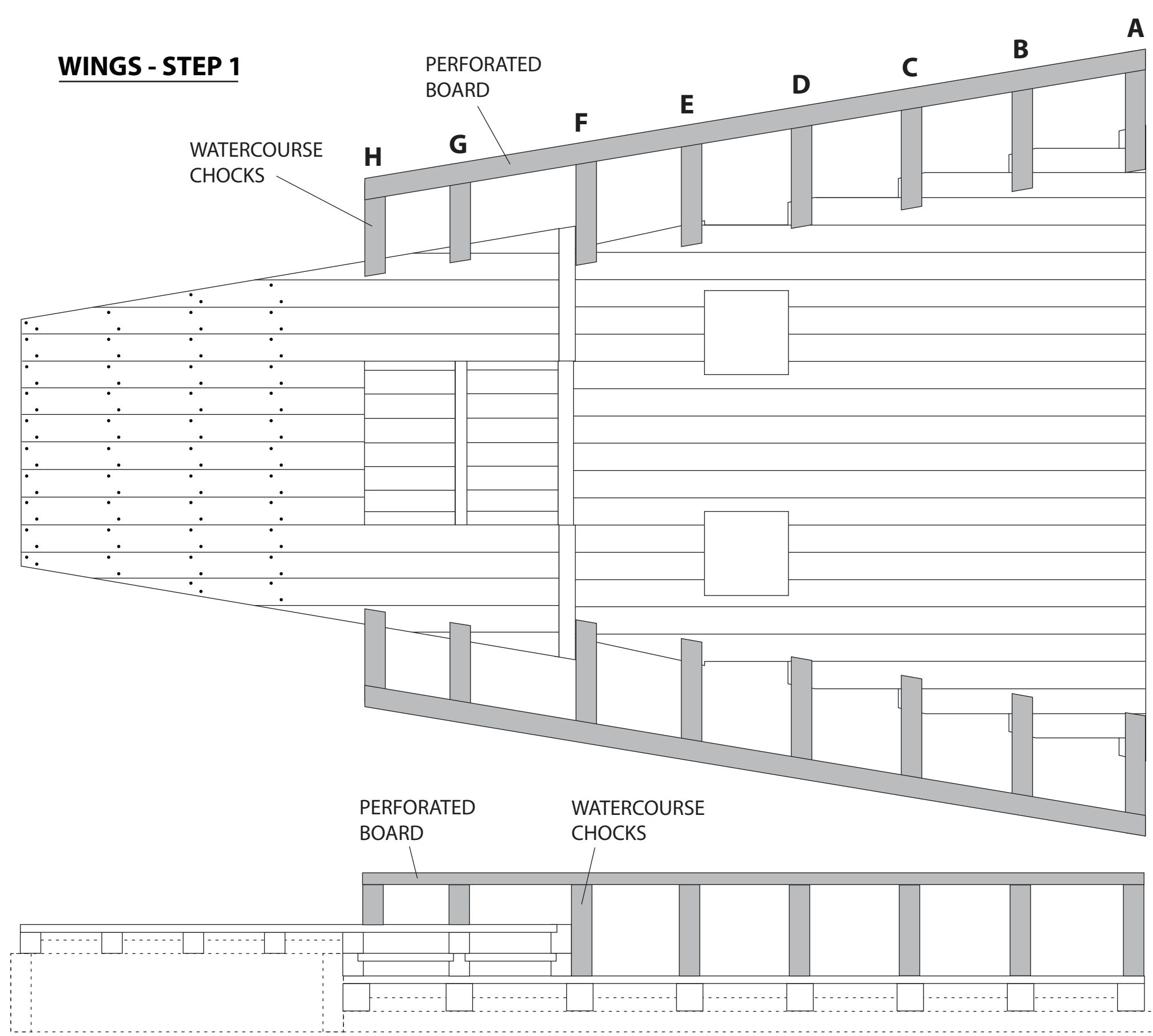


**PLATFORM - STEP 4**



**PLATFORM - STEP 6**





**WING DETAIL - H**

**WING DETAIL - G**

**WING DETAIL - F**

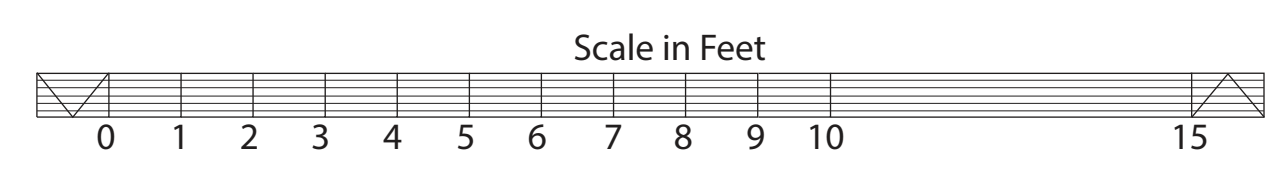
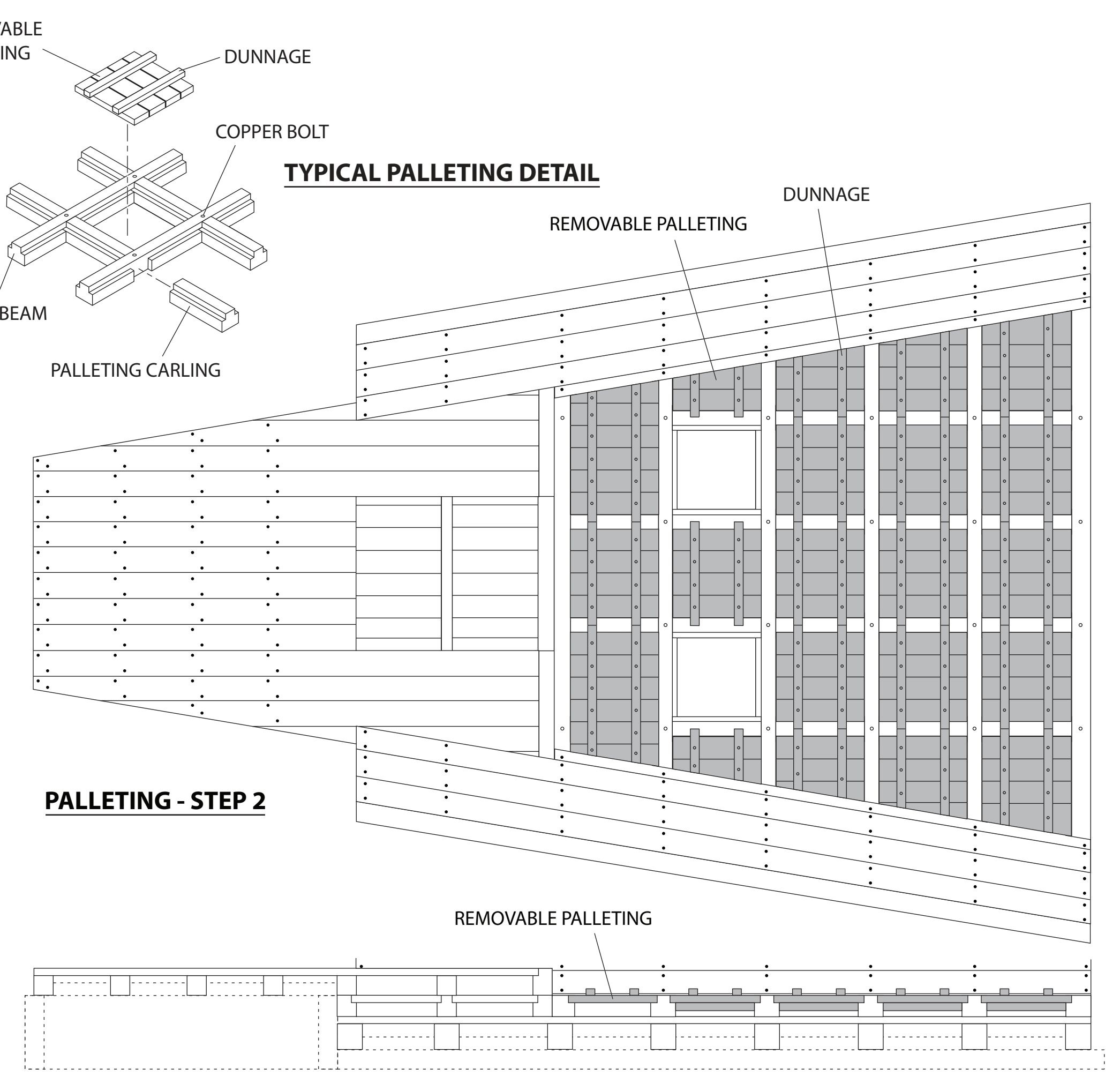
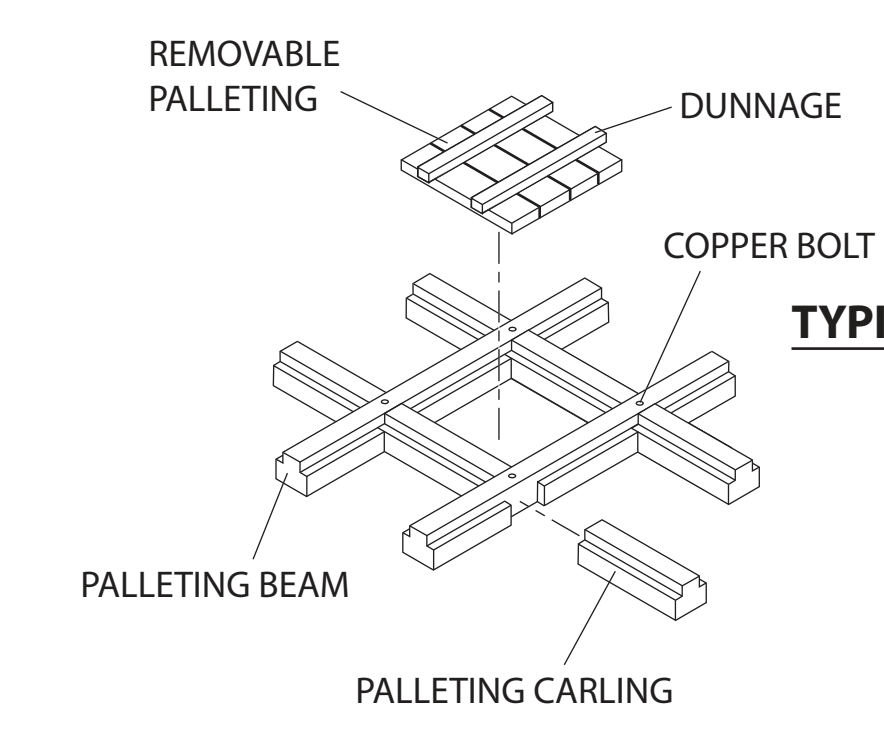
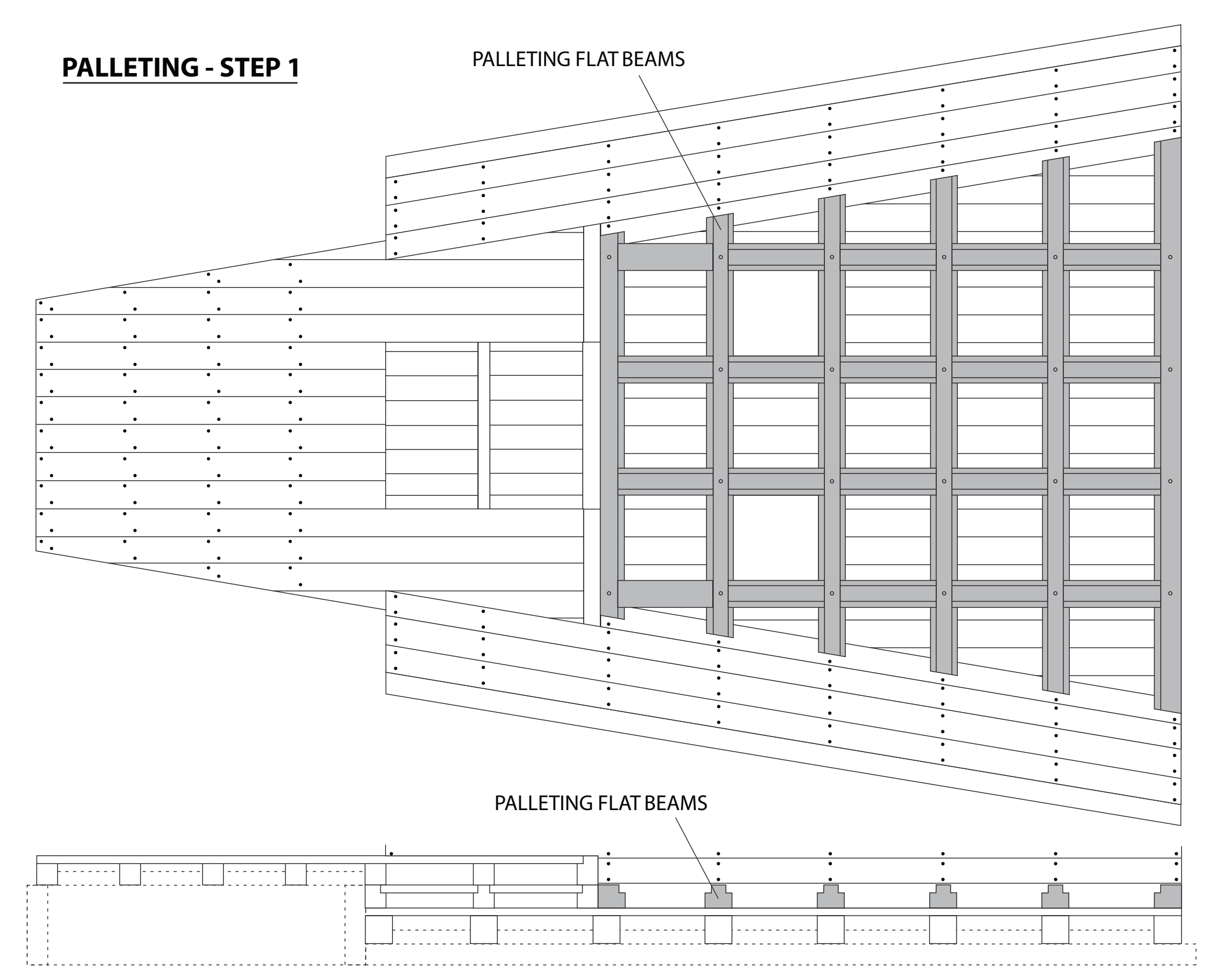
**WING DETAIL - E**

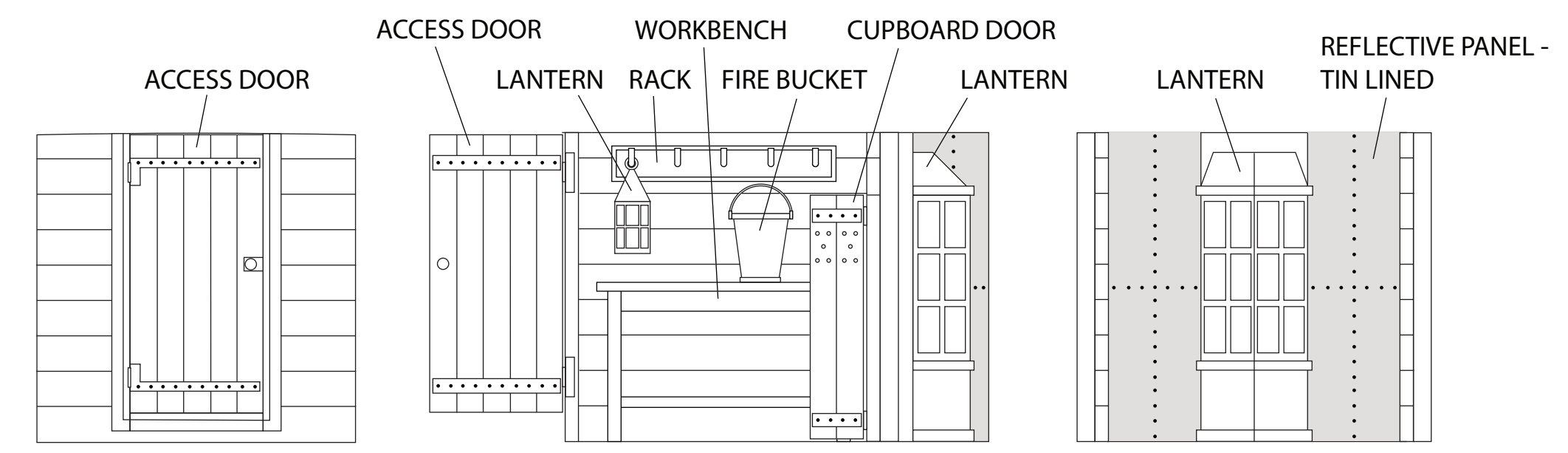
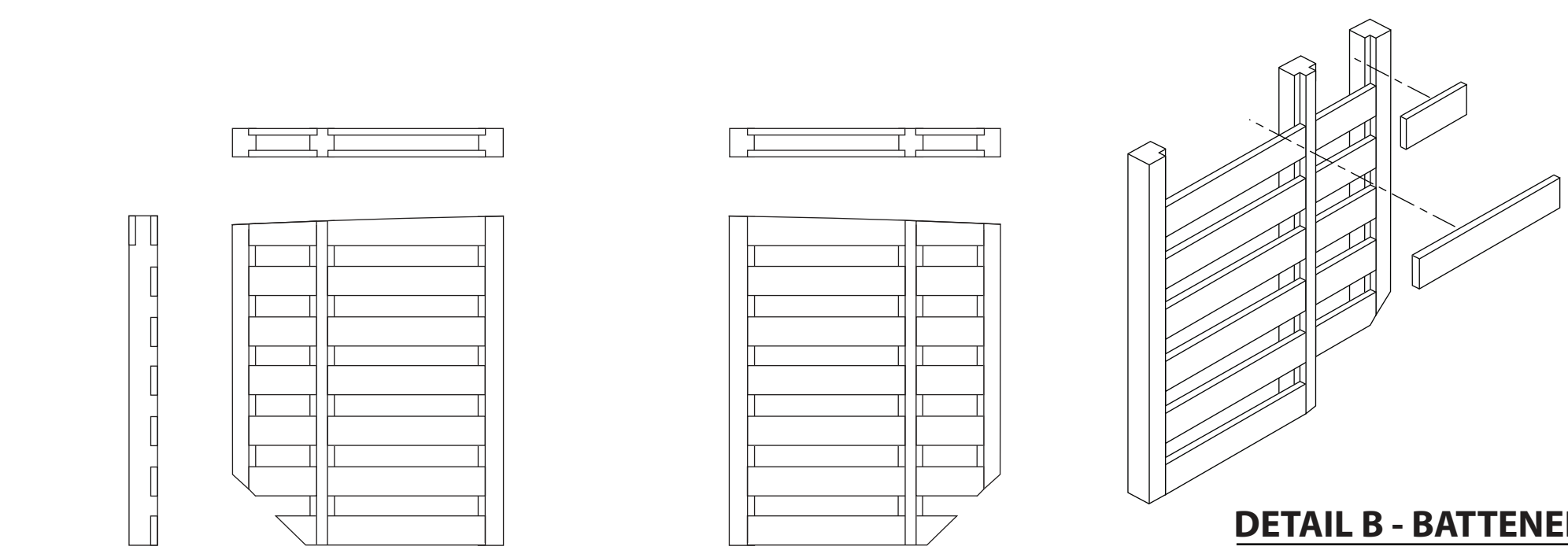
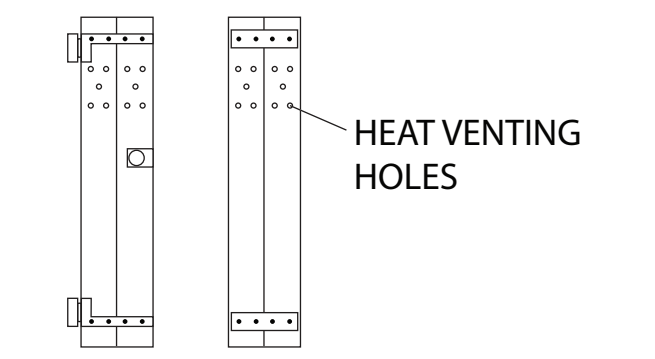
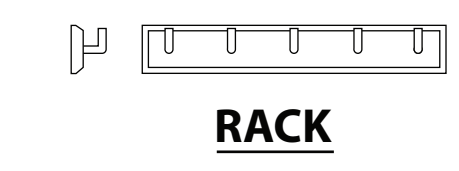
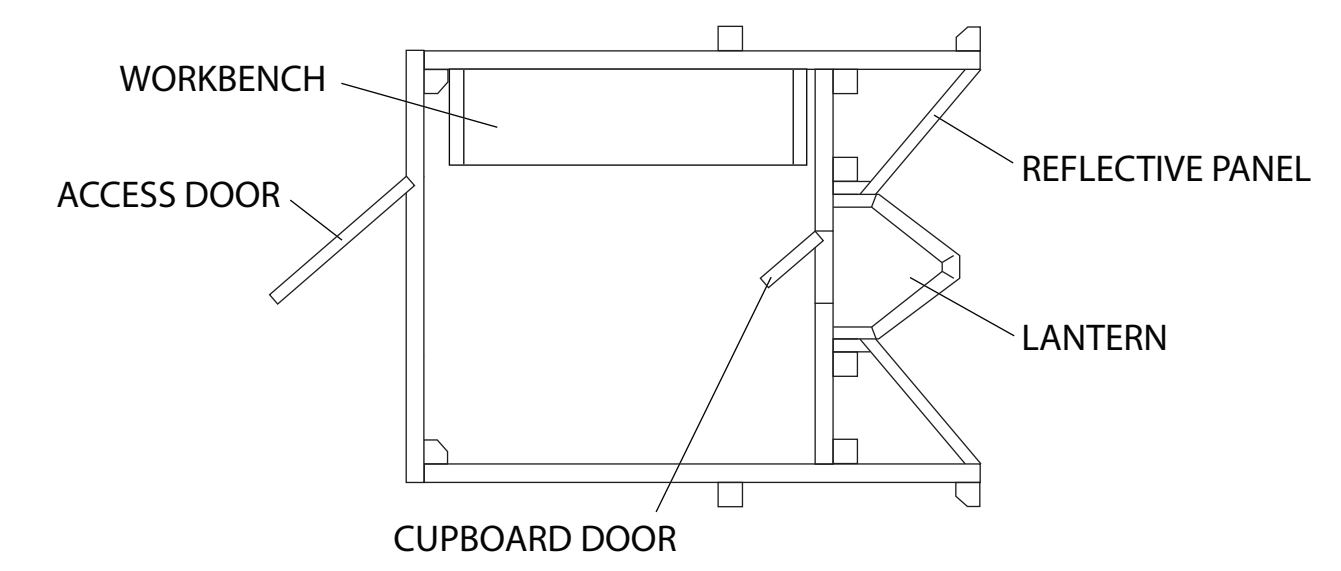
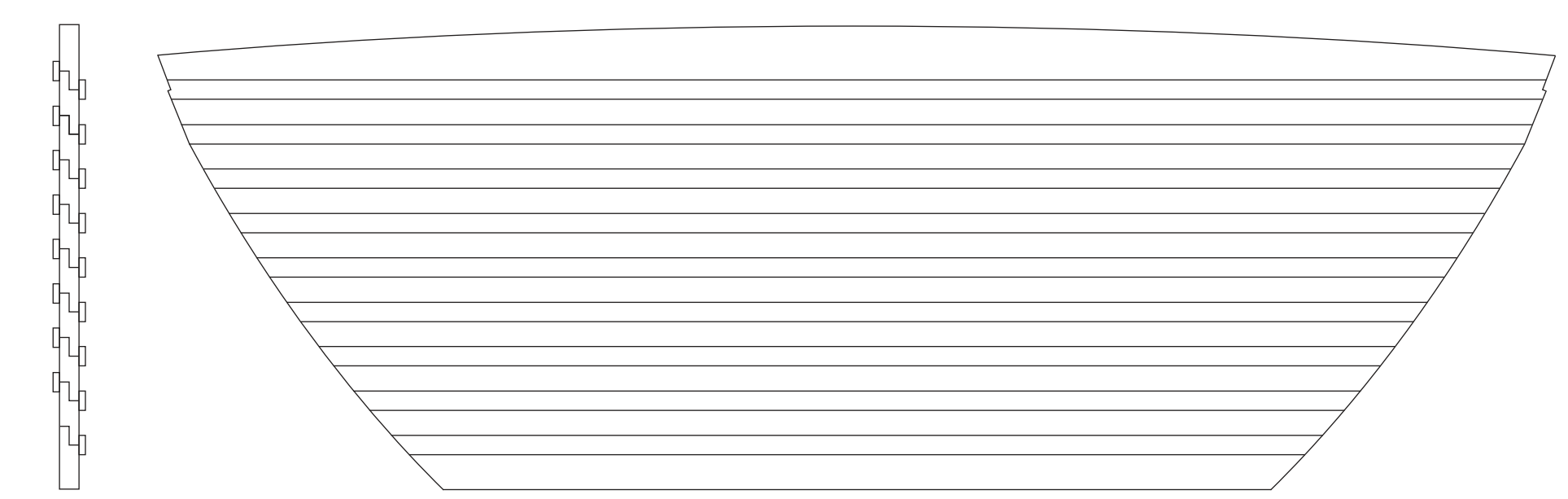
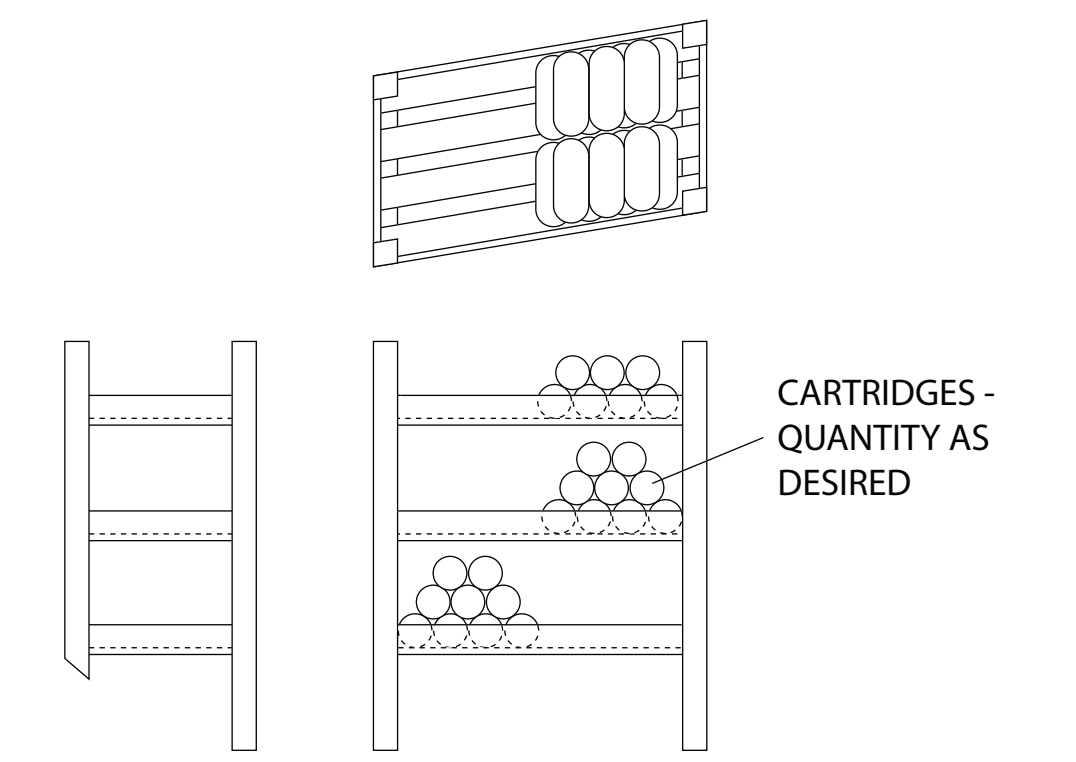
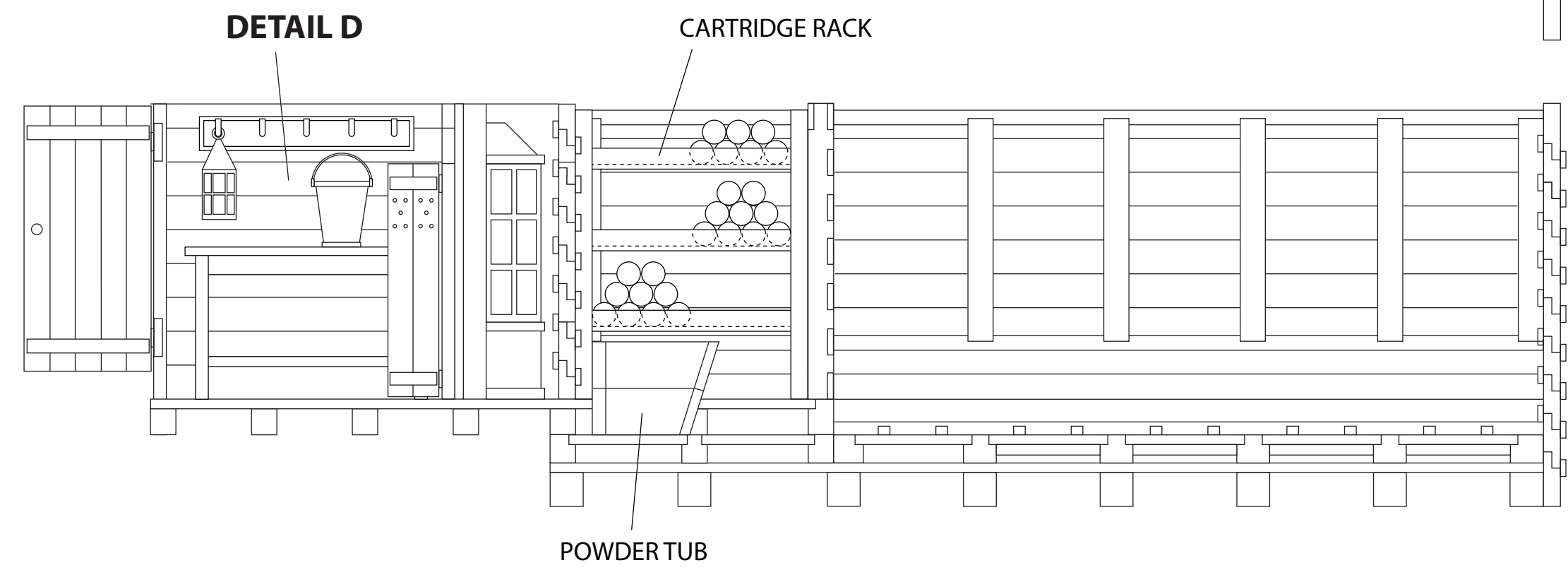
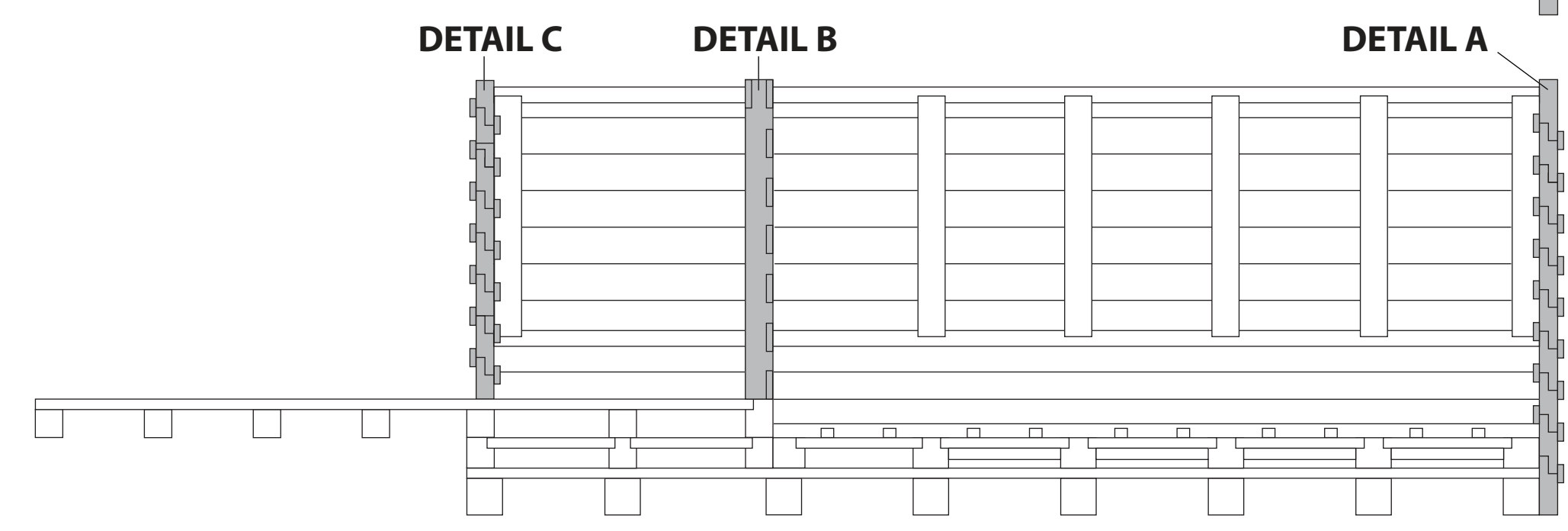
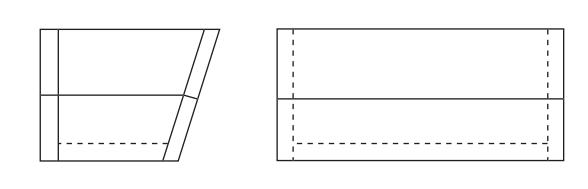
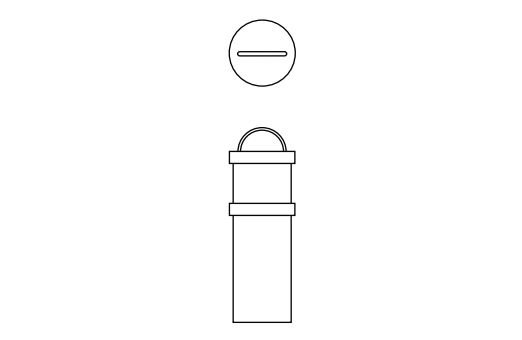
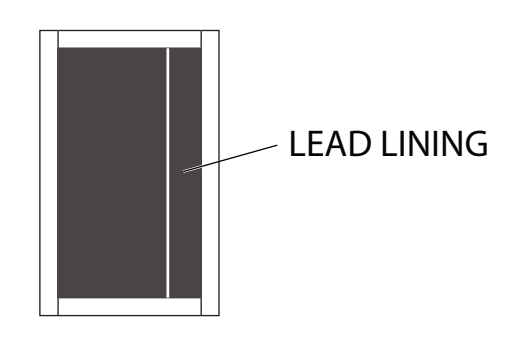
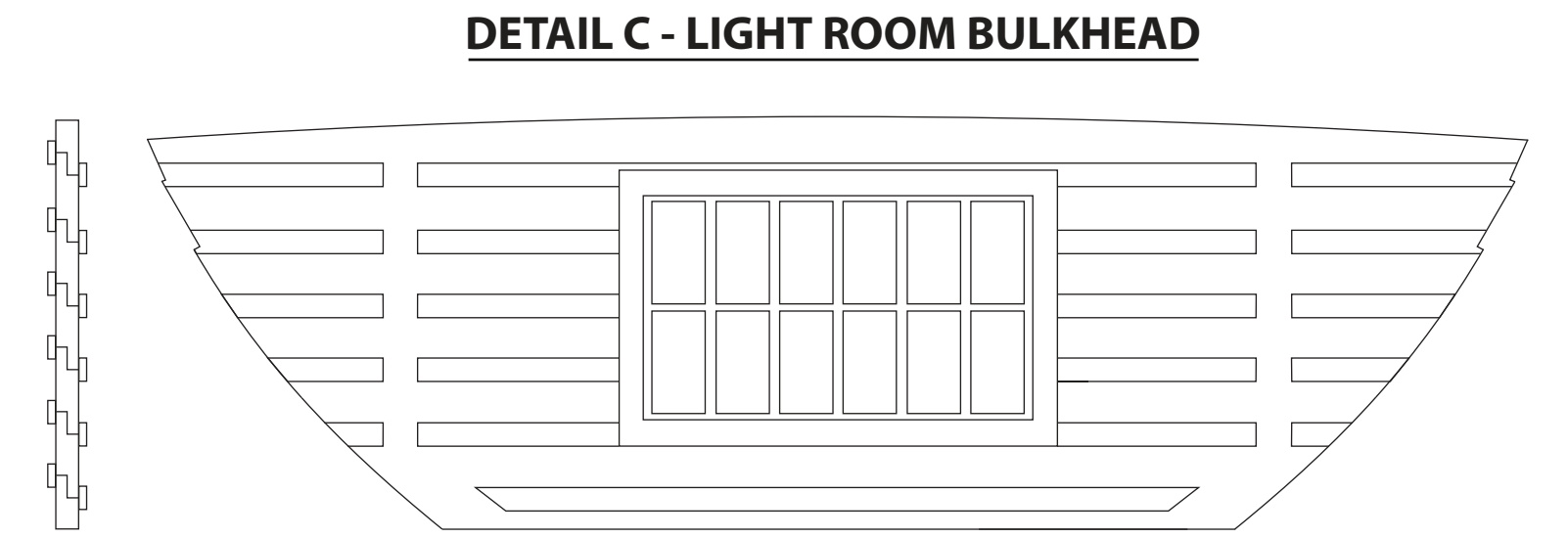
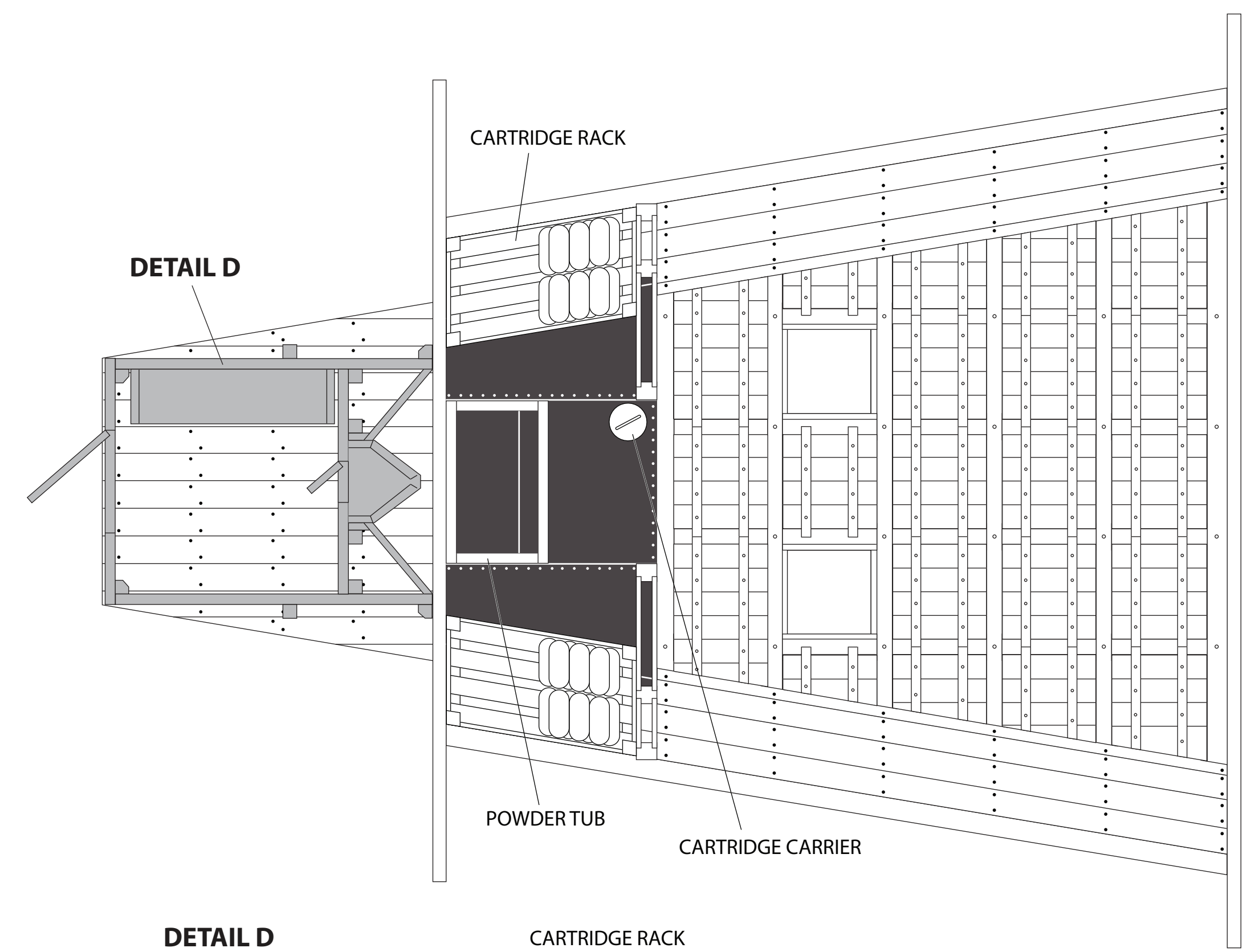
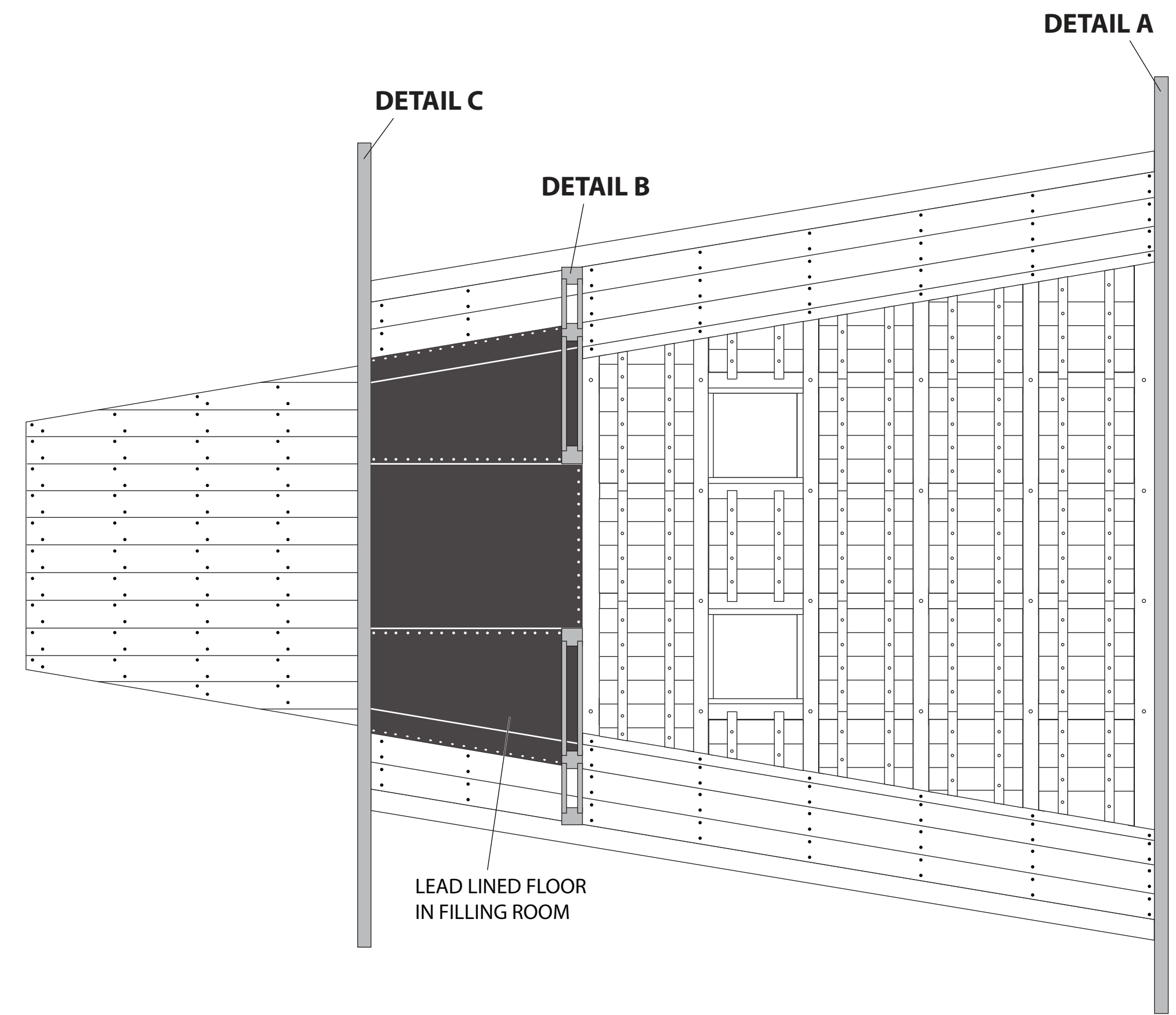
**WING DETAIL - D**

**WING DETAIL - C**

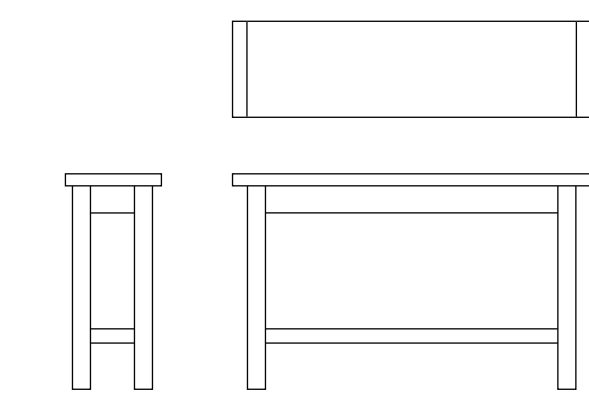
**WING DETAIL - B**

**WING DETAIL - A**

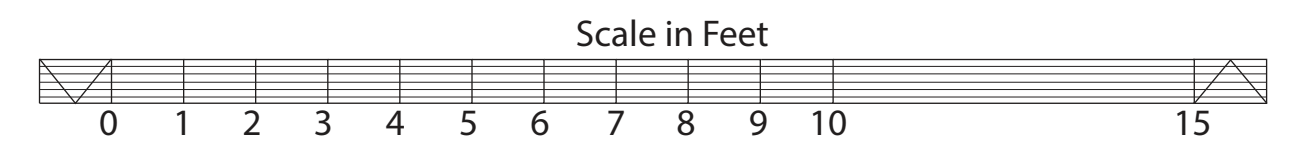


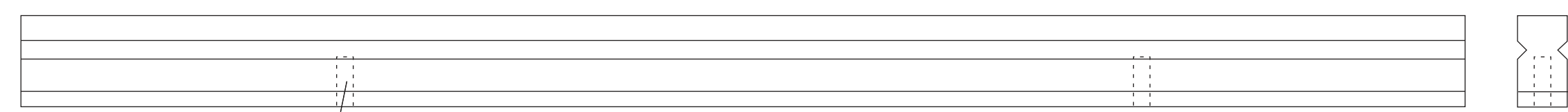
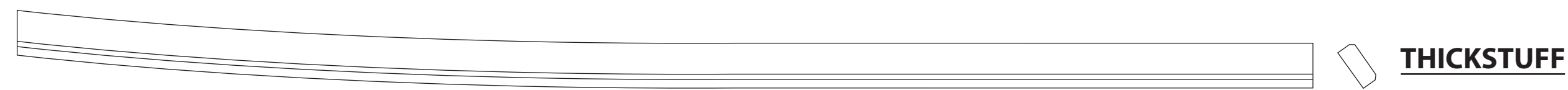
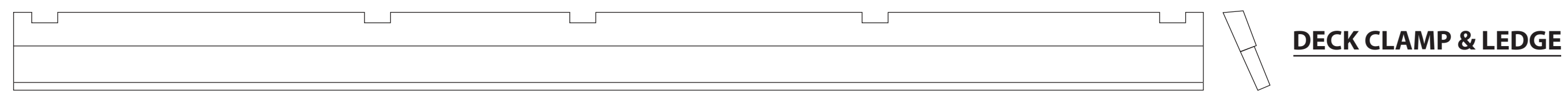


DETAIL D - LIGHT ROOM

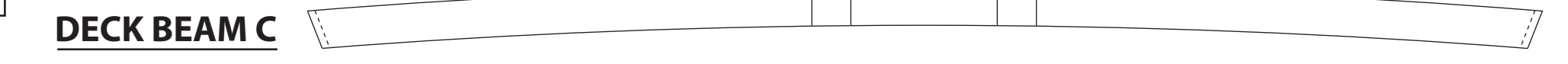
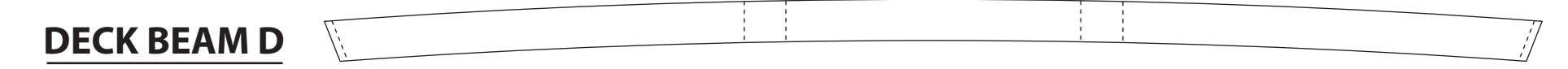
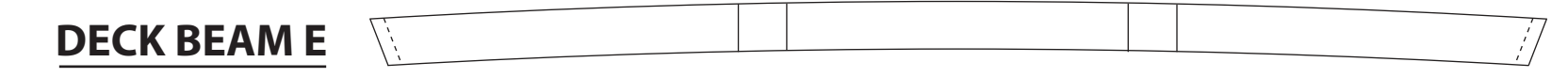


WORKBENCH





**NOTE**  
 Attach Deck Beams and Carlings after Magazine is Assembled onto Hull Framing  
 Check Deck Beam Configuration before Cutting Final Width



BLIND HOLE - 1/8" X 3/8" DEEP  
 USED TO MOUNT MAGAZINE  
 TO DISPLAY BASE

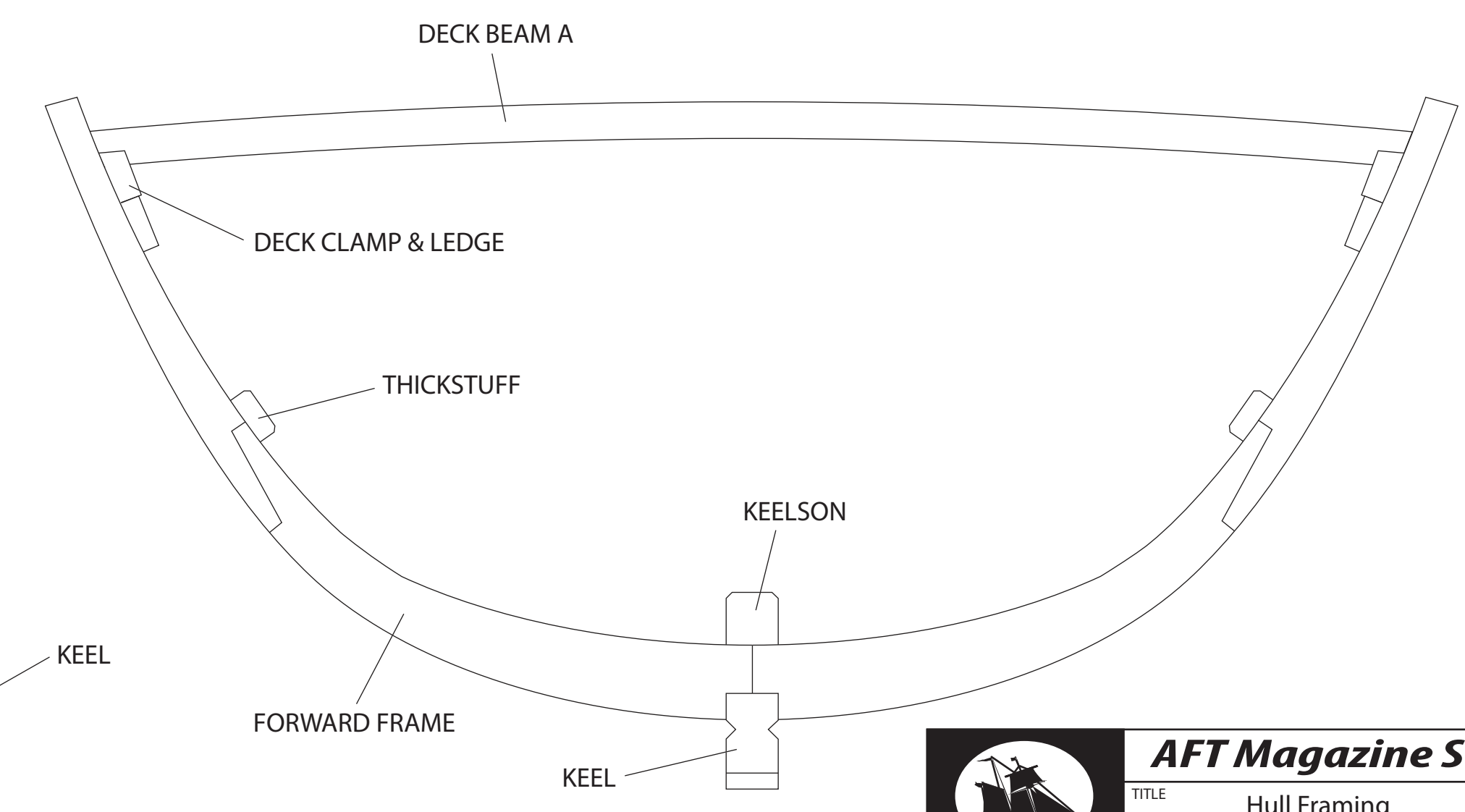
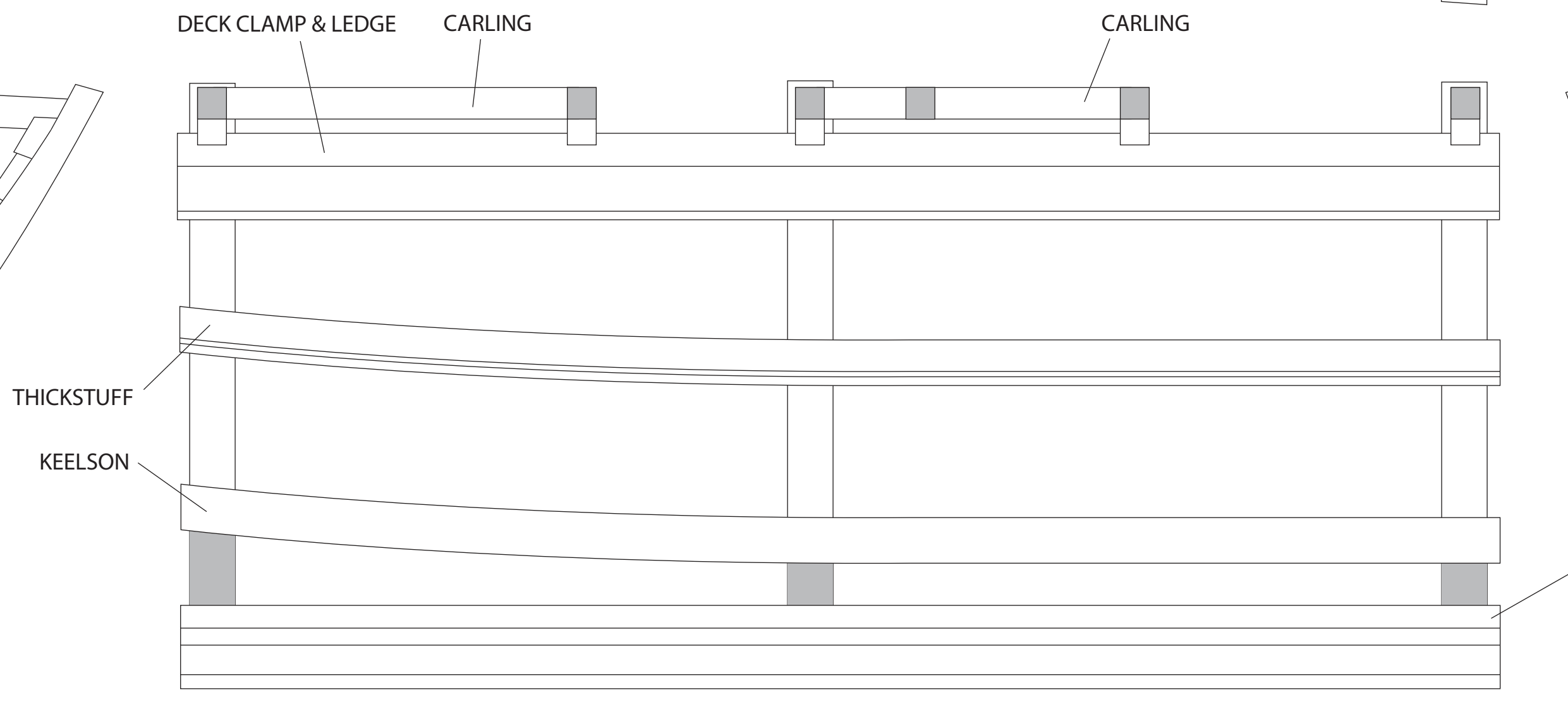
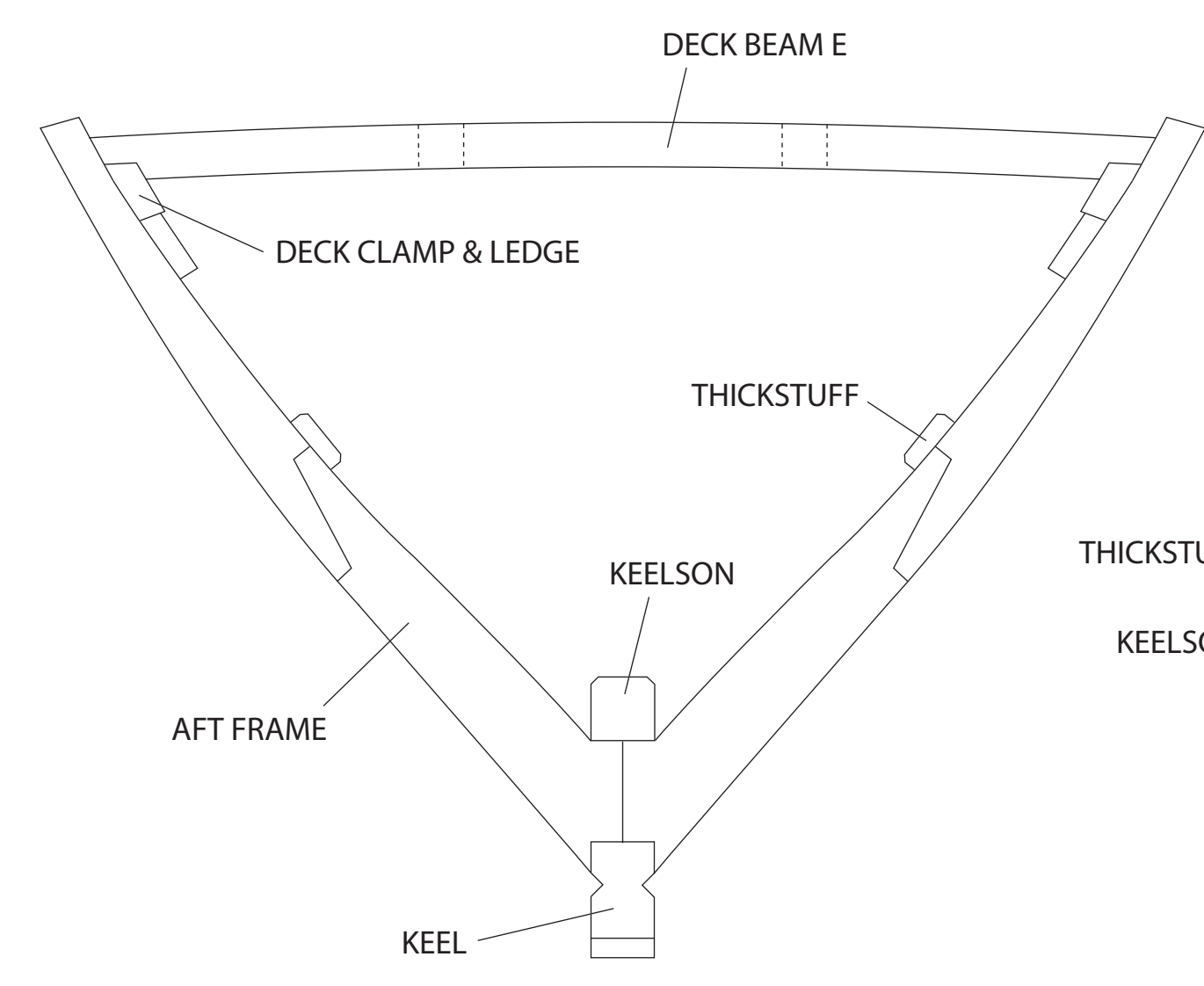
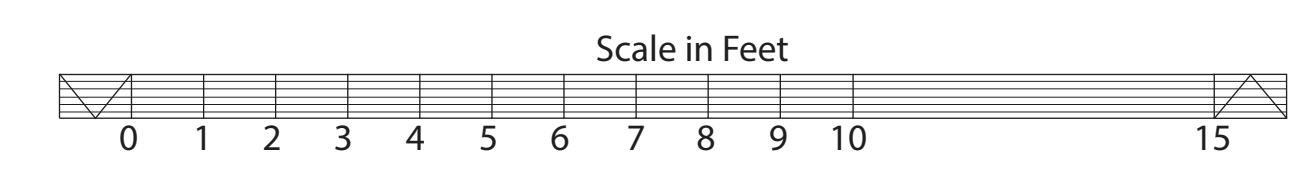
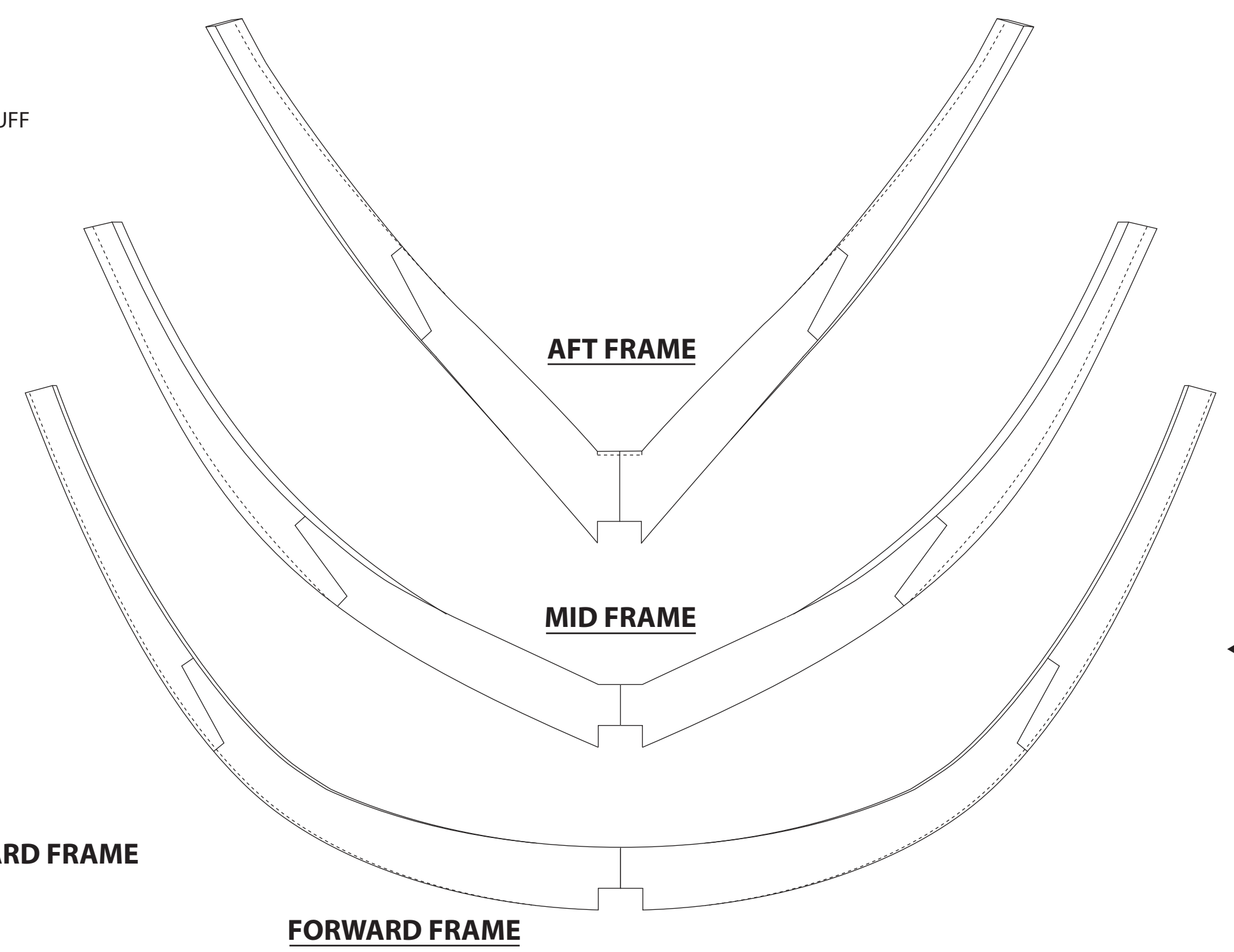
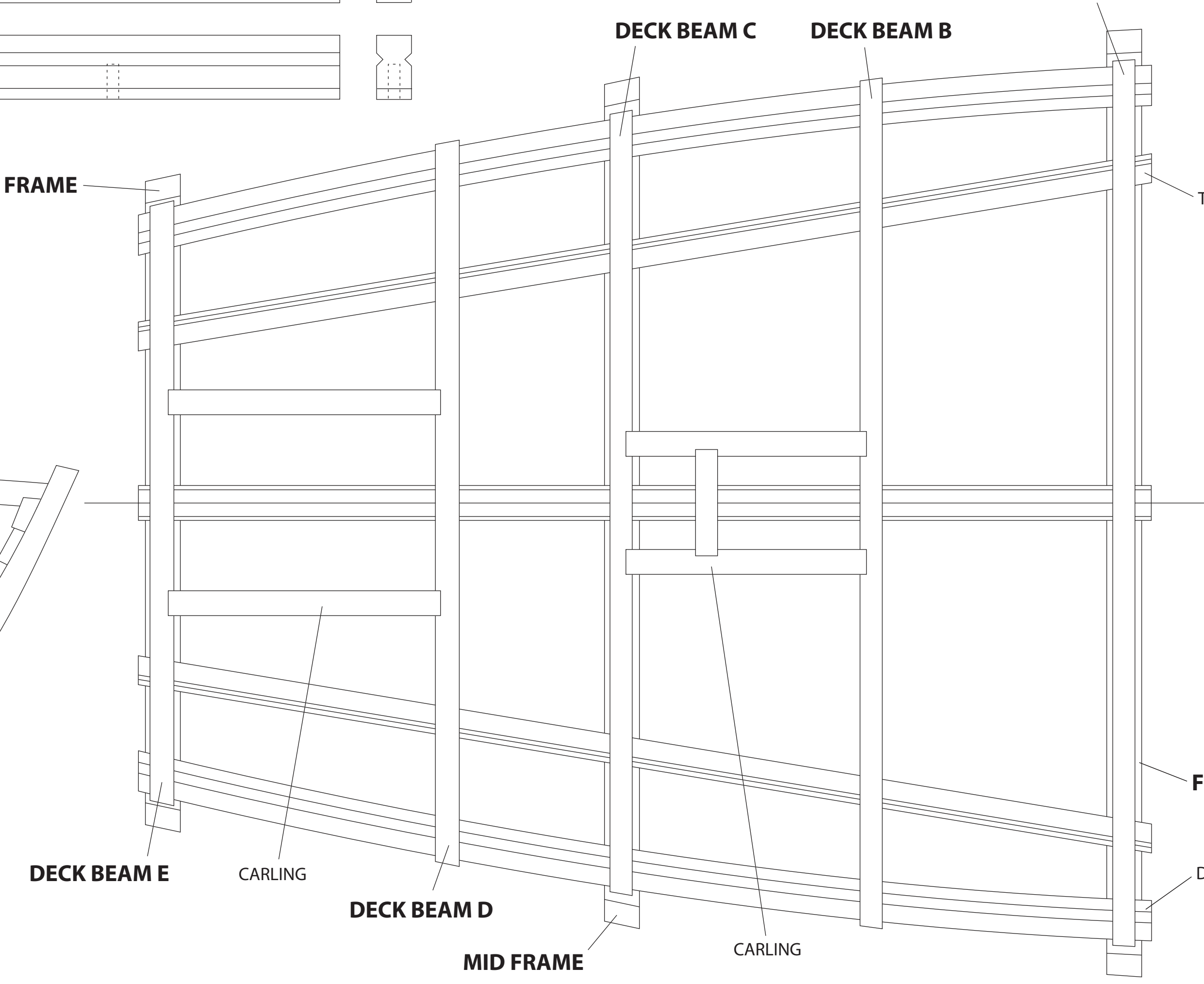
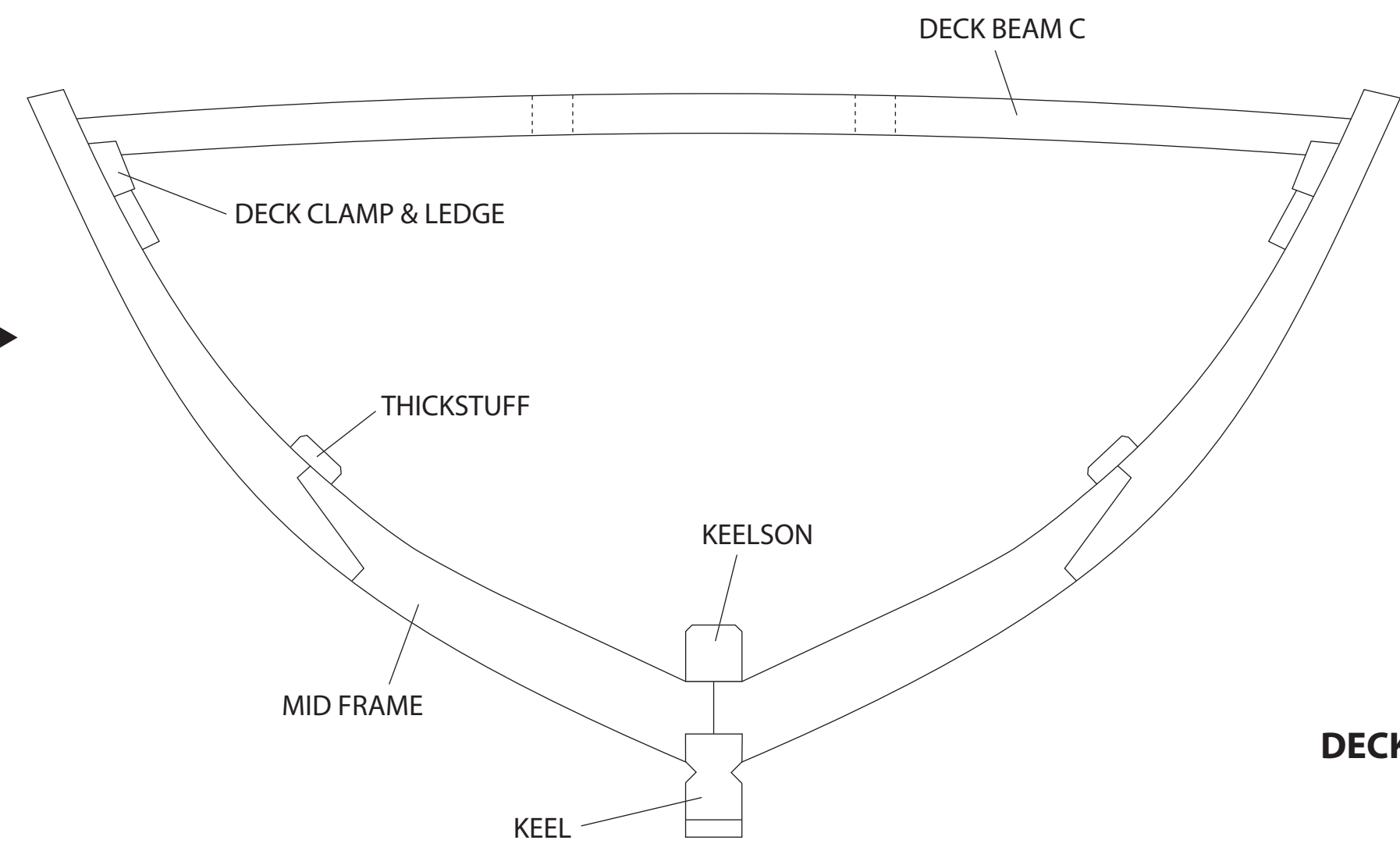
**AFT FRAME**

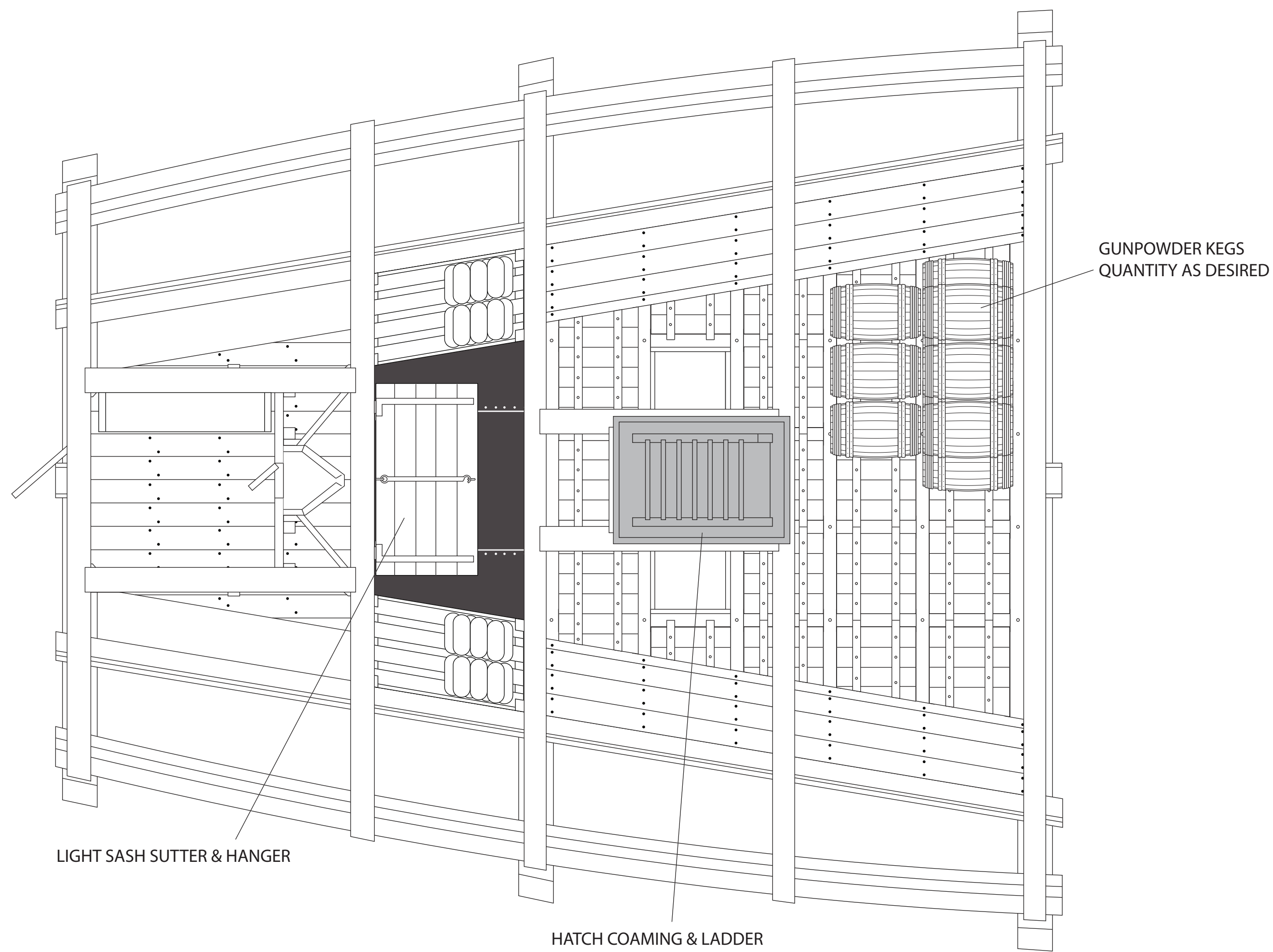
**DECK BEAM A**

**DECK BEAM C**

**DECK BEAM B**

**THICKSTUFF**

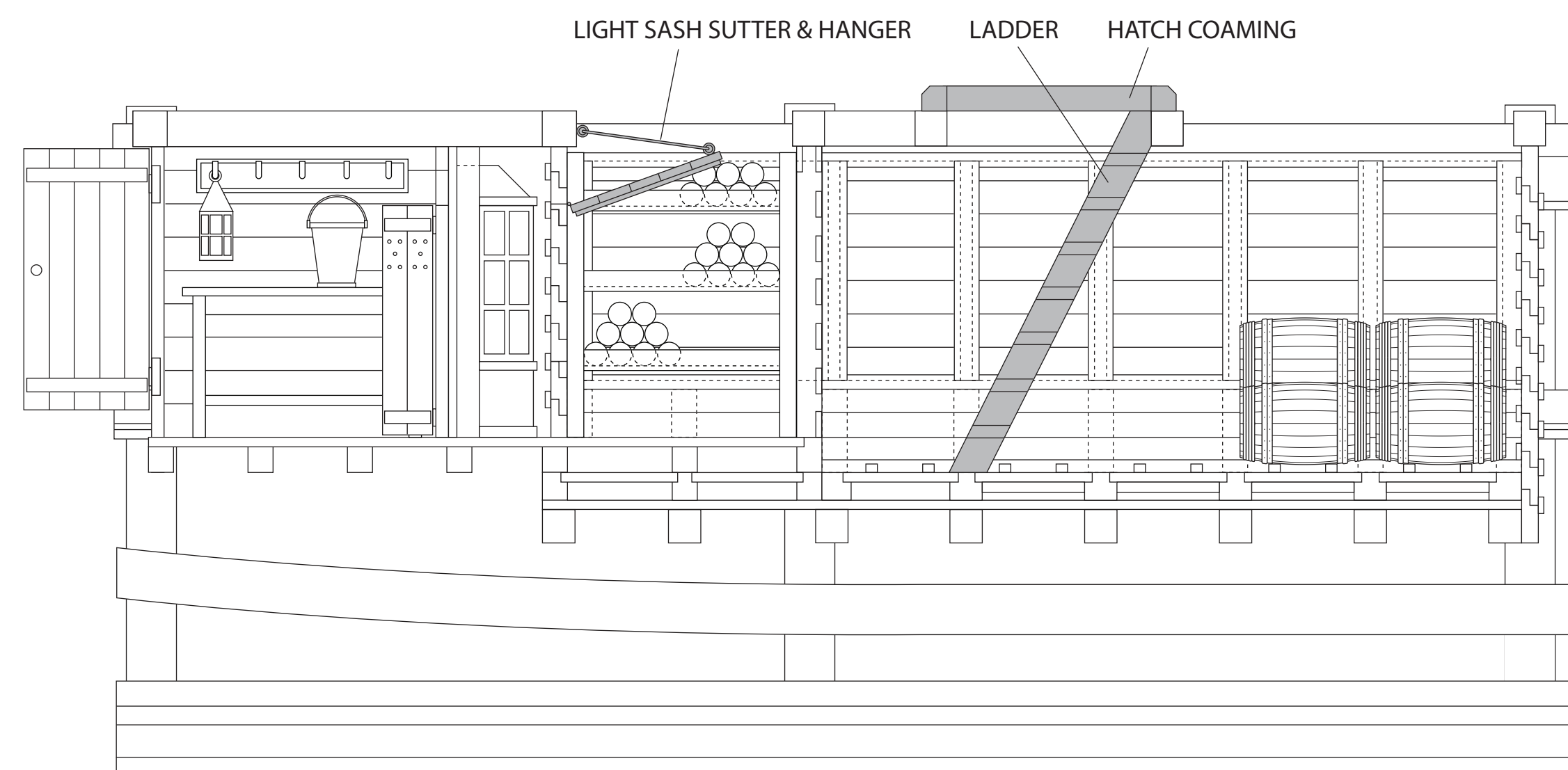




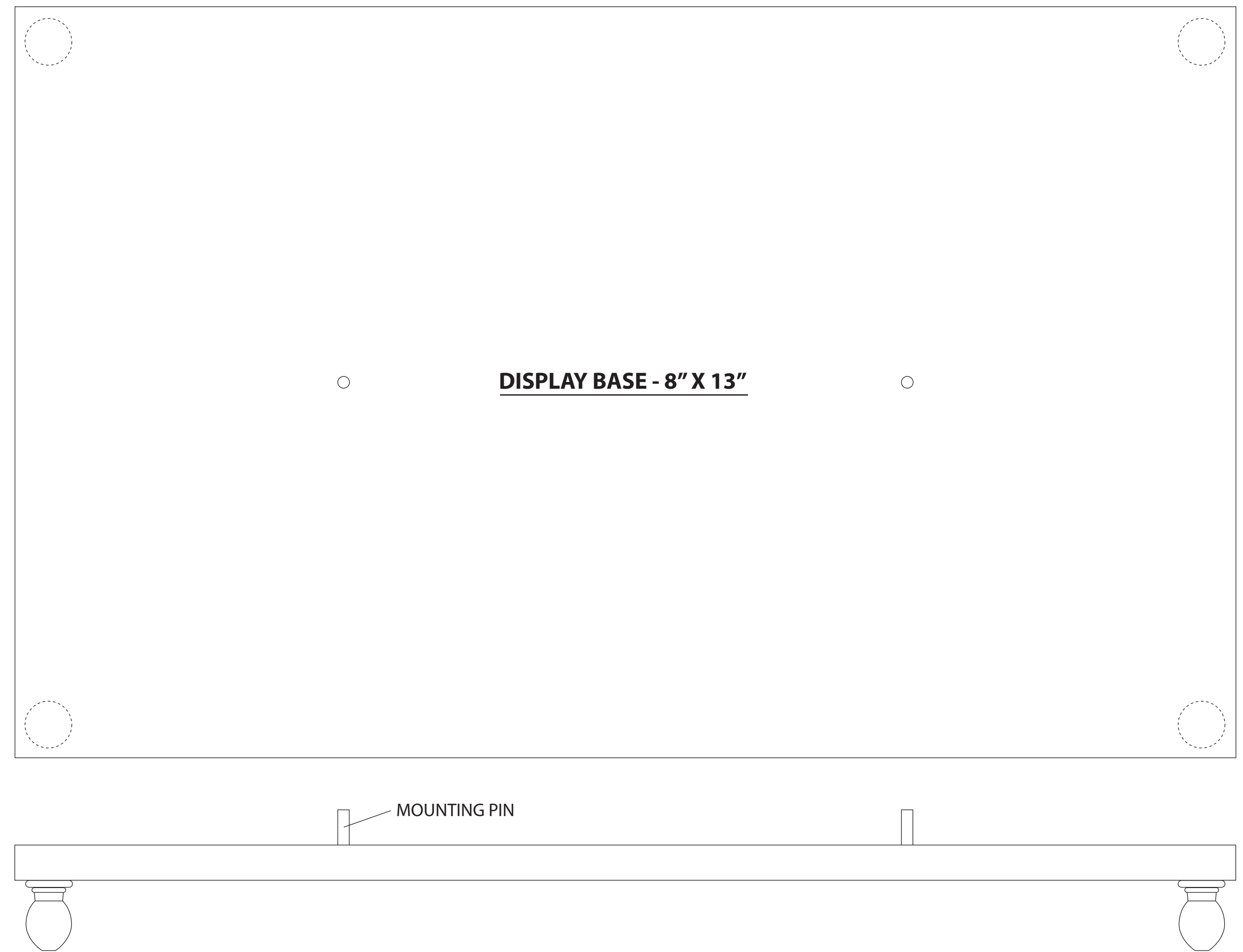
GUNPOWDER KEGS  
QUANTITY AS DESIRED

LIGHT SASH SHUTTER & HANGER

HATCH COAMING & LADDER

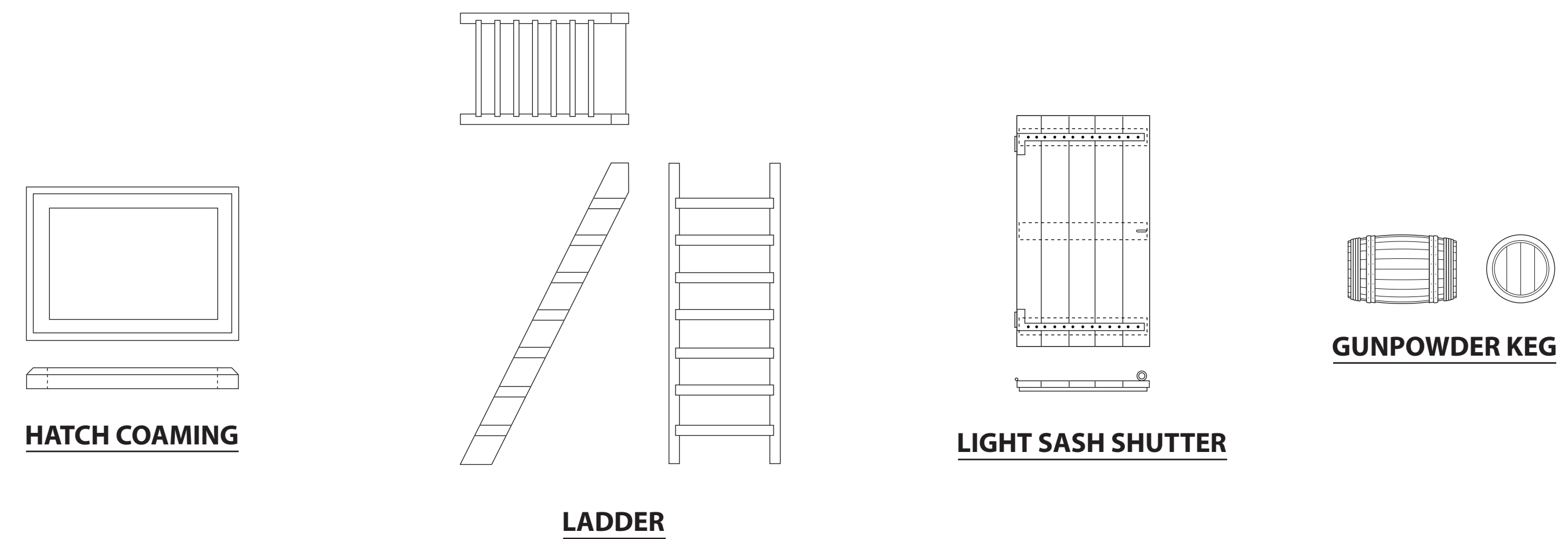


LIGHT SASH SHUTTER & HANGER LADDER HATCH COAMING



DISPLAY BASE - 8" X 13"

MOUNTING PIN



HATCH COAMING

LADDER

LIGHT SASH SHUTTER

GUNPOWDER KEG

